



VHN6730

MIXING CONSOLE

MG06X

MG06 Technical Specifications

General Specifications

0 dBu = 0.775 Vrms Output impedance of signal generator (Rs) = 150 Ω All level knobs are nominal if not specified.

Table with 3 columns: Parameter, Input/Output, and Value. Rows include Frequency Response, Total Harmonic Distortion, Hum&Noise, Crosstalk, Input Channels, Output Channels, Bus, Mono Input Channel Function, Level Meter, Internal Digital Effect, Phantom Power Voltage, Power Supply Adaptor, Power Consumption, Dimensions, Net Weight, Optional Accessory, Included Accessory, and Operating Temperature.

*1 Noise is measured with A-weighting filter. *2 Crosstalk is measured with 1 kHz band pass filter.

*3 For information on available third-party accessories, please refer to the Yamaha Pro Audio website. https://www.yamahaproaudio.com/

Analog Input Characteristics

Table with 9 columns: Input Jacks, PAD 26 dB, GAIN Trim, Actual Load Impedance, For Use With Nominal, Input level (Sensitivity, Nominal, Max. before clip), and Connector. Rows include MIC/LINE 1/L,2/R and LINE 3/4, 5/6.

Analog Output Characteristics

Table with 6 columns: Output Jacks, Actual Source Impedance, For Use With Nominal, Output level (Nominal, Max. before clip), and Connector. Rows include STEREO OUT L, R and PHONES.

0dBu is referenced to 0.775Vrms.

*1 Sensitivity is the lowest level that will produce an output of +4 dBu (1.228 V) or the nominal output level when the unit is set to maximum gain. (All level knobs are at their maximum position.)

*2 1&Sleeve = Ground, 2&Tip = Hot, 3&Ring = Cold

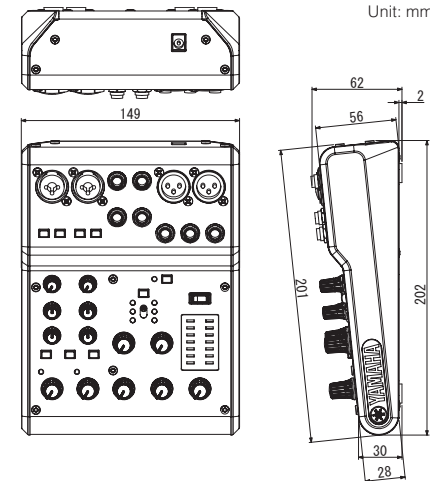
*3 Tip = Signal, Sleeve = Ground

*4 1 = Ground, 2 = Hot, 3 = Cold

*5 Tip = Hot, Ring = Cold, Sleeve = Ground

Dimensions

The illustration shows the MG06X.



* The contents of this manual apply to the latest specifications as of the publishing date. To obtain the latest manual, access the Yamaha website then download the manual file.

Block and Level Diagrams

