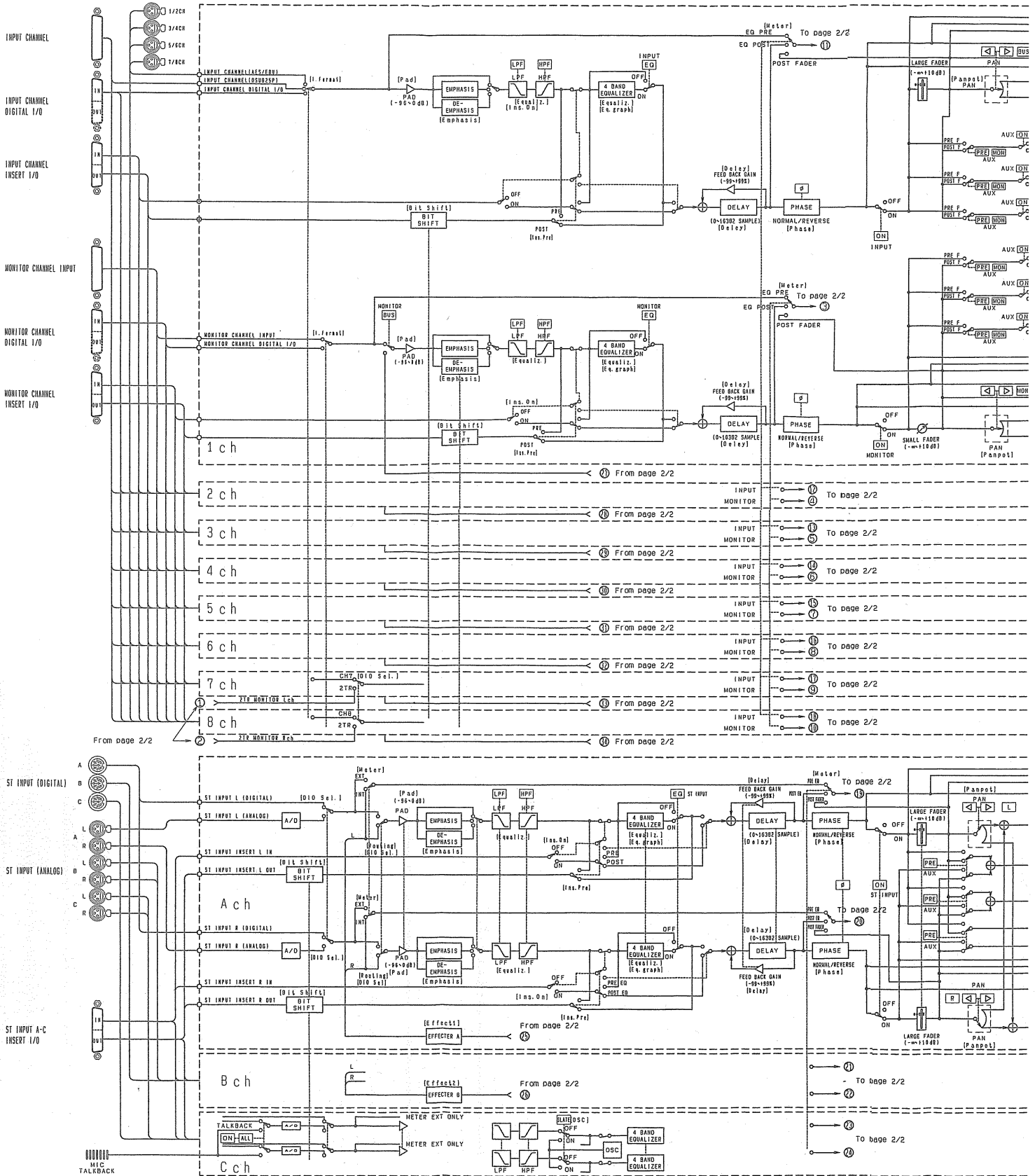


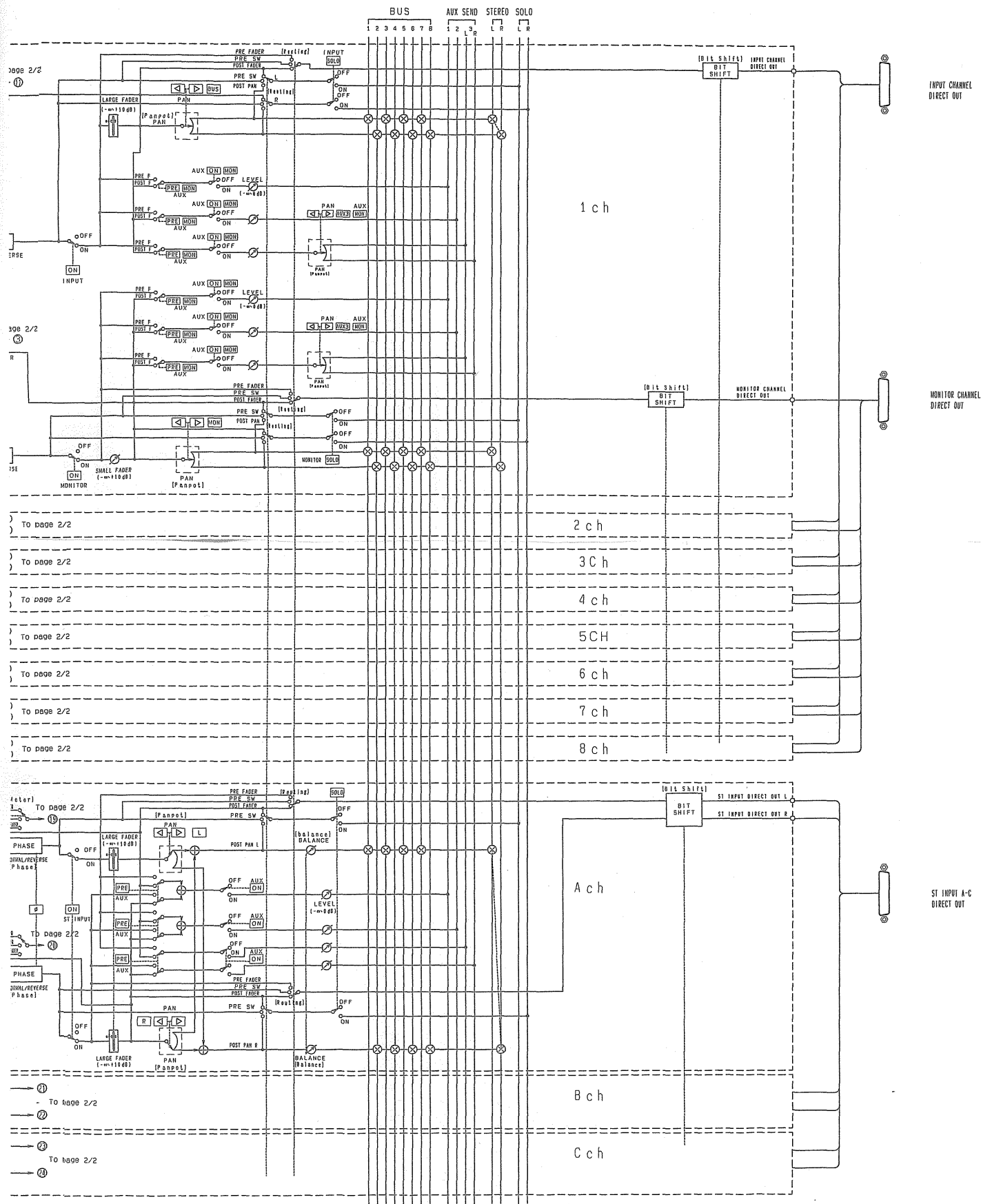
Block Diagram (1/2)

Schéma de principe (1/2)

Blockschaltbild (1/2)

Note 1: Digital audio formats are not shown.
2: Parameter names enclosed in brackets such as [Balance] refer to the LCD function where that parameter can be set.
3: Names that appear in a box as [PRE] indicate console keys.





INPUT CHANNEL
DIRECT OUT

MONITOR CHANNEL
DIRECT OUT

ST INPUT A-C
DIRECT OUT

1 ch

2 ch

3 ch

4 ch

5 ch

6 ch

7 ch

8 ch

A ch

B ch

C ch

To page 2/2
To page 2/2
To page 2/2
To page 2/2
To page 2/2
To page 2/2
To page 2/2

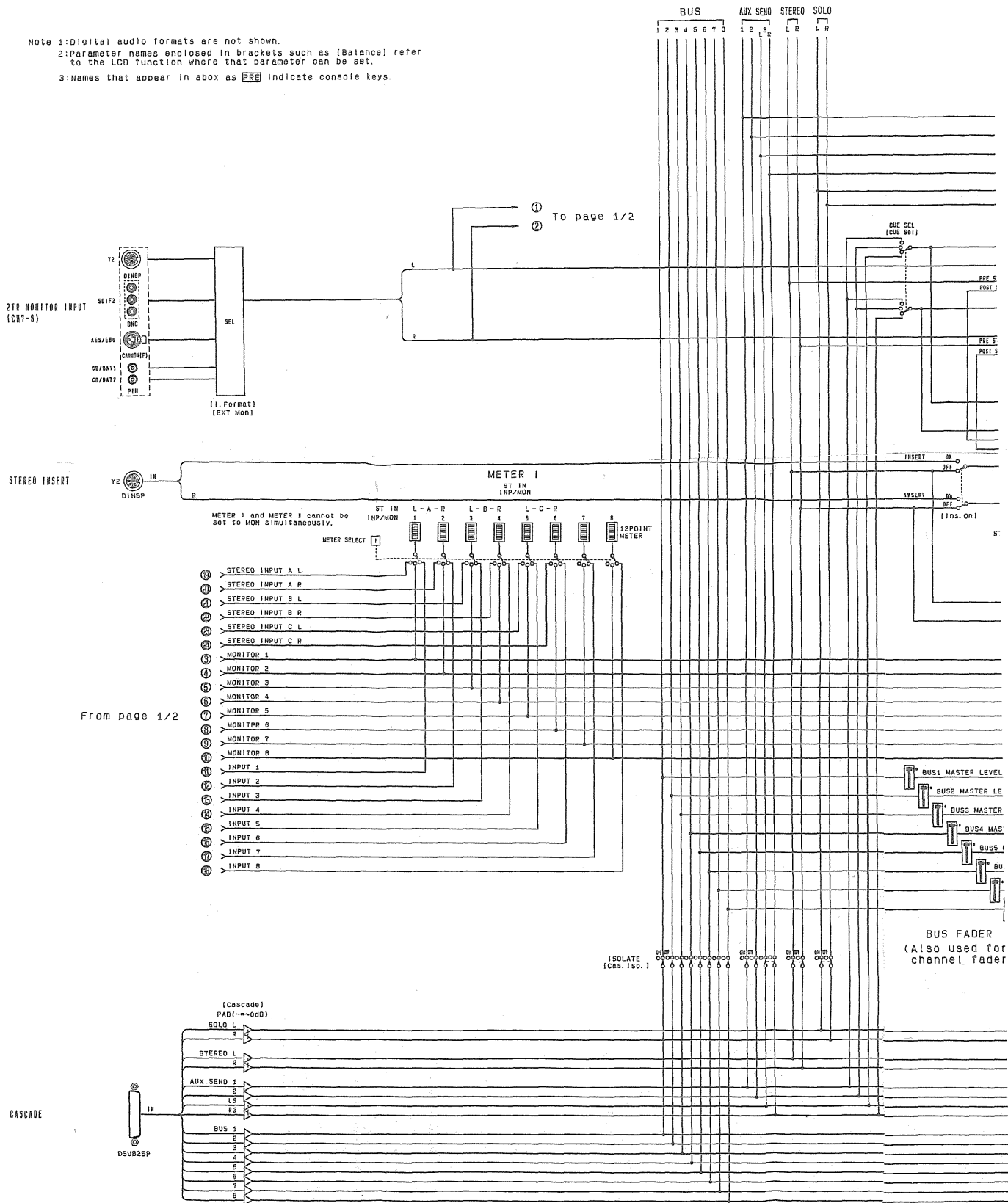
1 -> To page 2/2
2 -> To page 2/2
3 -> To page 2/2
4 -> To page 2/2

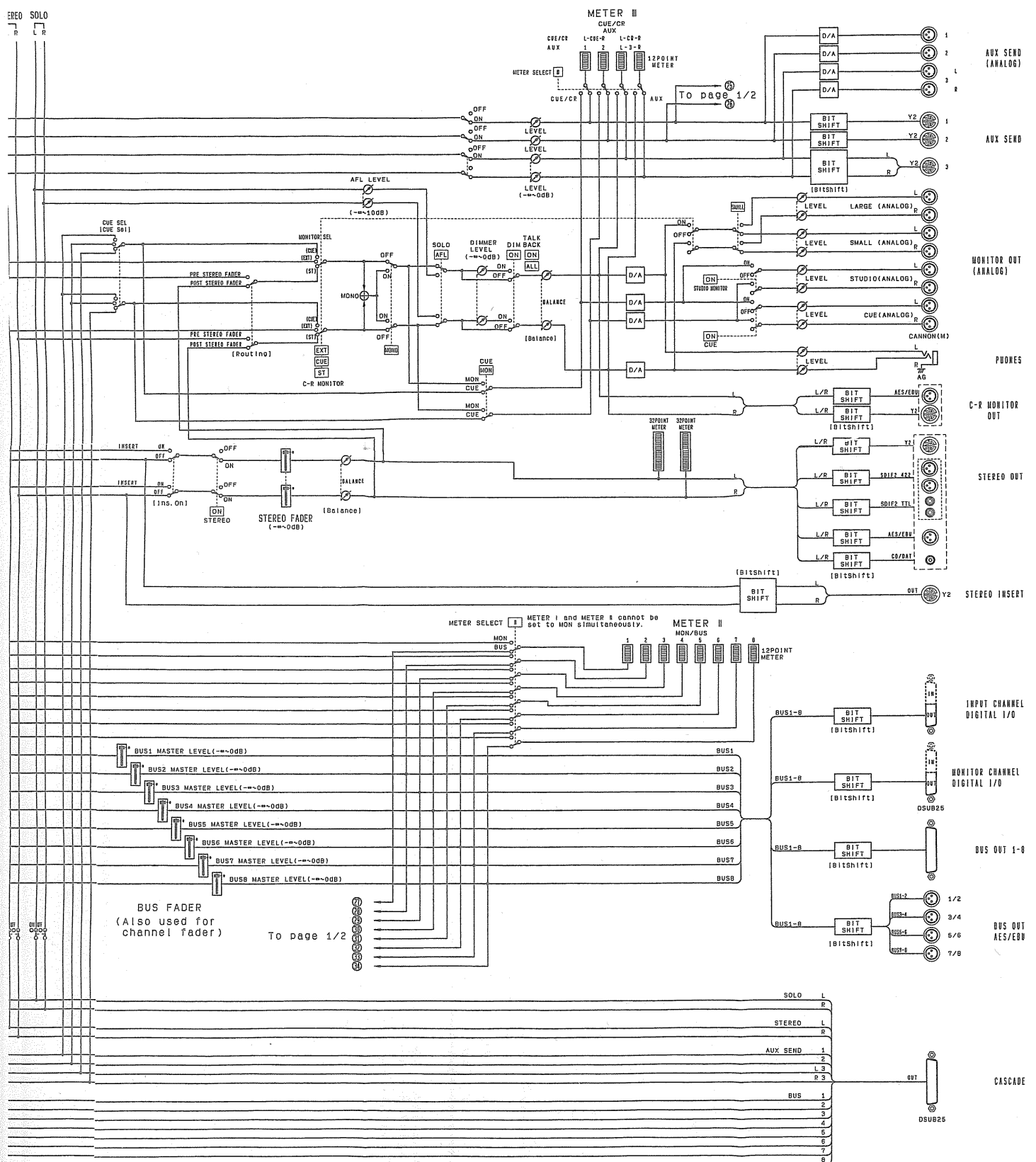
Block Diagram (2/2)

Schéma de principe (2/2)

Blockschaltbild (2/2)

Note 1: Digital audio formats are not shown.
 2: Parameter names enclosed in brackets such as [Balance] refer to the LCD function where that parameter can be set.
 3: Names that appear in a box as **PRE** indicate console keys.





BUS FADER
(Also used for
channel fader)

To page 1/2

- SOLO L
- R
- STEREO L
- R
- AUX SEND 1
- 2
- 3
- 4
- 5
- 6
- 7
- 8
- BUS 1
- 2
- 3
- 4
- 5
- 6
- 7
- 8
- CASCADE