

English

Français

Español

日本語

# MSC9600 MTC9600 MBC9600

Owner's Manual

Mode d'emploi

Manual de instrucciones

取扱説明書

MARCHING DRUM CARRIER  
HARNAIS POUR PERCUSSIONS DE DÉFILÉ  
ARNÉS DE PERCUSIÓN DE MARCHA  
マーチングドラムキャリア

EN FR ES JA

# PRECAUTIONS

## PLEASE READ CAREFULLY BEFORE PROCEEDING

Please keep this manual in a safe and handy place for future reference.

### **WARNING**

Always follow the basic precautions listed below to avoid the possibility of serious injury or even death. These precautions include but are not limited to the following:

#### Handling

- Do not modify or disassemble this product. Otherwise, injuries or damage may result.

### **CAUTION**

Always follow the basic precautions listed below to avoid the possibility of physical injury to you or others, or damage to the instrument or other property. These precautions include but are not limited to the following:

#### Assembly

- Check your surroundings before setting up the instrument. Not checking your surroundings before setting up the instrument can lead to the instrument hitting others or other instruments close by, or you hitting other instruments causing injury or property damage.
- Tighten all screws securely once adjustments have been made. If any screw is loose there is a danger that the drum may slip during performances or extraneous noises may be produced.
- To adjust the carrier use the provided tools only. If the wrong size tool is used, parts may be damaged or insufficient tightening may cause the instrument attached to the carrier to fall, resulting in injuries.

#### Handling

- Always use the carrier with all bolts securely tightened. If the carrier is used with loose parts, the instrument attached to the carrier may fall, resulting in injuries or damage. In addition, parts may fall off and get lost.
- When tilting up the instrument always hold the instrument with your hand as it might flip back and injure bystanders.
- Do not insert your hands between moving parts. Otherwise, your hands may get caught, resulting in injuries.
- Pay attention to the ends and inner surfaces of pipes and the tips of screws. Otherwise, the sharp parts may cause injuries.
- Do not use other screws than those that are included. Otherwise, the carrier may lose holding strength and parts may fall off, resulting in damage or injuries.
- Do not use the carrier in any way other than its intended purpose. Otherwise, injuries may result. Unintended uses may result in unexpected injuries.
- Keep this product out of reach of children. This product is not suitable for use in locations where children are likely to be present.

- Take care not to pinch your fingers when putting the carrier away or when adjusting carrier height. Fingers may become pinched resulting in injury.
- Move the instrument slowly when mounting it onto the carrier or when removing it from the carrier. Otherwise, injuries may result, for example, if your hand gets caught.
- When taking off and putting down the carrier or the carrier with the instrument mounted, do so gently. Do not drop or throw the carrier or the carrier with the instrument mounted.
- Always take suitable breaks when using the carrier for a long period of time. Using the carrier when fatigued can cause injury.
- If some of the parts are broken and/or lost, immediately stop using the carrier. Using a defective carrier can cause injury.

## Location

- Do not place the product in an unstable position or a location with excessive vibration, where it might accidentally fall over and cause injury.

Yamaha cannot be held responsible for damage caused by improper use or modifications to the product.

# Notice

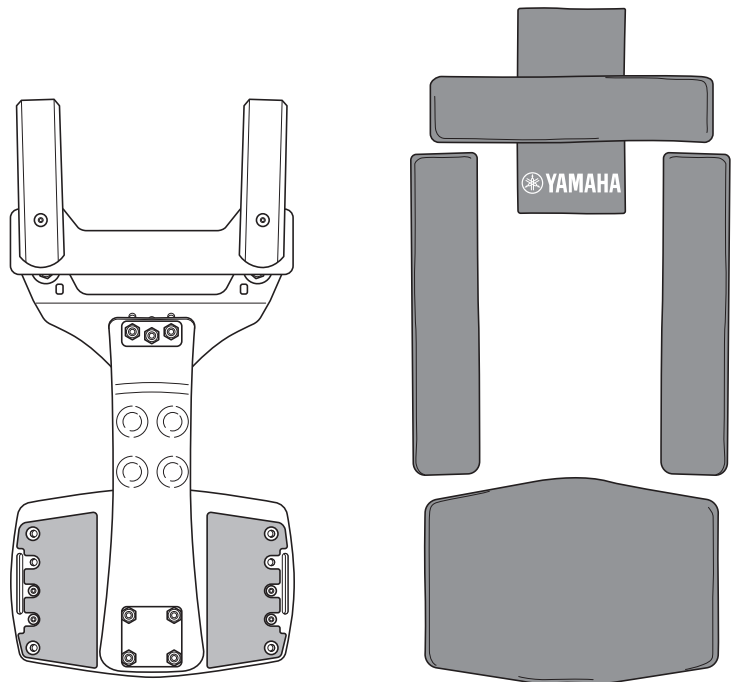
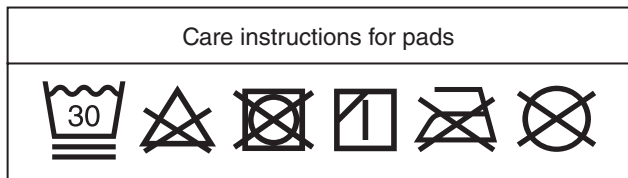
To prevent damage to the product, observe the following.

## Handling

- Be aware of the grease on this product. The screws on the drum and carrier are coated with grease as a lubricant. This grease may get on your clothes when this product is being carried or set up.
- The coatings on the surface might be removed by friction. This is no problem and does not affect the functionality or durability of the product.
- When tilting up the mounted instrument, make sure that it does not hit the carrier. Otherwise, the instrument or parts of the carrier may be damaged.
- Avoid using the carrier in the rain whenever possible. If the carrier does get wet, wipe it with a soft, dry cloth as soon as possible. Leaving the carrier wet can result in it becoming rusted.

## Maintenance

- Periodically wipe metal parts dry. In order to prevent rust, regularly wipe with a dry, soft cloth.
- When cleaning the carrier, use a soft and dry cloth. Do not use benzine or paint thinners. Doing so might cause damage to the paint surface.
- The marching drum carrier's pad is removable and washable. After washing, hang-dry away from direct sunlight. After washing the pad, do not dry it at high temperature, such as in a dryer. Otherwise, the pad may become deformed.
- Do not store the carrier in areas with high temperatures or high humidity. Otherwise, the carrier may become deformed, rust, etc.



This product is compatible with genuine Yamaha products. Refer to the website for compatible products.

# Introduction

Thank you for purchasing this Yamaha product.

This product is a high-end marching drum carrier that can be worn over the shoulders, allowing you to play an attached marching drum during your performance.

Playing in unison with your instrument is made easier thanks to the carrier body, which can be precisely adjusted to fit your body, and the attachment mechanism, which securely holds the instrument in place while allowing it to be easily mounted and removed.

In order to take full advantage of the various features of this product, we recommend that you read this Owner's Manual thoroughly before use. After reading this manual, keep it in a safe, accessible place, and refer to it to better understand the features.

## Included Items

The following items are included in the package.

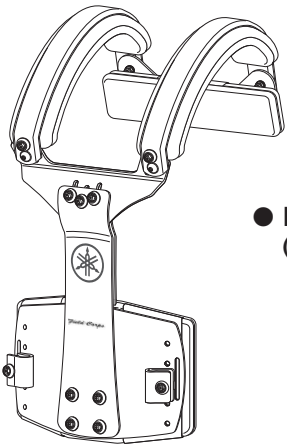
Before assembly, make sure that all items are included.

\* If any item is missing, contact the store where you purchased the product.

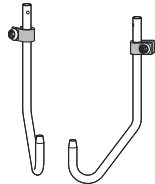
- Items to prepare: Drum key

### MSC9600

- Carrier body



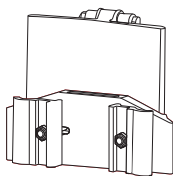
- Rods (with memory clamps)



- Snare drum receiver



- Snare drum attachment



- Hexagonal wrench (6 mm)



- Hexagonal wrench (4 mm)

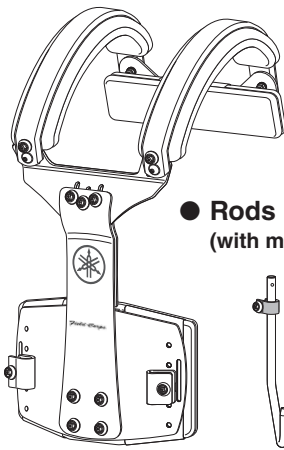


- Owner's Manual (this document)

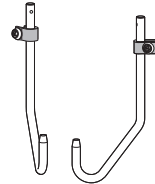
- Service location information

### MTC9600

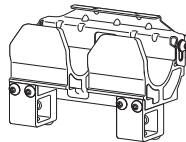
- Carrier body



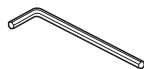
- Rods (with memory clamps)



- Multi-tom receiver



- Hexagonal wrench (6 mm)



- Hexagonal wrench (4 mm)

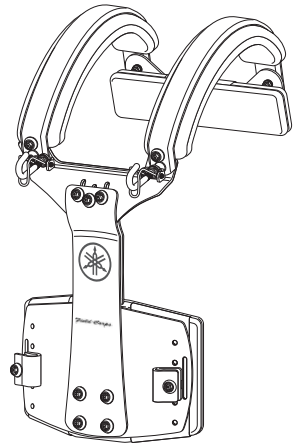


- Owner's Manual (this document)

- Service location information

### MBC9600

- Carrier body



- Rods (with memory clamps)



- Hexagonal wrench (4 mm)



- Owner's Manual (this document)

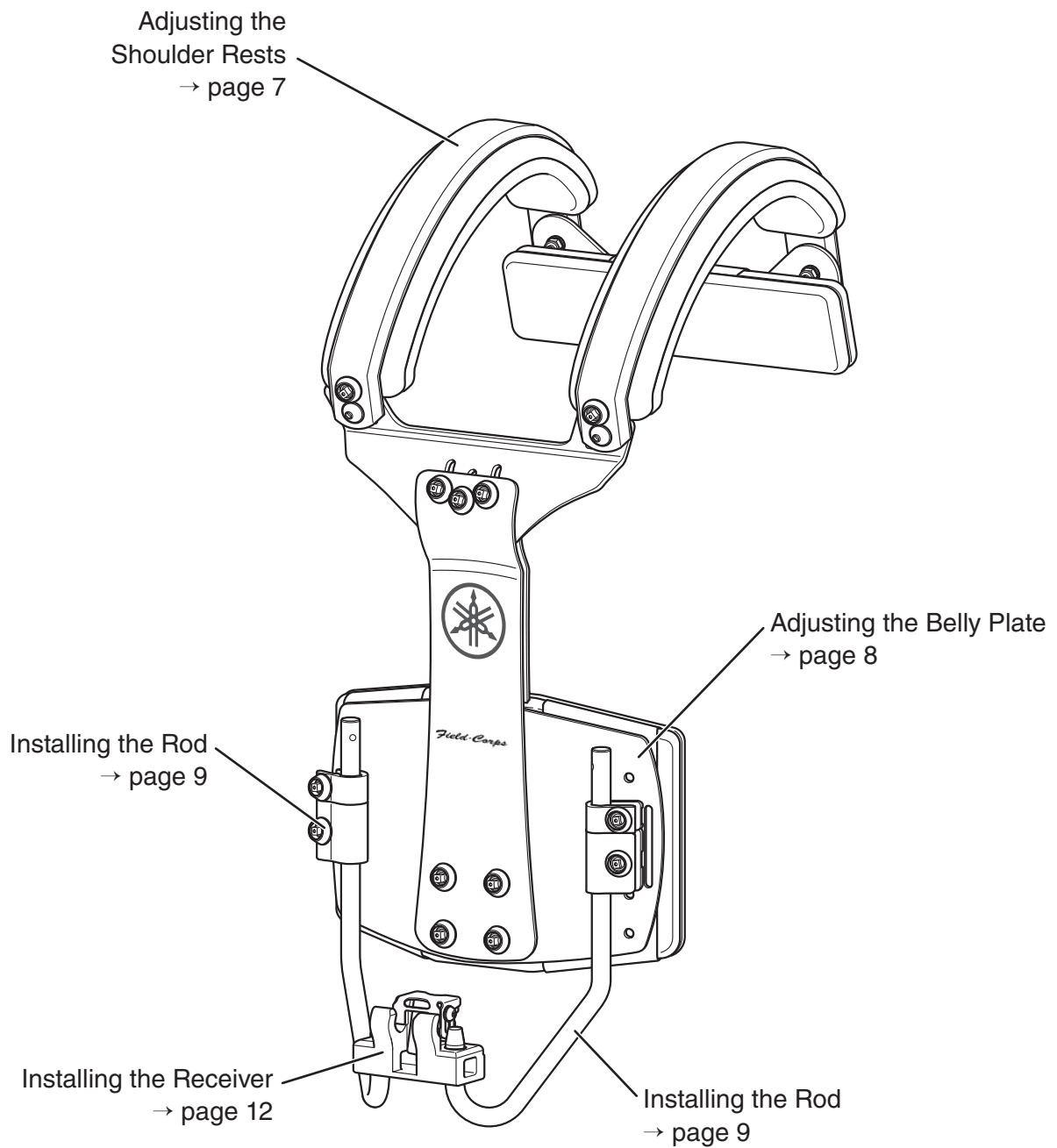
- Service location information

# Preparations Before Mounting the Instrument

Before mounting an instrument onto this product, be sure to perform the following operations.

- **Adjusting the Shoulder Rests** .....Page 7
- **Adjusting the Belly Plate**.....Page 8
- **Installing the Rods**.....Page 9
- **Installing the Receiver** .....Page 12

Before mounting the instrument, adjust the carrier to fit the player's physique. Although adjustments are explained using snare drum carrier MSC9600 as an example, the same operations apply to all other carriers.

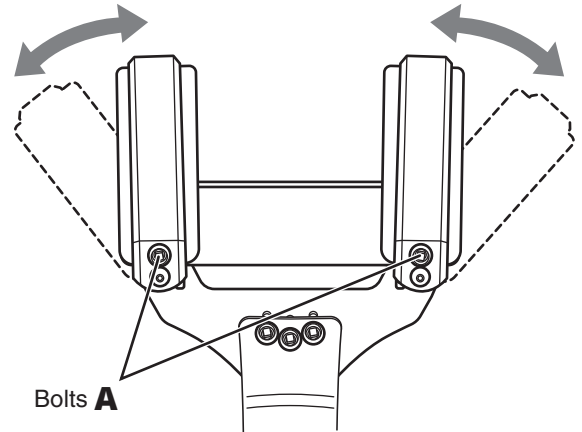


## Adjusting the Shoulder Rests

For increased comfort while playing, the spacing between and the angle of the shoulder rests can be adjusted.

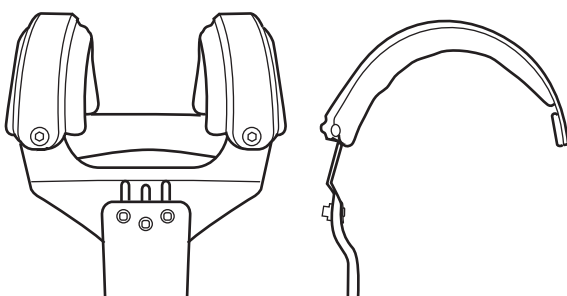
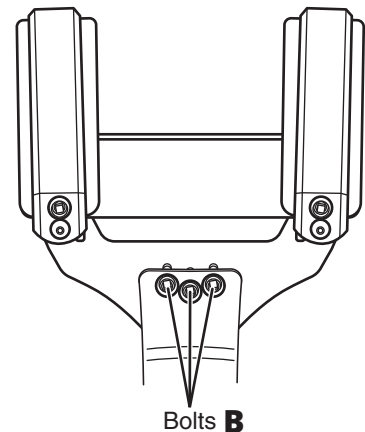
### ■ Adjusting the Spacing

1. Loosen bolts **A** (one on the left and one on the right) with a drum key.
2. Adjust the spacing between the shoulder rests as desired.
3. Tighten bolts **A** (one on the left and one on the right) with a drum key to secure the shoulder rests.

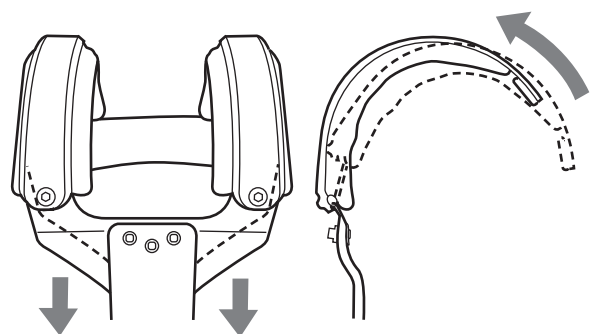


### ■ Adjusting the Angle

1. Loosen bolts **B** (three places) with a drum key so that the shoulder rests can be moved.
2. Adjust the angle of the shoulder rests as desired.
3. Tighten bolts **B** (three places) with a drum key to secure the shoulder rests.



**Most rearward position**  
(when shipped from manufacturer)

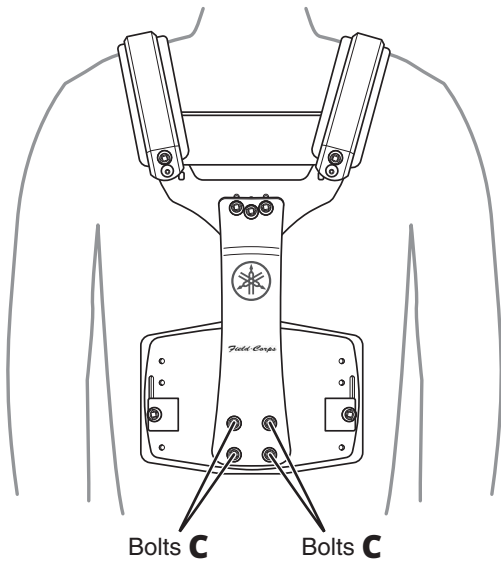


**Most forward position**

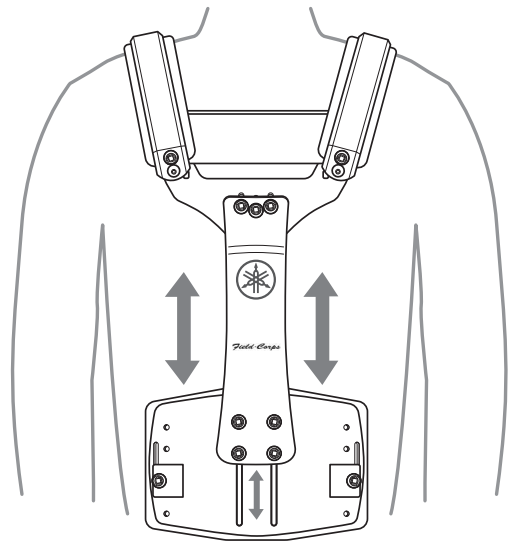
## Adjusting the Belly Plate

The position of the belly plate can be adjusted to suit the player's stature.

1. Loosen bolts **C** (four places) with a drum key so that the belly plate can be moved.
2. Adjust the belly plate to the desired position.
3. Tighten bolts **C** (four places) with a drum key to secure the belly plate.



**Highest position**  
(when shipped from manufacturer)



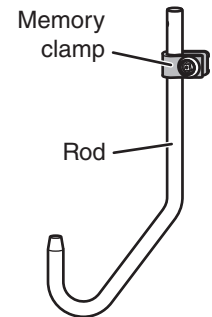
**Lowest position**



## Installing the Rods

### CAUTION

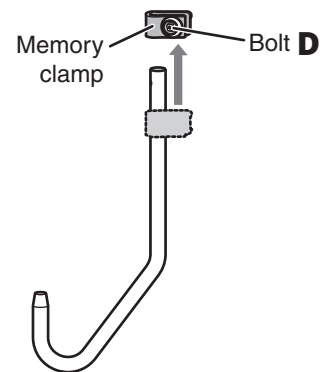
When the carrier is shipped from the manufacturer, the memory clamps are attached to the rods.  
The memory clamps are designed to prevent the instrument from falling if the rod become loose. After mounting of the instrument is finished, be sure to securely tighten the memory clamps.



### ■ Rod Installation Procedure

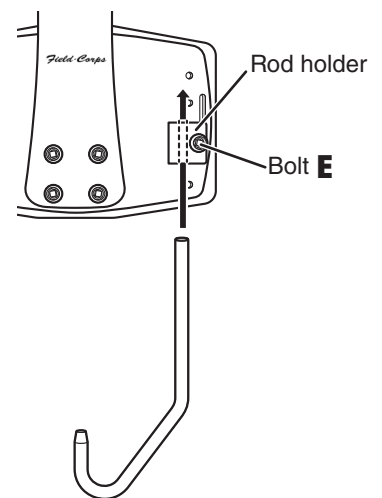
Although the rod shapes are different for snare drums/multi-toms and bass drums, the installation procedure is the same.

1. Loosen bolt **D** with a drum key, and then remove the memory clamp from the rod.



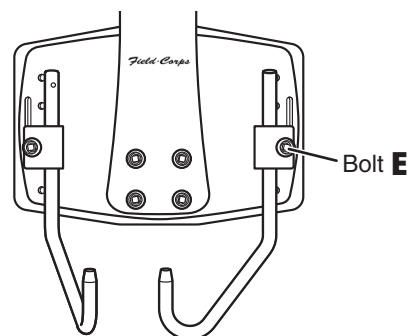
2. Loosen bolt **E** so that the rod can be inserted into the rod holder.
3. Insert the rod into the rod holder from below, and then roughly set the rod installation position (height) and angle.

**NOTE:** There is no difference between the left and right rods included with the carrier.



## Preparations Before Mounting the Instrument

4. Temporarily tighten bolt **E** with a drum key.
5. Follow the steps above to install the other rod.



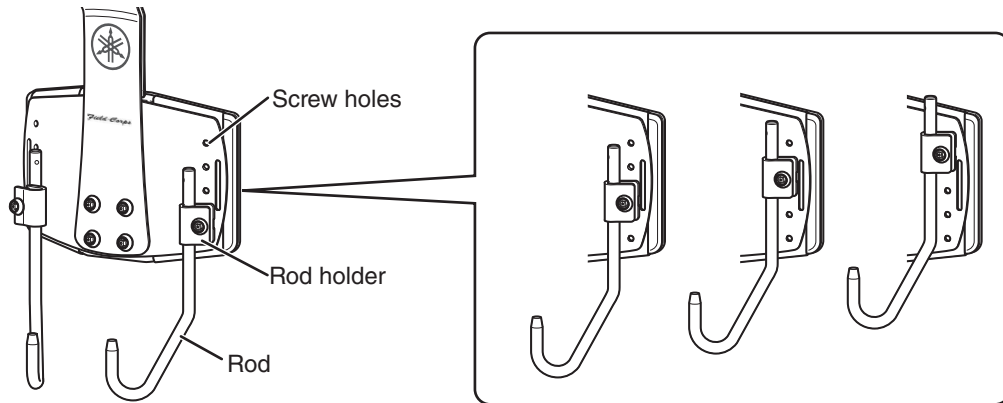
### NOTICE

- Always tighten bolts **E** with the rods inserted into the rod holders. If the bolt is tightened without the rod inserted into the rod holder, the holder may become deformed.
- Be careful not to lose the removed memory clamp. It will be used in the following steps to secure the instrument after it has been mounted.

## NOTICE

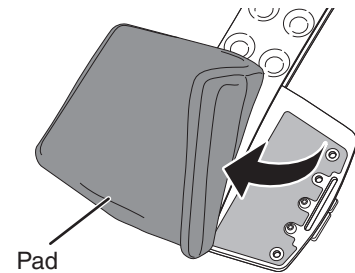
- Before changing the installation positions of the rod holders, be sure to remove the rods. Since it is difficult to perform this operation with the rods attached, the screws may become damaged.

**NOTE:** There are four screw holes for installing each rod holder. Changing the installation position of the rod holders allows the rods to be further raised or lowered.

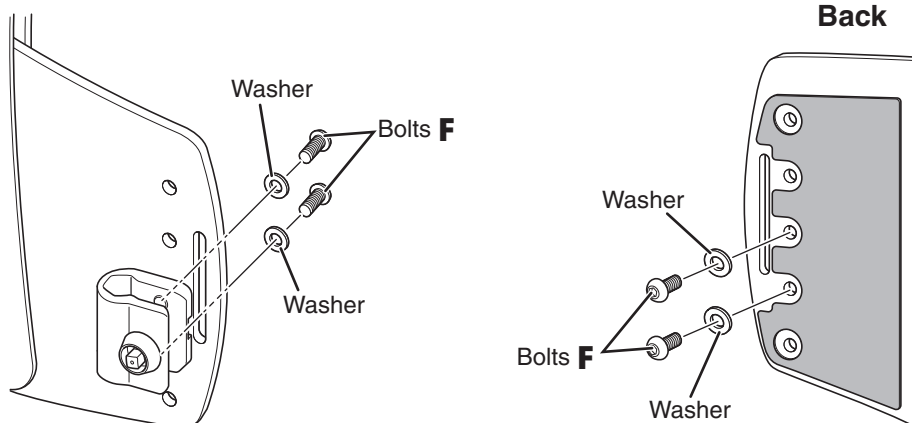


To change the installation position of the rod holders, follow the steps below.

1. Peel the pad off the back of the belly plate.



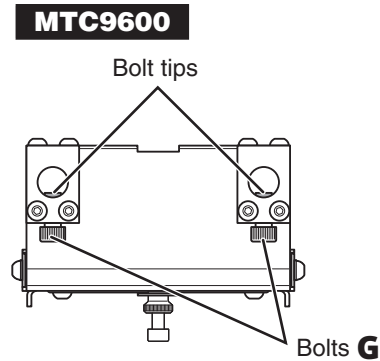
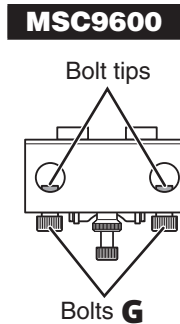
2. Remove bolts **F** and their washers (from the back) with the hexagonal wrench (4 mm).
3. Determine the position of the rod holders, and then install bolts **F** and their washers (removed in step 2).



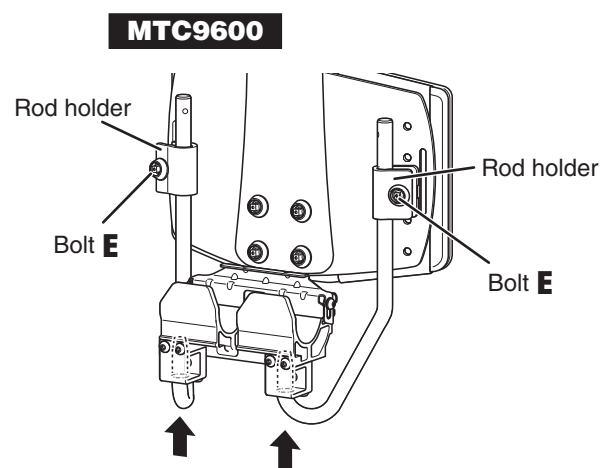
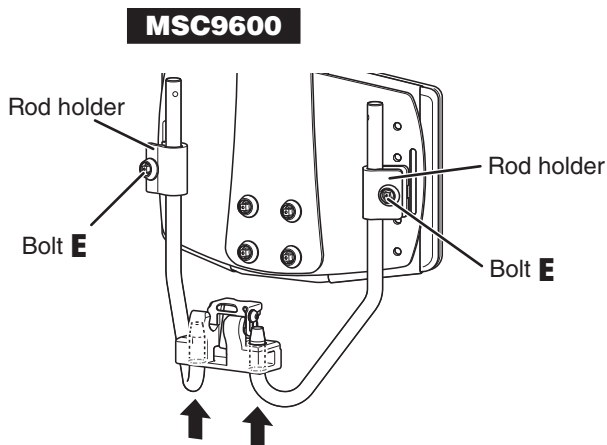
4. Reattach the pad removed in step 1.

## Installing the Receiver

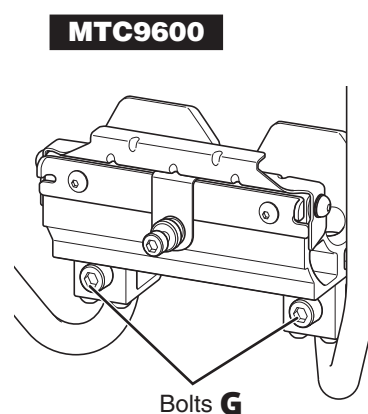
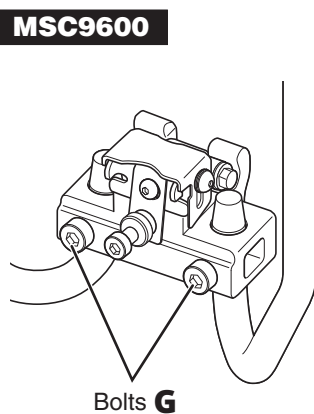
1. Loosen bolts **G** (two places) with the hexagonal wrench (6 mm) so that the tips of the bolts are no longer visible through the holes where the rods are to be inserted.



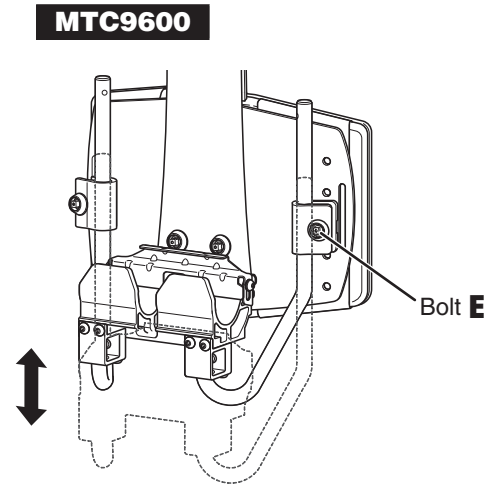
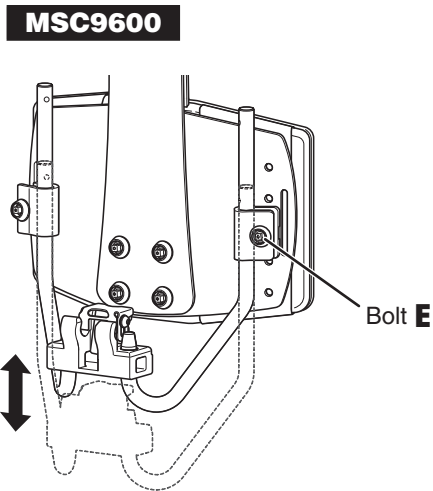
2. Loosen bolts **E** of the rod holders that were temporarily tightened in step 4 of “Rod Installation Procedure” on page 10.
3. Align the rods with the holes in the receiver, and then fully insert them on both sides, making sure they are equal.



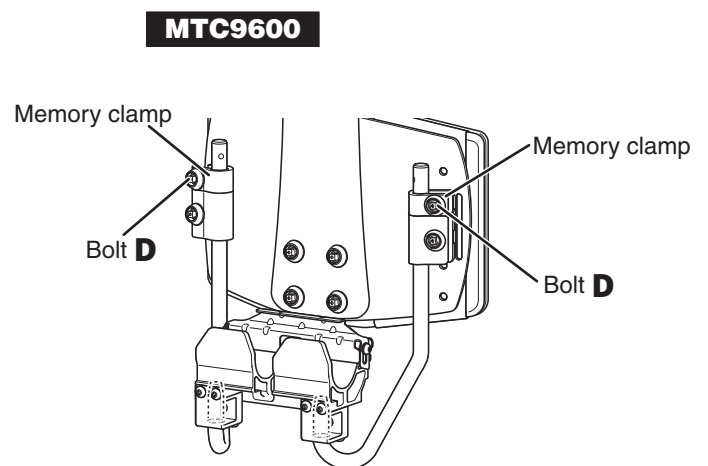
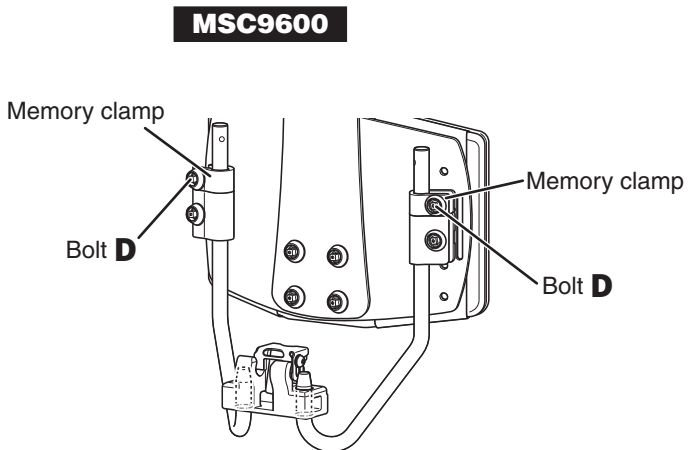
4. Tighten bolts **G** (two places) with the hexagonal wrench (6 mm) to secure the rods.



5. With the receiver attached, move the rods up or down to adjust the receiver to the desired height. Tighten bolts **E** to secure the rod holders.



6. Insert the memory clamps from above, and then tighten bolts **D** to secure the holders.



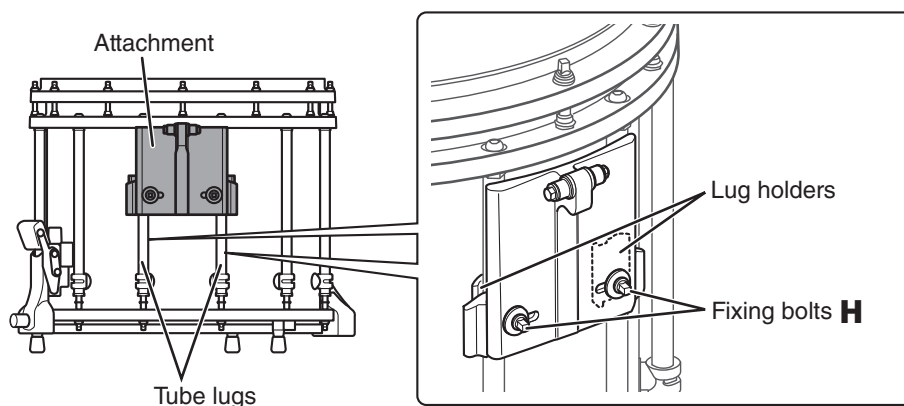
Perform the operations below to attach the instrument (snare drum) to the marching drum carrier.

1. Installing the attachment onto the instrument
2. Fitting the attachment on the instrument into the receiver on the marching drum carrier
3. Adjusting the angle of the instrument

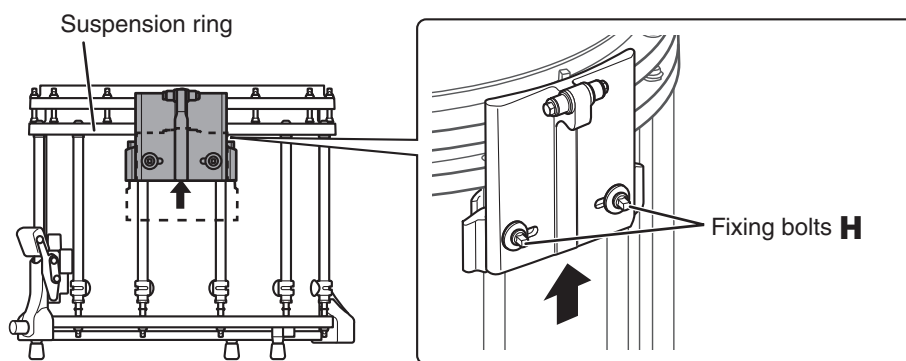
## 1. Installing the attachment onto the instrument

**NOTE:** The attachment will be installed on the tube lugs of the snare drum. We recommend installing the attachment onto the tube lugs on the opposite side of the Yamaha logo.

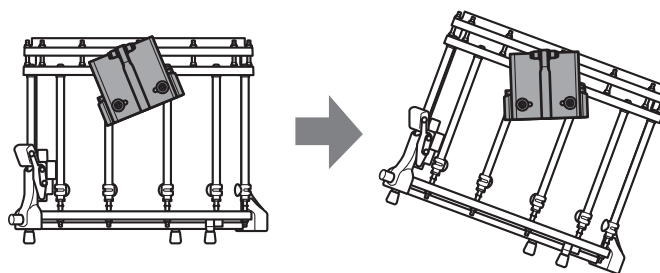
- 1-1.** Clamp the attachment's lug holders (left and right) onto the snare drum tube lugs as shown in the illustration, and then lightly tighten lug holder fixing bolts **H** with a drum key.



- 1-2.** Slide the attachment upwards until it touches the suspension ring of the snare drum, and then tighten lug holder fixing bolts **H** with the drum key to secure the attachment.

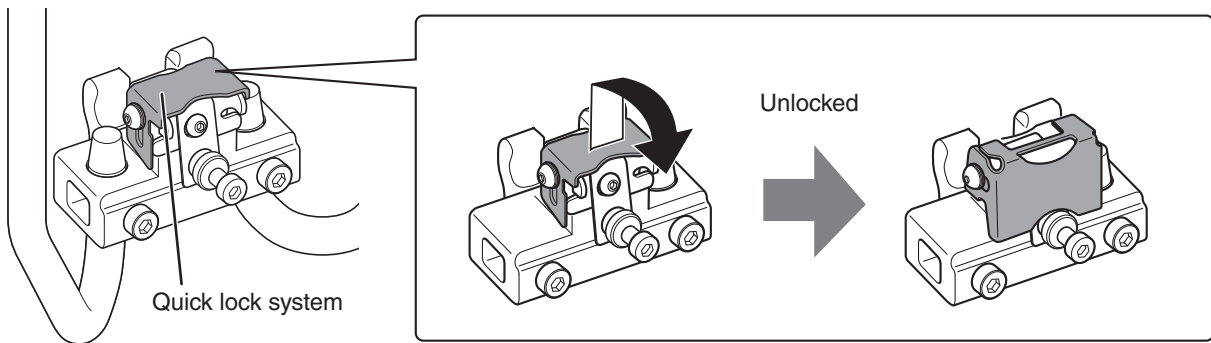


**NOTE :** Installing the attachment at an angle allows the snare drum to be set at an angle.

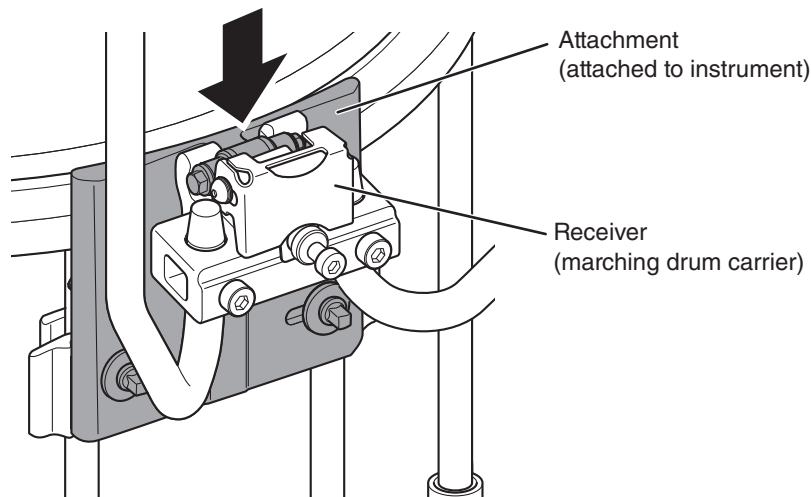


**2. Fitting the attachment on the instrument into the receiver on the marching drum carrier**

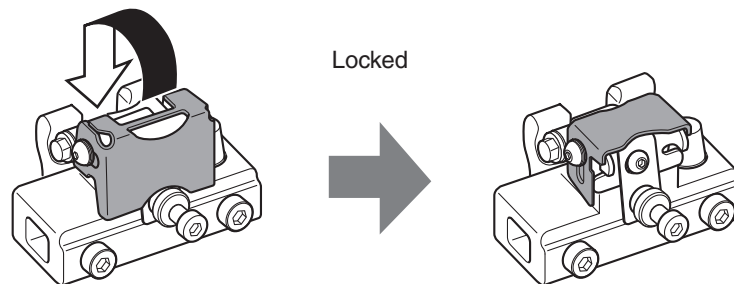
**2-1. Unlock the quick lock system (on the receiver of the marching drum carrier) by pulling it up, then flipping it down.**



**2-2. Fit the attachment on the instrument into the receiver on the marching drum carrier.**



**2-3. Lock the quick lock system (on the receiver) by flipping it up, then pushing it down.**



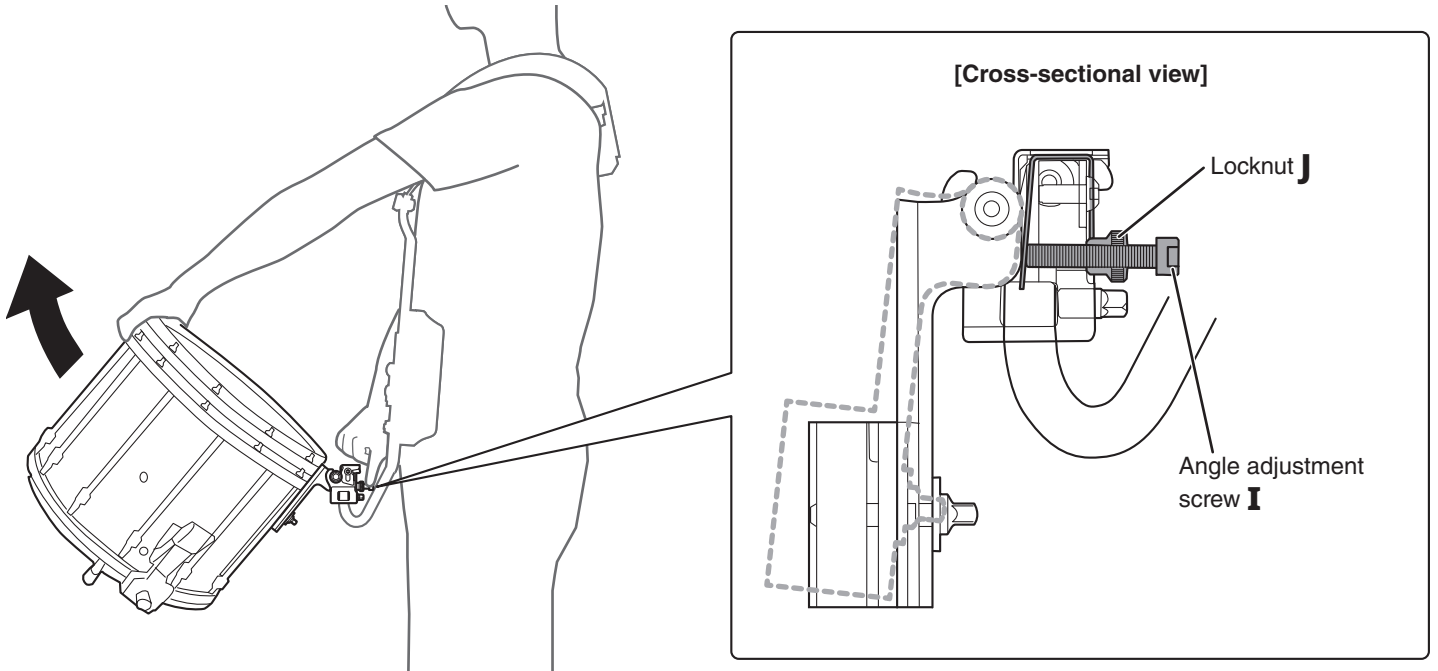
## Mounting a Snare Drum

### 3. Adjusting the angle of the instrument

After mounting the instrument and putting on the carrier, adjust the angle of the instrument.

**3-1.** Tilt the instrument towards you. Loosen locknut **J**, and then turn angle adjustment screw **I** to adjust the angle of the instrument.

**3-2.** Tighten locknut **J** to prevent angle adjustment screw **I** from becoming loose.



### Removing the instrument

Perform step 2-1 above to unlock the quick lock system, and then reverse step 2-2 in order to remove the attachment from the receiver and thereby the instrument from the marching drum carrier.



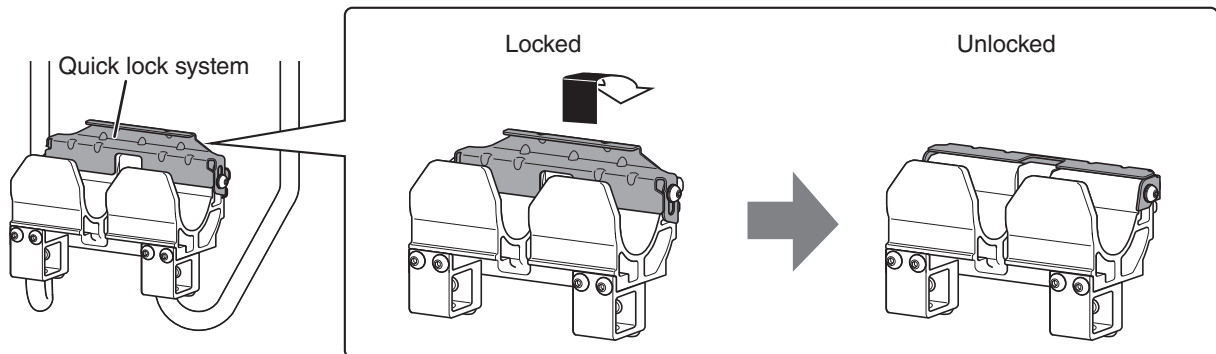
## CAUTION

- This operation should be performed by at least two people: the player, who will put on the marching drum carrier, and an assistant, who will hold the instrument.

## 1. Mounting a tenor drum onto the carrier

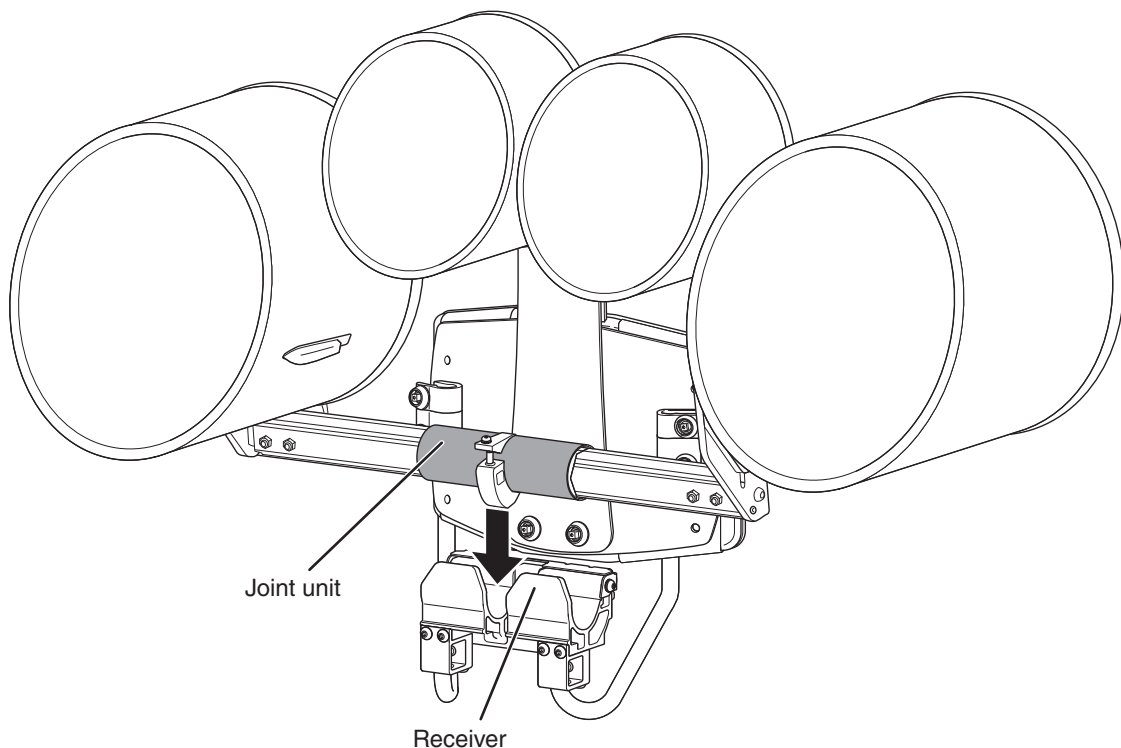
1-1. Put on the carrier.

1-2. Unlock the quick lock system (on the receiver of the marching drum carrier) by pulling it up, then flipping it down.



1-3. Fit the joint unit on the instrument into the receiver on the marching drum carrier.

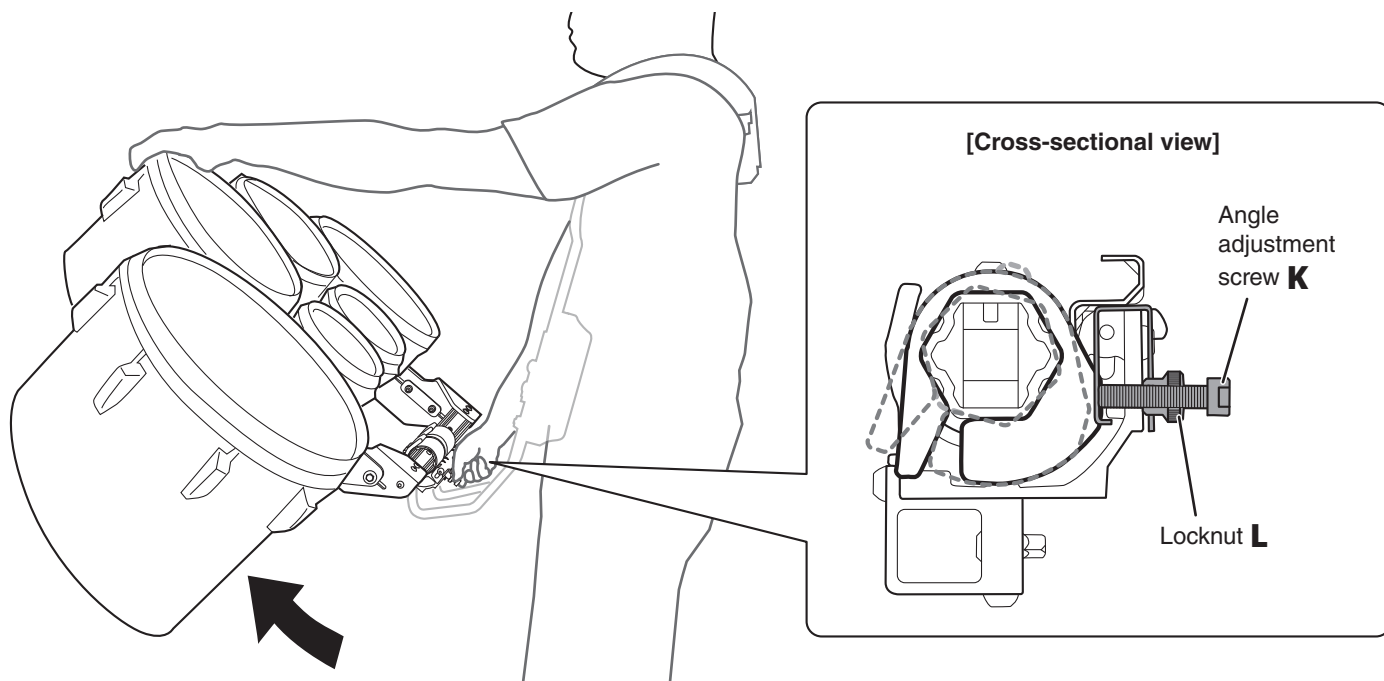
With the instrument held up as shown in the illustration below, fit the joint unit into the receiver, and then slowly tilt the instrument down into the upright position.



1-4. Lock the quick lock system (on the receiver) by flipping it up, then pushing it down. (Perform step 1-2 in reverse.)

## Preparations Before Mounting the Instrument

- 1-5.** Tilt the instrument towards you. Loosen locknut **L**, and then turn angle adjustment screw **K** to adjust the angle of the instrument.



- 1-6.** Tighten locknut **L** to lock the angle of the instrument.

### Removing the instrument

Perform step 1-2 above to unlock the quick lock system, and then reverse step 1-3 (tilt up and pull up the instrument) in order to remove the joint unit on the instrument from the receiver on the marching drum carrier.

## ⚠ CAUTION

- This operation should be performed by at least two people: the player, who will put on the marching drum carrier, and an assistant, who will hold the instrument.
- Mount the bass drum onto the carrier before putting on the carrier.

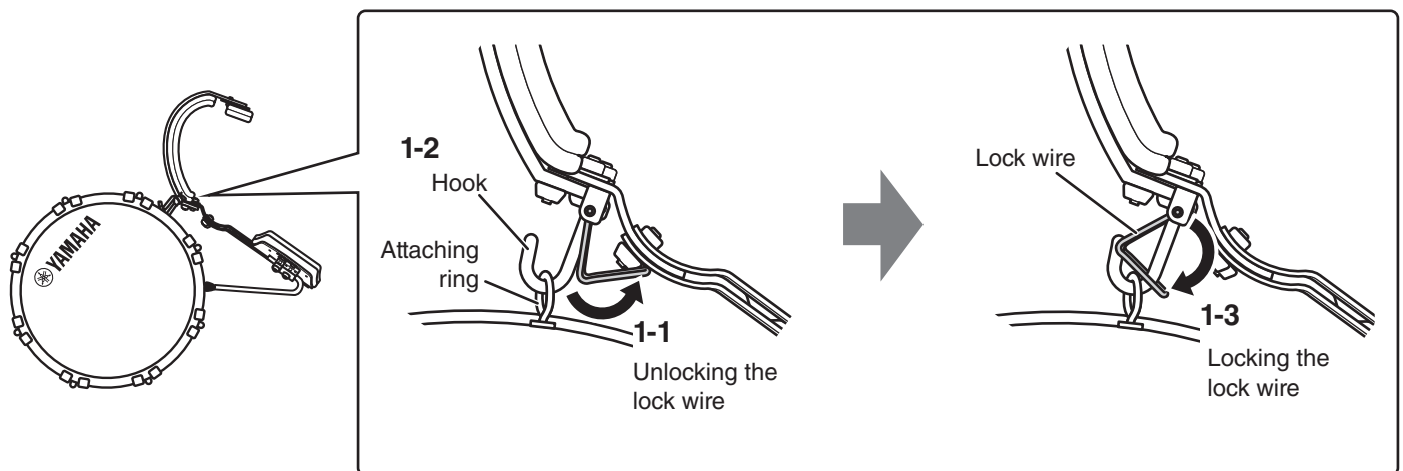
## 1. Mounting a bass drum onto the carrier

Before performing the following procedure, place the bass drum on a stable surface. Securely mount the instrument onto the marching drum carrier before putting on the carrier.

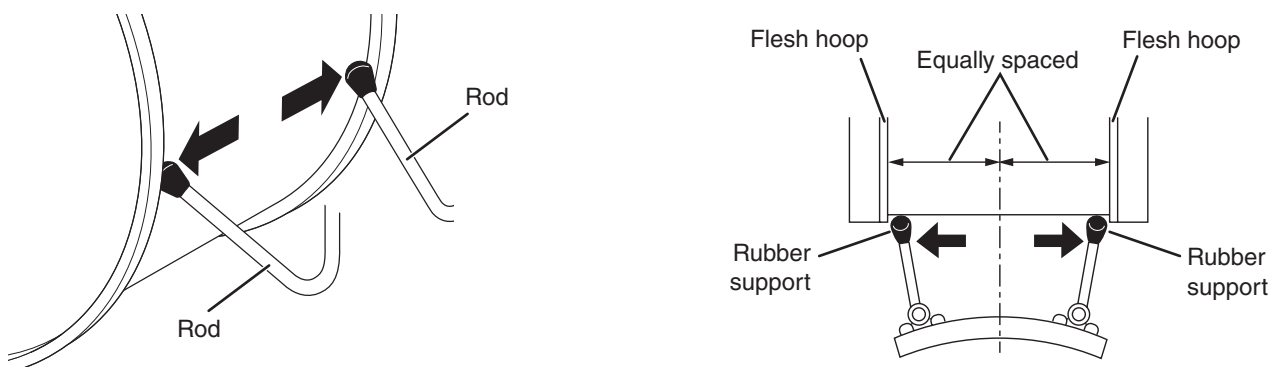
**1-1.** Unlock the left and right lock wires by swinging them down.

**1-2.** Insert the left and right drum harness hooks (on the marching drum carrier) into the bass drum attaching rings.

**1-3.** Lock the left and right lock wires by swinging them up.



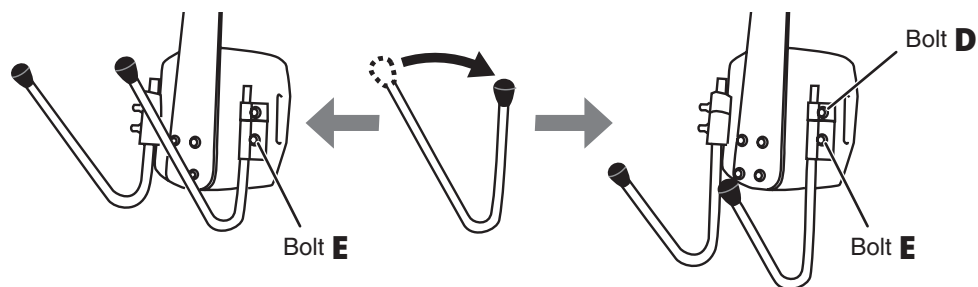
**1-4.** Loosen bolts **E** of the rod holders, open the rods to the left and right so that the rubber support of each rod is placed against a flesh hoop of the heads. At this time, make sure that the marching drum carrier does not come into contact with the bass drum body and lugs.



### 2. Adjusting the position of the bass drum

Loosen bolts **E** of the rod holders. After adjusting the rod positions, securely tighten the rod holder bolts, insert the memory clamps from above, and then tighten bolts **D** to secure the holders.

**NOTE:** The position of the bass drum can be changed by installing the rods upside down. After the rods are installed upside down, reposition the rubber supports of the rods against the instrument.



### Removing the instrument

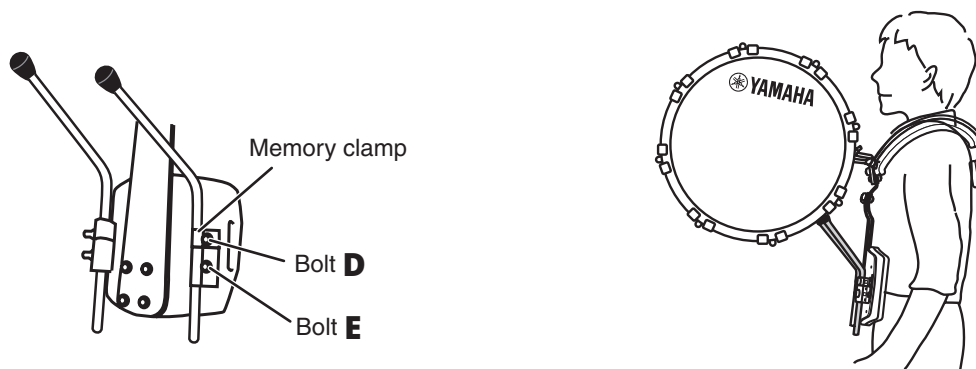
With the bass drum placed on a stable stand, perform step 1-1 above to unlock the lock wires, and then reverse step 1-2 in order to remove the harness hooks (on the marching drum carrier) from the bass drum attaching rings.

### High-position arms MBCHA (sold separately)

With the high-position arms (sold separately), an 18" bass drum can be mounted onto the carrier at a higher position (as shown).

For installation, attach the memory clamps (included with MBC9600) to the high-position arms, and then insert the high-position arms into the rod holders from above.

Adjust the height and angle of the left and right high-position arms, and then tighten bolts **D** and **E** to secure the arms in place.



YAMAHA CORPORATION

10-1 Nakazawa-cho, Chuo-Ku,  
Hamamatsu, 430-8650 JAPAN

ヤマハ株式会社

〒430-8650 静岡県浜松市中央区中沢町 10-1

© 2025 Yamaha Corporation

Published 1/2025

2025 年 1 月

IPOE-A0



VHA0220