



SPEAKER SYSTEM/SYSTÈME DE DIFFUSION/SISTEMA DE ALTAVOCES/  
АКУСТИЧЕСКАЯ СИСТЕМА/音箱/スピーカーシステム

**VXL1B-24**

**VXL1W-24**

**VXL1B-16**

**VXL1W-16**

**VXL1B-8**

**VXL1W-8**

**VXL1B-24-WR**

**VXL1W-24-WR**

**VXL1B-16-WR**

**VXL1W-16-WR**

**VXL1B-8-WR**

**VXL1W-8-WR**

Installation Guide

**EN**

Installationshandbuch

**DE**

Manuel d'installation

**FR**

Guía de instalación

**ES**

Guia de instalação

**PT**

Guida all'installazione

**IT**

Руководство по установке

**RU**

安裝指南

**ZH-CN**

安裝指南

**ZH-TW**

설치설명서

**KO**

施工説明書

**JA**

**兼保証書**

保証規定は巻末にあります。

English

Deutsch

Français

Español

Portugués

Italiano

Русский

简体中文

繁體中文

한국어

日本語

# Contents

---

Introduction.....	2
PRECAUTIONS.....	3
Included accessories.....	5
Optional accessories.....	5
Installing the speaker using the included bracket (excluding -WR [outdoor model])...	6
Installing the port cover (excluding -WR [outdoor model]).....	10

## Introduction

---

Thank you for purchasing a Yamaha product.

This product is a fixed-installation speaker system used for amplifying sound and background music, in commercial spaces and similar areas. This Installation guide contains instructions on setting up the system, for use by the person in charge of installation or the installation designer. Be sure to read this guide before installing the system.

Also, keep this guide in a safe place for reference after you have finished reading it.

## About the Owner's Manual

### Installation Guide (this book)

This guide explains the precautions, items included and basic steps for installing the speakers safely.

For the specific method of setting up the system, please read the digital version of the Owner's manual (HTML).

### Owner's Manual, Digital Version (HTML)

The digital version of the Owner's Manual explains more details on mounting the speakers (including the optional brackets), and provides the general specifications and dimensions.

<https://manual.yamaha.com/pa/speakers/vxl1/>



## About notation

In this guide, the outdoor model is referred to as -WR.

## About this product

The VXL1 comprises the following models:

- VXL1(B/W)-24, VXL1(B/W)-24-WR with 24-speaker unit
- VXL1(B/W)-16, VXL1(B/W)-16-WR with 16-speaker unit
- VXL1(B/W)-8, VXL1(B/W)-8-WR with 8-speaker unit

-WR can be used in outdoor environments. However, do not install it in locations under the following conditions. Doing so may result in malfunction.

- Locations that may be susceptible to salt damage
- Locations that may be affected by corrosive gas
- Locations that may be subjected to excessive vibration that might raise concerns about screws coming loose
- Locations that may be subjected to extremely high temperatures and humidity, in particular, locations in which condensation easily forms
- Locations that may be subjected to extremely low or high temperatures, or where the ambient temperature is outside the range of the recommended operating temperature  
Operating temperature range: -10°C to 50°C
- Locations in which snow accumulation or falling packed snow is expected

We do not guarantee that there will be no aging or malfunction of this product in environments other than those mentioned above.

Please perform maintenance and inspection regularly to ensure safe use.

# PRECAUTIONS

---

## PLEASE READ CAREFULLY BEFORE PROCEEDING

Please keep this manual in a safe place for future reference.

### **WARNING**

**Always follow the basic precautions listed below to avoid the possibility of serious injury or even death from electrical shock, short-circuiting, damages, fire or other hazards. These precautions include, but are not limited to, the following:**

### **If you notice any abnormality**

- If any of the following problems occur, immediately turn off the power of the amplifier.
  - Unusual smells or smoke are emitted.
  - Some object, or water has been dropped into the product.
  - There is a sudden loss of sound during use of the product.
  - Cracks or other visible damage appear on the product.

Then have the product inspected or repaired by qualified Yamaha service personnel.

### **Do not open**

- This product contains no user-serviceable parts. Do not disassemble or modify this device (painting and installing the port cover excepted).

## **Fire warning**

---

- Do not place any burning items or open flames near the product, since they may cause a fire.

## **Hearing loss**

---

- Before connecting the product to other devices, turn off the power for all devices. Also, before turning the power of all devices on or off, make sure that all volume levels are set to the minimum. Failing to do so may result in hearing loss, electric shock, or device damage.
- When turning on the AC power in your audio system, always turn on the power amplifier LAST, to avoid hearing loss and speaker damage. When turning the power off, the power amplifier should be turned off FIRST for the same reason.

## **Location**

---

- Do not use the optional brackets for other speakers besides the ones specified. Doing so may cause an accident.

### **CAUTION**

**Always follow the basic precautions listed below to avoid the possibility of physical injury to you or others. These precautions include, but are not limited to, the following:**

## **Location and connection**

---

- Do not place the product in an unstable position or a location with excessive vibration, where it might accidentally fall over and cause injury.
- Keep small parts out of the reach of infants. Your children may accidentally swallow them.
- Keep this product out of reach of children. This product is not suitable for use in locations where children are likely to be present.
- Do not place anything containing liquid on the product. If liquid such as water gets inside, it may result in malfunction.
- Do not use this product in extremely hot or humid locations where condensation easily forms. Failure to comply may result in malfunction.
- Do not install this product in a harsh environment that requires dust and waterproof protection ratings higher than those with which this product is compliant. Doing so may result in malfunction.
- Do not place the product in a location where it may come into contact with corrosive gases or salt air. Doing so may result in malfunction.
- Before moving the product, remove all connected cables.
- Be sure to contact a professional installer, if the speaker installation requires construction work, and make sure to observe the following precautions.
  - Follow the instructions listed in the Installation Guide when wiring or installing.
  - Choose mounting hardware and an installation location that can support the weight of the device.

- Avoid locations that are exposed to constant vibration.
- Use the required tools to install the device.
- Use the specified mounting bracket, bolts and screws.
- Inspect the device periodically.
- Use only speaker cables for connecting speakers to the speaker chassis connectors. Use of other types of cables may result in fire.

### Handling caution

---

- Do not hang heavy objects from the product. Avoid applying excessive force to the switches or connectors to prevent injuries.
  - When choosing a power amplifier for use with the product, make sure that the output power of the amplifier is lower than the power capacity of this device (see Owner's Manual, Digital Version). If the output power is higher than the power capacity, malfunction or fire may occur.
  - Do not input excessively loud signals that may result in clipping in the amplifier or cause the following:
    - Feedback, when using a microphone
    - Continuous and extremely loud sound from a musical instrument, etc.
    - Continuous and excessively loud distorted sound
    - Noise caused by plugging/unplugging the cable while the amplifier is turned on
- Even if the output power of the amplifier is lower than the power capacity of this product (program), damage to the product, malfunction or fire may occur.

PA-14 2/2

### NOTICE

To avoid the possibility of malfunction/damage to the product, or damage to other property, follow the notices below.

#### Handling and maintenance

Do not expose the product to excessive dust or vibration, or extreme cold or heat, in order to prevent the possibility of panel disfiguration, unstable operation, or damage to the internal components.

Be sure to observe the amplifier's rated load impedance (see Owner's Manual, Digital Version), particularly when connecting speakers in parallel at low impedance. Connecting an impedance load outside the amplifier's rated range can damage the amplifier.

When using a high-impedance (ST-L1(B/W) a) connection, make sure the audio signal is passed through an 80Hz or above high-pass filter before being input to the speakers.

Do not touch the speaker driver unit, since it might cause malfunction.

Do not place vinyl, plastic or rubber objects on the product, since this might cause alteration or discoloration of the panel.

Clean the product with a dry and soft cloth. Do not wipe product surfaces with sodium hypochlorite, alcohol, benzene, paint thinners, cleaning fluids, or a chemical-impregnated wiping cloth, which could cause discoloration or change surface characteristics.

### Protection Circuit

This speaker system has an internal protection circuit that shuts off the speaker unit when an excessive input signal is applied. If the speaker unit emits no sound, reduce the volume level of the amplifier immediately. (The sound will return automatically in several seconds.)

Do not place the speaker face down.

Air blowing out of the bass reflex ports is normal, and often occurs when the speaker is handling program material with heavy bass content.

### Information

#### About this manual

The illustrations as shown in this manual are for instructional purposes only.

The company names and product names in this manual are the trademarks or registered trademarks of their respective companies.

#### About disposal

This product contains recyclable components. When disposing of this product, please contact the appropriate local authorities.

Yamaha cannot be held responsible for damage caused by improper use or modifications to the product.

# Included accessories

**VXL1-24, VXL1-16, VXL1-8 only**  
(Excluding -WR [outdoor model])

Safety wire x 1

Terminal cover x 2

Speaker x 1

TEMPLATE

Template x 1

Installation Guide x 1  
(this book)

Bracket base x 2  
(for VXL1-8 only: x 1)

Port cover x 2  
(for VXL1-24, VXL1-16)

Mounting bracket x 2  
(for VXL1-8 only: x 1)

Port cover x 1  
(for VXL1-8)

Machine screws  
(M5 x 10) x 2  
(for VXL1-8 only: x 1)

Port block x 1  
(for VXL1-8)

# Optional accessories

- Speaker transformer ST-L1(B/W)a
- Wall mount bracket WMB-L1(B/W)
- Vertical coupling bracket VCB-L1B
- Vertical coupling support bracket VCSB-L1(B/W)
- Horizontal coupling bracket HCB-L1B
- Pole and wall mount bracket PWMB-L1(B/W)-WR

# Installing the speaker using the included bracket (excluding -WR [outdoor model])

You can use the included mounting bracket to install the speaker on a wall. Before installation, make sure the installation area can support the weight of the speaker. Do not install on plasterboard.

## NOTICE

When installing speakers, make sure the power amplifier is turned off.

## CAUTION

Do not install the speakers horizontally, as the speakers may fall.

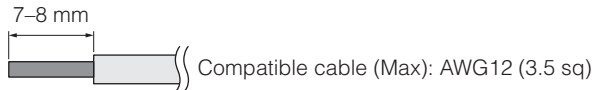


## Pre-installation (cable preparation)

Strip the cable insulation as shown in the figure and connect the cables.

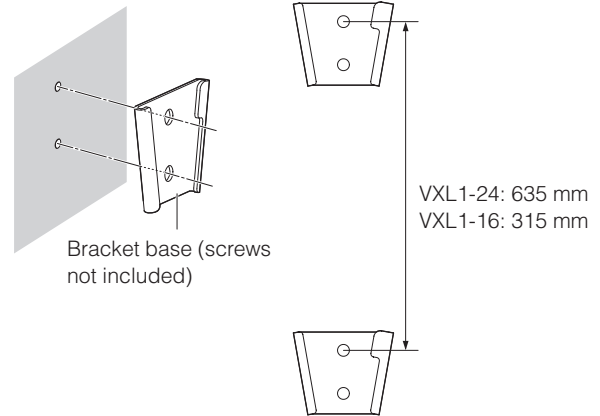
## NOTE

Do not use solder to plate stranded wires, as this may cause the wires to break.



## 1 Attaching the bracket base to the wall

- 1-1 Place the included template on the wall, to decide where the holes should go for the screws and cables.
- 1-2 Make holes in the wall for the cables, and pull the cables from the amplifier out through the holes.
- 1-3 Install the bracket base onto the wall. Position the narrow part of the bracket base down (towards the floor). The bracket base holes should be 5.3 mm in size.



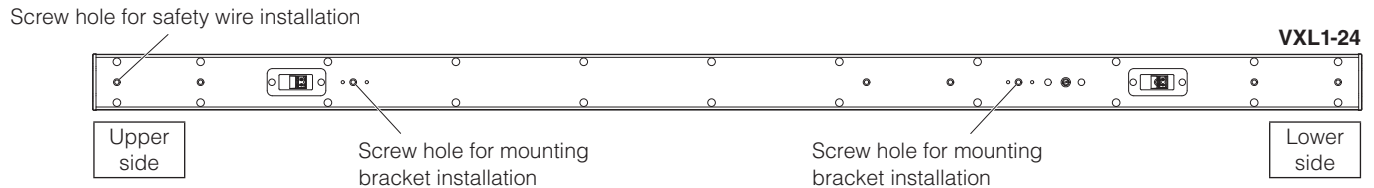
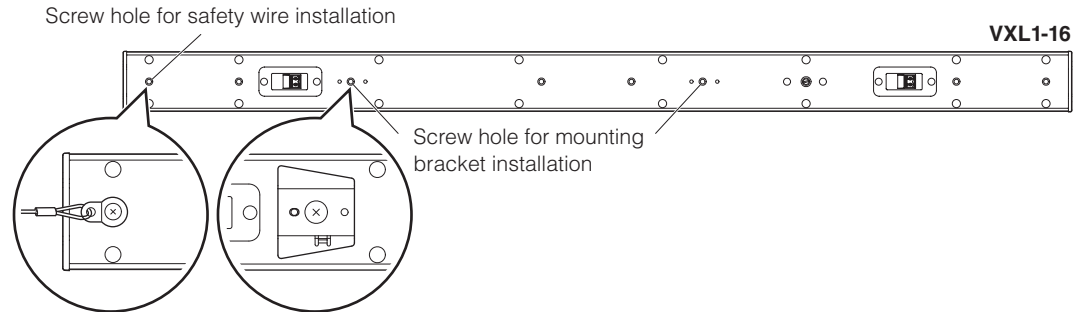
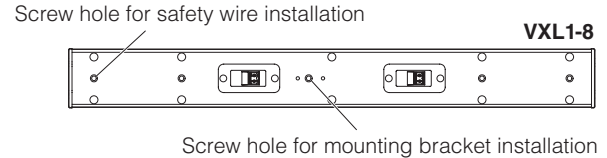
## 2 Installing the mounting bracket and safety wire onto the speakers

### 2-1 Install the mounting bracket onto the speaker using the included screws.

Position both the upper and lower part of the mounting bracket at the third hole to install (see the figure below; only VXL1-8 have one location). Install the safety wire at the topmost hole position.

#### ⚠ CAUTION

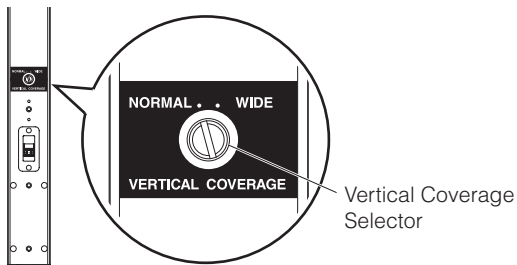
- Use the included safety wire.
- If the included safety wire is not long enough, consider the weight of the speaker and the installation conditions, and procure an appropriate safety wire.



### 3 Setting the directionality

(VXL1-24 [-WR], VXL1-16 [-WR] only)

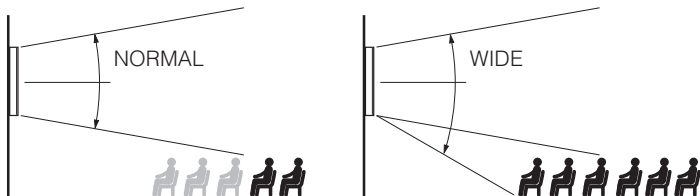
3-1 Set the directionality by using a flat head screwdriver to operate the Vertical Coverage Selector on the back of the speaker.



At this time, when you want to expand the area of coverage downwards, set the switch to WIDE.

NORMAL

WIDE (expands range down)



### 4 Connecting the cables

4-1 Remove the Euroblock plug from the speaker.

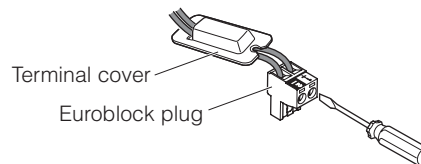
#### NOTE

Although there are two different speaker connectors for top and bottom, they are the same (connected in parallel internally). You can use either one.

4-2 After loosening the terminal screws of the Euroblock plug with a flat-blade screwdriver, insert the cable into each terminal and tighten the screws. Tug on the cables to make sure that they cannot be pulled out.

#### NOTE

When installing outdoors, run the cables through the included terminal cover before inserting them into the connector.



#### NOTE

Use a flat head screwdriver with a blade width of 3 mm or less.

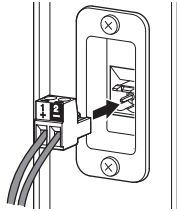


**4-3** Attach the safety wire to the wall.

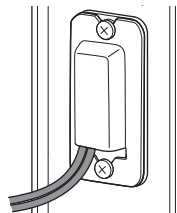
**⚠ CAUTION**

Attach the safety wire at a position higher than the speaker, where it does not sag too much.

**4-4** Bring the connected Euroblock plug back to the socket on the main unit.



When installing outdoors, attach the included terminal cover.



**NOTE**

Take appropriate measures to waterproof the openings below the terminal covers.

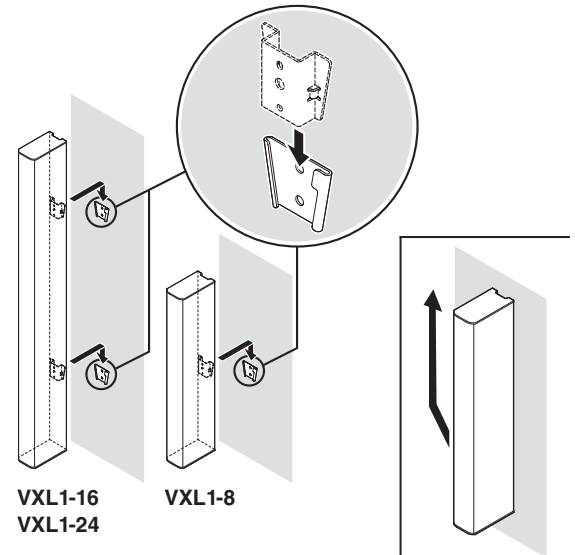
## 5 Installing the main speaker unit onto the wall

**5-1** Fit the bracket base together with the mounting bracket by inserting from the top, making sure to insert the mounting bracket all the way until the parts lock together.

**NOTICE**

- Hold the middle of the speaker when installing.
- (For VXL1-24, VXL1-16) Make sure that the mounting base and mounting bracket are locked together in two places, top and bottom.

When removing, pick up the entire speaker while lightly pushing to the left.



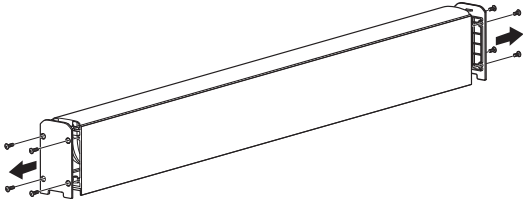
# Installing the port cover (excluding -WR [outdoor model])

If you require waterproofing equivalent to that of the IP35, install the port cover that is included with this product. -WR (outdoor model) is IP55 compliant when used as is.

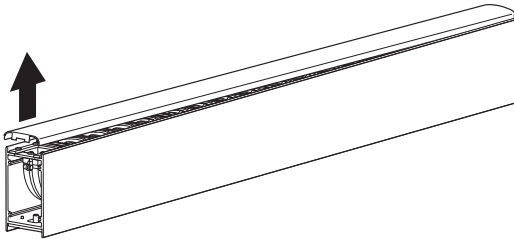
## ⚠ CAUTION

Use gloves or other protective wear when removing the grille, in order to avoid cutting your hands on the grille edges.

- 1 Remove the four screws on the top and bottom sides of the speaker, and remove the top and bottom panels.

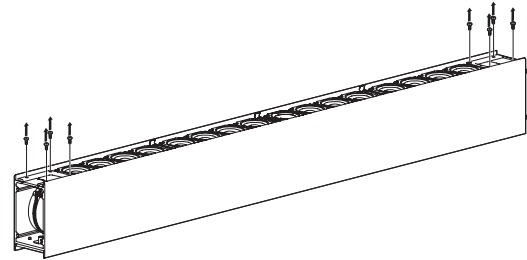


- 2 Use caution not to scratch the grille, and slowly remove it from the speaker.

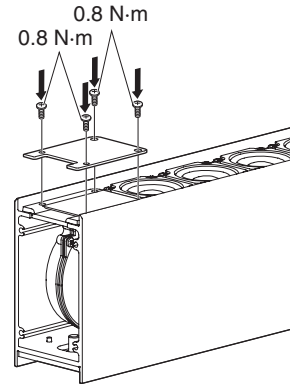


- 3 Remove the four screws from the bass reflex port.

There are two bass reflex ports (top and bottom) on the VXL1-24/VXL1-16.



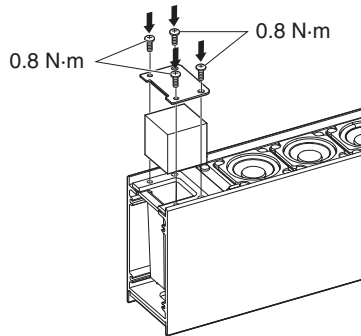
- 4 Align the port cover and fasten it in place using the screws that you removed.



(For VXL1-8) Insert the port block into the bass reflex port, and then align the port cover and fasten it in place using the screws that you removed.

**NOTE**

Insert the port block so that it fits into the port.

**5** Put the grille back on the speaker.

When doing this, align the edges of the speaker with the position of the grille to fit the grille in place.

**6** Fasten the top and bottom panels in place using the screws that you removed.

#### Information for users on collection and disposal of old equipment:



This symbol on the products, packaging, and/or accompanying documents means that used electrical and electronic products should not be mixed with general household waste. For proper treatment, recovery and recycling of old products, please take them to applicable collection points, in accordance with your national legislation.

By disposing of these products correctly, you will help to save valuable resources and prevent any potential negative effects on human health and the environment which could otherwise arise from inappropriate waste handling.

For more information about collection and recycling of old products, please contact your local municipality, your waste disposal service or the point of sale where you purchased the items.

#### For business users in the European Union:

If you wish to discard electrical and electronic equipment, please contact your dealer or supplier for further information.

#### Information on Disposal in other Countries outside the European Union:

This symbol is only valid in the European Union. If you wish to discard these items, please contact your local authorities or dealer and ask for the correct method of disposal.

(58-M02 WEEE en 01)

#### Informations concernant la collecte et le traitement des déchets d'équipements électriques et électroniques



Le symbole sur les produits, l'emballage et/ou les documents joints signifie que les produits électriques ou électroniques usagés ne doivent pas être mélangés avec les déchets domestiques habituels.

Pour un traitement, une récupération et un recyclage appropriés des déchets d'équipements électriques et électroniques, veuillez les déposer aux points de collecte prévus à cet effet, conformément à la réglementation nationale.

En vous débarrassant correctement des déchets d'équipements électriques et électroniques, vous contribuerez à la sauvegarde de précieuses ressources et à la prévention de potentiels effets négatifs sur la santé humaine qui pourraient advenir lors d'un traitement inapproprié des déchets.

Pour plus d'informations à propos de la collecte et du recyclage des déchets d'équipements électriques et électroniques, veuillez contacter votre municipalité, votre service de traitement des déchets ou le point de vente où vous avez acheté les produits.

#### Pour les professionnels dans l'Union européenne :

Si vous souhaitez vous débarrasser des déchets d'équipements électriques et électroniques, veuillez contacter votre vendeur ou fournisseur pour plus d'informations.

#### Informations sur la mise au rebut dans d'autres pays en dehors de l'Union européenne :

Ce symbole est seulement valable dans l'Union européenne. Si vous souhaitez vous débarrasser des déchets d'équipements électriques et électroniques, veuillez contacter les autorités locales ou votre fournisseur et demander la méthode de traitement appropriée.

(58-M02 WEEE fr 01)

#### Informationen zur Rückgabe von Elektro- und Elektronikgeräten, Lampen und Batterien, gültig für Deutschland



Elektro- und Elektronische Altgeräte beinhalten eine Vielzahl von wertvollen und wiederverwendbaren Rohstoffen und gehören im Falle einer Entsorgung nicht in die Restmülltonne, sondern Altgeräte sind getrennt zu sammeln und zu entsorgen. Besitzer von Altgeräten tragen damit zur sicheren Entsorgung bei und helfen, mögliche umwelt- oder gesundheitsschädlichen Folgen zu vermeiden.



Zerströngsfrei entnehmbare Altbatterien und Altkumulatoren sowie Lampen, sind vor der Entsorgung zu entfernen und getrennt zu behandeln. Alte oder defekte Batterien und Akkus können überall dort, wo Batterien verkauft werden, kostenfrei zurückgegeben werden. Ebenso die kommunalen Wertstoffhöfe nehmen alte Batterien und Akkus zurück. Das Symbol mit der durchgestrichenen Mülltonne weist darauf hin, dass Batterien und/oder Akkus getrennt vom Hausmüll gesammelt und entsorgt werden müssen.



Cd

Wenn die Batterie oder der Akku mehr als die in der europäischen Batterie-Richtlinie spezifizierten Werte für Blei (Pb), Quecksilber (Hg) und/oder Kadmium (Cd) enthält, werden die chemischen Symbole für Blei (Pb), Quecksilber (Hg) und/oder Kadmium (Cd) unter dem Symbol mit der durchgestrichenen Mülltonne angezeigt.

Indem Sie Batterien separat sammeln, tragen Sie zur sicheren Entsorgung von Produkten und Batterien bei und helfen damit, mögliche umwelt- oder gesundheitsschädlichen Folgen zu vermeiden. Bringen Sie dazu alle Batterien und/oder Akkus zu Ihrem örtlichen Wertstoffhof oder einem Geschäft bzw. einer Einrichtung, wo diese Geräte zur umweltfreundlichen Entsorgung gesammelt werden.

Batterien und Akkus können bei unsachgemäßer Handhabung Risiken für Mensch und Umwelt bedeuten. Insbesondere bei Lithium handelt es sich um ein sehr reaktionsfreudiges und brennbares Metall, dass in Batterien oder Akkus bei unsachgemäßem Umgang Sicherheitsrisiken birgt, wie z. B. Kurzschlussgefahr, Hitzeentwicklung, Brand oder Austritt von umweltgefährdenden Stoffen. Lithium-Akkus müssen aus Sicherheitsgründen vor der Entsorgung gesichert werden. Kleben Sie die Anschlüsse mit Isolierband ab.

Hinweis zur Verpflichtung von Vertreibern zur unentgeltlichen Rücknahme von Altgeräten in Bezug auf Elektrogesetz §17 Absatz 1 und 2:

Rücknahmepflicht größerer Elektrofachmärkte (also Elektro-Fachgeschäfte, mit einer Verkaufsfläche für Elektro- und Elektronikgeräte von mindestens 400 m<sup>2</sup>).

Rücknahmepflicht für Lebensmitteläden mit einer Gesamtverkaufsfläche von mindestens 800 m<sup>2</sup>, die mehrmals pro Jahr oder dauerhaft Elektro- und Elektronikgeräte anbieten und auf dem Markt bereitstellen.

Diese Händler müssen bei der Abgabe eines neuen Elektrogeräts an einen Endnutzer ein Altgerät der gleichen Art kostenfrei zurücknehmen (1:1-Rücknahme); dies gilt auch für Lieferungen an private Haushalte.

Diese Händler sind verpflichtet von Endnutzern bis zu drei kleine Altgeräte (keine äußere Abmessung größer als 25 cm) kostenfrei im Einzelhandelsgeschäft oder in unmittelbarer Nähe zu diesem zurückzunehmen, ohne dass dies an einen Neukauf geknüpft werden darf (0:1-Rücknahme).

Diese Rücknahmepflichten gelten auch für den Versandhandel, wobei die Pflicht zur 1:1-Rücknahme im privaten Haushalt nur für Wärmeüberträger (Kühl-/Gefriergeräte, Klimageräte u.a.), Bildschirmgeräte und Großgeräte gilt; für die 1:1-Rücknahme von Lampen, Kleingeräten und kleinen ITK-Geräten durch Endnutzer sowie die 0:1-Rücknahme müssen Versandhändler Rückgabemöglichkeiten in zumutbarer Entfernung zum Endverbraucher bereitstellen.

Als Hersteller informieren wir darüber, dass Altgeräte privater Haushalte (B2C Geräte) an einer dafür vorgesehenen Sammelstelle zurückgegeben werden können. Für Details wenden Sie sich an Ihre örtliche Behörden. Weiterführende Informationen finden Sie hier: <https://www.stiftung-ear.de/de/startseite> oder hier: <https://e-schrott-entsorgen.org/>. Achtung: Die Verantwortung für das Löschen von personenbezogenen Daten, die sich auf dem zu entsorgenden Gerät befinden, liegt beim Endnutzer!

Das Symbol mit der durchgestrichenen Mülltonne weist darauf hin, dass Produkte, deren Batterien/Akkumulatoren und/oder Verpackungen getrennt vom Hausmüll gesammelt und entsorgt werden müssen. Der schwarze Balken zeigt an, dass das Produkt nach dem 13. August 2005 auf den Markt gebracht wurde.

Die Sammel- und Recyclingquoten der Bundesrepublik Deutschland können auf der Seite des Bundesumweltministeriums eingesehen werden: <https://www.bmu.de/themen/wasser-ressourcen-abfall/kreislaufwirtschaft/statistiken/elektro-und-elektronikaltgeraete>.

(58-M02 WEEE de 02)

#### Información para usuarios sobre la recogida y eliminación de los equipos antiguos



Este símbolo en los productos, embalajes y documentos anexos significa que los productos eléctricos y electrónicos no deben mezclarse con los desperdicios domésticos normales. Para el tratamiento, recuperación y reciclaje apropiados de los productos antiguos, llévelos a puntos de reciclaje correspondientes, de acuerdo con la legislación nacional.

Al deshacerse de estos productos de forma correcta, ayudará a ahorrar recursos valiosos y a impedir los posibles efectos desfavorables en la salud humana y en el entorno que de otro modo se producirían si se tratan los desperdicios de modo inapropiado.

Para obtener más información acerca de la recogida y el reciclaje de los productos antiguos, póngase en contacto con las autoridades locales, con el servicio de eliminación de basuras o con el punto de venta donde adquirió los artículos.

#### Para los usuarios empresariales de la Unión Europea:

Si desea desechar equipos eléctricos y electrónicos, póngase en contacto con su vendedor o proveedor para obtener más información.

#### Información sobre la eliminación en otros países fuera de la Unión Europea:

Este símbolo solo es válido en la Unión Europea. Si desea desechar estos artículos, póngase en contacto con las autoridades locales o con el vendedor y pregúnteles el método correcto.

(58-M02 WEEE es 01)

#### Informazioni per gli utenti sulla raccolta e lo smaltimento di vecchia attrezzatura



Questi simboli sui prodotti, sull'imballaggio e/o sui documenti che li accompagnano, indicano che i prodotti elettrici ed elettronici non devono essere mischiati con i rifiuti generici.

Per il trattamento, il recupero e il riciclaggio appropriato di vecchi prodotti, si prega di portarli ai punti di raccolta designati, in accordo con la legislazione locale.

Smaltendo correttamente questi prodotti si potranno recuperare risorse preziose, oltre a prevenire potenziali effetti negativi sulla salute e l'ambiente che potrebbero sorgere a causa del trattamento improprio dei rifiuti.

Per ulteriori informazioni sulla raccolta e il riciclaggio di vecchi prodotti, si prega di contattare l'amministrazione comunale locale, il servizio di smaltimento dei rifiuti o il punto vendita dove sono stati acquistati gli articoli.

#### Per utenti imprenditori dell'Unione europea:

Se si desidera scartare attrezzatura elettrica ed elettronica, si prega di contattare il proprio rivenditore o il proprio fornitore per ulteriori informazioni.

#### Informazioni sullo smaltimento negli altri Paesi al di fuori dell'Unione europea:

Questi simboli sono validi solamente nell'Unione Europea: se si desidera scartare questi articoli, si prega di contattare le autorità locali o il rivenditore e richiedere informazioni sulla corretta modalità di smaltimento.

(58-M02 WEEE it 01)

#### Informações para os usuários relativas à coleta e à eliminação de equipamentos usados



Este símbolo, presente em produtos, embalagens e/ou incluído na documentação associada, indica que os produtos elétricos e eletrônicos usados não devem ser descartados juntamente com os resíduos domésticos em geral.

O procedimento correto consiste no tratamento, na recuperação e na reciclagem de produtos usados, que devem ser levados aos pontos de coleta adequados, em conformidade com a legislação nacional em vigor.

O descarte desses produtos de forma adequada permite poupar recursos valiosos e evitar potenciais efeitos prejudiciais para a saúde pública e para o ambiente, associados ao processamento incorreto dos resíduos.

Para obter mais informações relativas à coleta e à reciclagem de produtos usados, contate as autoridades locais, o serviço de descarte de resíduos ou o ponto de venda onde foram adquiridos os itens relevantes.

#### Informações para usuários empresariais na União Europeia:

Para descartar equipamentos elétricos e eletrônicos, contate o seu revendedor ou fornecedor para obter informações adicionais.

#### Informações relativas ao descarte em países não pertencentes à União Europeia:

Este símbolo é válido exclusivamente na União Europeia. Caso pretenda descartar esses tipos de itens, contate as autoridades locais ou o seu revendedor e informe-se sobre o procedimento correto de descarte.

(58-M02 WEEE pt-BR 01)

## Important Notice: Guarantee Information for customers in European Economic Area (EEA) and Switzerland

<b>Important Notice: Guarantee Information for customers in EEA* and Switzerland</b>	<b>English</b>
For detailed guarantee information about this Yamaha product, and Pan-EEA* and Switzerland warranty service, please either visit the website address below (Printable file is available at our website) or contact the Yamaha representative office for your country. * EEA: European Economic Area	
<b>Wichtiger Hinweis: Garantie-Information für Kunden in der EWR* und der Schweiz</b>	<b>Deutsch</b>
Für nähere Garantie-Information über dieses Produkt von Yamaha, sowie über den Pan-EWR*- und Schweizer Garantieservice, besuchen Sie bitte entweder die folgende angegebene Internetadresse (eine druckfähige Version befindet sich auch auf unserer Webseite), oder wenden Sie sich an den für Ihr Land zuständigen Yamaha-Vertrieb, *EWR: Europäischer Wirtschaftsraum	
<b>Remarque importante: informations de garantie pour les clients de l'EEE et la Suisse</b>	<b>Français</b>
Pour des informations plus détaillées sur la garantie de ce produit Yamaha et sur le service de garantie applicable dans l'ensemble de l'EEE ainsi qu'en Suisse, consultez notre site Web à l'adresse ci-dessous (le fichier imprimable est disponible sur notre site Web) ou contactez directement Yamaha dans votre pays de résidence. * EEE : Espace Economique Européen	
<b>Belangrijke mededeling: Garantie-informatie voor klanten in de EER* en Zwitserland</b>	<b>Nederlands</b>
Voor gedetailleerde garantie-informatie over dit Yamaha-product en de garantieservice in heel de EER* en Zwitserland, gaat u naar de onderstaande website (u vind een afdrukbaar bestand op onze website) of neemt u contact op met de vertegenwoordiging van Yamaha in uw land. * EER: Europese Economische Ruimte	
<b>Aviso importante: información sobre la garantía para los clientes del EEE* y Suiza</b>	<b>Español</b>
Para una información detallada sobre este producto Yamaha y sobre el soporte de garantía en la zona EEE* y Suiza, visite la dirección web que se incluye más abajo (la versión del archivo para imprimir está disponible en nuestro sitio web) o póngase en contacto con el representante de Yamaha en su país. * EEE: Espacio Económico Europeo	
<b>Aviso importante: informazioni sulla garanzia per i clienti residenti nell'EEA* e in Svizzera</b>	<b>Italiano</b>
Per informazioni dettagliate sulla garanzia relativa a questo prodotto Yamaha e l'assistenza in garanzia nei paesi EEA* e in Svizzera, potete consultare il sito Web all'indirizzo riportato di seguito (è disponibile il file in formato stampabile) oppure contattare l'ufficio di rappresentanza locale della Yamaha. * EEA: Area Economica Europea	
<b>Aviso importante: informações sobre as garantias para clientes da AEE* e da Suíça</b>	<b>Português</b>
Para obter uma informação pormenorizada sobre este produto da Yamaha e sobre o serviço de garantia na AEE* e na Suíça, visite o site a seguir (o arquivo para impressão está disponível no nosso site) ou entre em contato com o escritório de representação da Yamaha no seu país. * AEE: Área Económica Europeia	
<b>Σημαντική σημείωση: Πληροφορίες εγγύησης για τους πελάτες στον ΕΟΧ* και Ελλάδα</b>	<b>Ελληνικά</b>
Για λεπτομερείς πληροφορίες εγγύησης σχετικά με το παρόν προϊόν της Yamaha και την κάλυψη εγγύησης σε όλες τις χώρες του ΕΟΧ και την Ελλάδα, επισκεφτείτε την παρακάτω ηλεκτρονική διεύθυνση (επιτυχιώδη σελίδα μας) ή απευθυνθείτε στην αντιπροσωπεία της Yamaha στη χώρα σας. * ΕΟΧ: Ευρωπαϊκός Οικονομικός Χώρος	
<b>Viktigt: Garantierinformation för kunder i EES-området* och Schweiz</b>	<b>Svenska</b>
För detaljerad information om denna Yamaha-produkt samt garantier och i hela EES-området* och Schweiz kan du antingen besöka nedanstående webbadress (en utskriftsvärdig fil finns på webbplatsen) eller kontakta Yamahas officiella representant i ditt land. * EES: Europeiska Ekonomiska Samarbetsområdet	
<b>Viktig merknad: Garantierinformasjon for kunder i EØS* og Sveits</b>	<b>Norsk</b>
Detaljert garantierinformasjon om dette Yamaha-produktet og garantier for hele EØS-området* og Sveits kan fås enten ved å besøke nettstedene nedenfor (utskriftsversjon finnes på våre nettsider) eller kontakte kontakta Yamaha-kontoret i landet der du bor. *EØS: Det europeiske økonomiske samarbeidsområdet	
<b>Vigtigt oplysning: Garantioplysninger til kunder i EØO* og Schweiz</b>	<b>Dansk</b>
De kan finde detaljerede garantioplysninger om dette Yamaha-produkt og den fælles garantiserviceordning for EØO* (og Schweiz) ved at besøge det websted, der er angivet nedenfor (der findes en fil, som kan udskrives, på vores websted), eller ved at kontakte Yamahas nationale repræsentationskontor i det land, hvor De bor. * EØO: Det Europæiske Økonomiske Område	

<b>Tärkeä ilmoitus: Takuutiedot Euroopan talousalueen (ETA)* ja Sveitsin asiakkaille</b>	<b>Suomi</b>
Tämän Yamaha-tuotteen sekä ETA-alueen ja Sveitsin takuuta koskevat yksityiskohtaiset tiedot saatte alla olevasta nettiosoitteesta. (Tulostettava tiedosto saatavissa sivustollamme.) Voitte myös ottaa yhteyttä paikalliseen Yamaha-edustajaan. *ETA: Euroopan talousalue	
<b>Ważne: Warunki gwarancyjne obowiązujące w EOG* i Szwajcarii</b>	<b>Polski</b>
Aby dowiedzieć się więcej na temat warunków gwarancyjnych tego produktu firmy Yamaha i serwisu gwarancyjnego w całym EOG* i Szwajcarii, należy odwiedzić wskazaną poniżej stronę internetową (Plik gotowy do wydruku znajduje się na naszej stronie internetowej) lub skontaktować się z przedstawicielstwem firmy Yamaha w swoim kraju. * EOG — Europejski Obszar Gospodarczy	
<b>Důležité oznámení: Zásuní informace pro zákazníky v EHS* a ve Švýcarsku</b>	<b>Česky</b>
Podrobné zásuní informace o tomto produktu Yamaha a zásuní servisu v celém EHS* a ve Švýcarsku naleznete na níže uvedené webové adrese (soubor k tisku je dostupný na našich webových stránkách) nebo se můžete obrátit na zástupcei firmy Yamaha ve své zemi. * EHS: Evropský hospodářský prostor	
<b>Fontos figyelemzetés: Garancia-információk az EGT* területén és Svájcban élő vásárlók számára</b>	<b>Magyar</b>
A jelen Yamaha termékre vonatkozó részletes garancia-információk, valamint az EGT*-re és Svájcra kiterjedő garanciális szolgáltatás tekintetében keressék fel webhelyünket az alábbi címeken (a webhelyen nyomtatható fájl is talál), vagy pedig lépjen kapcsolatba az országában működő Yamaha képviselői irodával. * EGT: Európai Gazdasági Térség	
<b>Oluline märkus: Garantiteave Euroopa Majanduspiirkonna (EMP)* ja Šveitsi klientidele</b>	<b>Eesti keel</b>
Täpsemate teabe saamiseks selle Yamaha toote garantii ning kogu Euroopa Majanduspiirkonna ja Šveitsi garantiteenitunde kohta, külastage palun veebisaiti alljärgneval aadressil (meie saidil on saadaval printitav fail) või pöörduge Teie regiooni Yamaha esinduse poole. * EMP: Euroopa Majanduspiirkond	
<b>Svarīgs paziņojums: garantijas informācija klientiem EEZ* un Šveicē</b>	<b>Latviešu</b>
Lai saņemtu detalizētu garantijas informāciju par šo Yamaha produktu, kā arī garantijas apkalpošanu EEZ* un Šveicē, lūdzam apmeklējiet zemāk norādīto tīmekļa vietnes adresi (tīmekļa vietni ir pieejams drukājams fails) vai sazinieties ar jūsu valsti apkalpojošo Yamaha pārstāvniecību. * EEZ: Eiropas Ekonomikas zona	
<b>Dėmesio: informacija dėl garantijos pirkėjams EEE* ir Šveicarijoje</b>	<b>Lietuvių kalba</b>
Jei reikia išsamioms informacijos apie šį „Yamaha“ produktą ir jo techninę priežiūrą visoje EEE* ir Šveicarijoje, apsilankykite mūsų svetainėje norėdami sužinoti adresą (svetainėje yra spausdinamas failas) arba kreipkitės į „Yamaha“ atstovybę savo šalyje. *EEE – Europos ekonominė erdvė	
<b>Dôležité upozornenie: Informácie o záruke pre zákazníkov v EHP* a Švajčiarsku</b>	<b>Slovenčina</b>
Podrobné informácie o záruke týkajúce sa tohto produktu od spoločnosti Yamaha a garancijnom servise v EHP* a Švajčiarsku nájdete na webovej stránke uvedenej nižšie (na našej webovej stránke je k dispozícii súbor na tlač) alebo sa obráťte na zástupcu spoločnosti Yamaha vo svojej krajine. * EHP: Európsky hospodársky priestor	
<b>Pomembno obvestilo: Informacije o garanciji za kupce v EGP* in Švici</b>	<b>Stovenščina</b>
Za podrobneše informacije o tem Yamahinem izdelku ter garancijnem servisu v celotnem EGP in Švici, obiščite spletno mesto, ki je navedeno spodaj (natisljiva datoteka je na voljo na našem spletnem mestu), ali se obrnite na Yamahinega predstavnika v svoji državi. * EGP: Evropski gospodarski prostor	
<b>Важно съобщение: Информация за гаранцията за клиенти в ЕИП* и Швейцария</b>	<b>Български език</b>
За подробна информация за гаранцията за този продукт на Yamaha и гаранционното обслужване в паневропейската зона на ЕИП* и Швейцария или посетете посочения по-долу уеб сайт (на нашия уеб сайт има файл за печат), или се свържете с представителния офис на Yamaha във вашата страна. * ЕИП: Европейско икономическо пространство	
<b>Notificare importantă: Informații despre garanție pentru clienții din SEE* și Elveția</b>	<b>Limba română</b>
Pentru informații detaliate privind acest produs Yamaha și serviciul de garanție Pan-SEE* și Elveția, vizitați site-ul la adresa de mai jos (fișierul imprimabil este disponibil pe site-ul nostru) sau contactați biroul reprezentanței Yamaha din țara dumneavoastră. * SEE: Spațiul Economic European	
<b>Važna obavijest: Informacije o jamstvu za države EGP-a i Švicarsku</b>	<b>Hrvatski</b>
Za detaljne informacije o jamstvu za ovaj Yamahin proizvod te jamstvenom servisu za cijeli EGP i Švicarsku, molimo Vas da posjetite web-stranicu navedenu u nastavku ili kontaktirate ovlaštenog Yamahinog dobavljača u svojoj zemlji. * EGP: Evropski gospodarski prostor	

<https://europe.yamaha.com/warranty/>

# MEMO

# Yamaha Worldwide Representative Offices

## English

For details on the product(s), contact your nearest Yamaha representative or the authorized distributor, found by accessing the 2D barcode below.

## Deutsch

Wenden Sie sich für nähere Informationen zu Produkten an eine Yamaha-Vertretung oder einen autorisierten Händler in Ihrer Nähe. Diese finden Sie mithilfe des unten abgebildeten 2D-Strichcodes.

## Français

Pour obtenir des informations sur le ou les produits, contactez votre représentant ou revendeur agréé Yamaha le plus proche. Vous le trouverez à l'aide du code-barres 2D ci-dessous.

## Español

Para ver información detallada sobre el producto, contacte con su representante o distribuidor autorizado Yamaha más cercano. Lo encontrará escaneando el siguiente código de barras 2D.

## Italiano

Per dettagli sui prodotti, contattare il rappresentante Yamaha o il distributore autorizzato più vicino, che è possibile trovare tramite il codice a barre 2D in basso.



[https://manual.yamaha.com/pa/address\\_list/](https://manual.yamaha.com/pa/address_list/)

## Português

Para mais informações sobre o(s) produto(s), fale com seu representante da Yamaha mais próximo ou com o distribuidor autorizado acessando o código de barras 2D abaixo.

## Русский

Чтобы узнать подробнее о продукте (продуктах), свяжитесь с ближайшим представителем или авторизованным дистрибьютором Yamaha, воспользовавшись двухмерным штрихкодом ниже.

## 简体中文

如需有关产品的详细信息，请联系距您最近的Yamaha代表或授权经销商，可通过访问下方的2D条形码找到这些代表或经销商的信息。

## 繁體中文

如需產品的詳細資訊，請聯絡與您距離最近的Yamaha銷售代表或授權經銷商，您可以掃描下方的二維條碼查看相關聯絡資料。

## 한국어

제품에 대한 자세한 정보는 아래 2D 바코드에 액세스하여 가까운 Yamaha 담당 판매점 또는 공식 대리점에 문의하십시오.

**Head Office/Manufacturer: Yamaha Corporation** 10-1, Nakazawa-cho, Chuo-ku, Hamamatsu, 430-8650, Japan

**Importer (European Union): Yamaha Music Europe GmbH** Siemensstrasse 22-34, 25462 Rellingen, Germany

**Importer (United Kingdom): Yamaha Music Europe GmbH (UK)** Sherbourne Drive, Tilbrook, Milton Keynes, MK7 8BL, United Kingdom



## 雅马哈乐器音响（中国）投资有限公司

上海市静安区新闻路1818号云和大厦2楼

客户服务热线：4000517700

公司网址：<https://www.yamaha.com.cn>

制造商：雅马哈株式会社

制造商地址：日本静冈县滨松市中央区中泽町10-1

进口商：雅马哈乐器音响（中国）投资有限公司

进口商地址：上海市静安区新闻路1818号云和大厦2楼

原产地：印度尼西亚

台灣山葉音樂股份有限公司

YAMAHA MUSIC & ELECTRONICS TAIWAN CO., LTD.

<https://tw.yamaha.com>

總公司: (02) 7741-8888 新北市板橋區遠東路1號2樓

客服專線: 0809-091388

原產地：印尼

Yamaha Pro Audio global website  
<https://www.yamahaproaudio.com/>

Yamaha Downloads  
<https://download.yamaha.com/>

© 2024 Yamaha Corporation  
Published 03/2025  
2025年3月发行  
CREI-B0



VJF4500