



AUDIO INTERFACE CARD

HY128-MD

- Owner's Manual
- Bedienungsanleitung
- Mode d'emploi
- Manual de instrucciones
- Manual do Proprietário
- Manuale di istruzioni
- Руководство пользователя
- 使用说明书
- 사용 설명서
- 取扱説明書

EN

DE

FR

ES

PT

IT

RU

ZH

KO

JA

English

Deutsch

Français

Español

Português

Italiano

Русский

中文

한국어

日本語

COMPLIANCE INFORMATION STATEMENT (Supplier's declaration of conformity procedure)

Responsible Party: Yamaha Corporation of America
Address: 6600 Orangethorpe Ave., Buena Park, Calif. 90620
Telephone: 714-522-9011
Type of Equipment: Audio Interface Card
Model Name: HY128-MD

This device complies with Part 15 of the FCC Rules.

Operation is subject to the following two conditions:

- 1) this device may not cause harmful interference, and
- 2) this device must accept any interference received including interference that may cause undesired operation.

* This applies only to products distributed by Yamaha Corporation of America.

(FCC SDOC)

FCC INFORMATION (U.S.A.)

1. IMPORTANT NOTICE: DO NOT MODIFY THIS UNIT!

This product when installed as indicated in the instructions contained in this manual, meets FCC requirements. Modifications not expressly approved by Yamaha may void your authority, granted by the FCC, to use the product.

- 2. IMPORTANT:** When connecting this product to accessories and/or another product use only high quality shielded cables. Cable/s supplied with this product **MUST** be used. Follow all installation instructions. Failure to follow instructions could void your FCC authorization to use this product in the USA.

- 3. NOTE:** This product has been tested and found to comply with the requirements listed in FCC Regulations, Part 15 for Class "B" digital devices. Compliance with these requirements provides a reasonable level of assurance that your use of this product in a residential environment will not result in harmful interference with other electronic devices. This equipment generates/uses radio frequencies and, if not installed and used according to the instructions found in the users manual, may cause interference harmful to the operation of other electronic devices. Compliance with FCC

regulations does not guarantee that interference will not occur in all installations. If this product is found to be the source of interference, which can be determined by turning the unit "OFF" and "ON" please try to eliminate the problem by using one of the following measures:

- Relocate either this product or the device that is being affected by the interference.
- Utilize power outlets that are on different branch (circuit breaker or fuse) circuits or install AC line filter/s.
- In the case of radio or TV interference relocate/reorient the antenna. If the antenna lead-in is 300 ohm ribbon lead, change the lead-in to co-axial type cable.

If these corrective measures do not produce satisfactory results, please contact the local retailer authorized to distribute this type of product. If you cannot locate the appropriate retailer, please contact Yamaha Corporation of America, Electronic Service Division, 6600 Orangethorpe Ave. Buena Park CA 90620, USA

The above statements apply **ONLY** to those products distributed by Yamaha Corporation of America or its subsidiaries.

(class B)

CAN ICES-3 (B)/NMB-3(B)

(can_b_02)

PRECAUTIONS

PLEASE READ CAREFULLY BEFORE PROCEEDING

Please keep this manual in a safe place for future reference.



WARNING

Always follow the basic precautions listed below to avoid the possibility of serious injury or even death from electrical shock, short-circuiting, damages, fire or other hazards. These precautions include, but are not limited to, the following:

- Before installing the card in a device, check to make sure that the device is compatible with the card. Also, do not install the card in any Yamaha products not specified by Yamaha for use with the card to prevent electrical shock, fire, or damage to the product(s).
- Do not attempt to disassemble or modify the card. Do not apply excessive force to card connectors or other card components. Doing so may cause electrical shock, fire, or damage to the product(s).
- Be sure to turn off the host device and disconnect the power cable of the host device before installing the card and connecting/disconnecting the cables to prevent electrical shock, undesired noise, or damage to the product(s).
- Be sure to turn off the host device and all peripheral devices connected to the host device before installation, and unplug all related cables to prevent electrical shock, undesired noise, or damage to the product(s).
- Do not place any burning items or open flames near the product. Doing so may cause a fire.



CAUTION

Always follow the basic precautions listed below to avoid the possibility of physical injury to you or others, or damage to the device or other property. These precautions include, but are not limited to, the following:

- Be sure to properly ground the host device to prevent electrical shock, fire, or damage to the product(s).
- Do not touch the metallic leads (pins) of the circuit board when handling the card. Doing so may cause hand cuts.

- Be sure to wear a pair of heavy gloves during installation to prevent scratching or cutting your hands on sharp edges.
- Do not place the product in a location where it may come into contact with corrosive gases or salt air. Doing so may cause damage to the product(s).

Yamaha cannot be held responsible for damage caused by improper use or modifications to the product, or data that is lost or destroyed.

NOTICE

To avoid the possibility of malfunction/damage to the product, damage to data, or damage to other property, follow the notices below.

Handling and maintenance

- Do not expose the product to excessive dust or vibration, or extreme cold or heat (such as in direct sunlight, near a heater, or in a car during the day), in order to prevent the possibility of panel disfiguration, unstable operation, or damage to the internal components.
- Condensation can occur in the product due to rapid, drastic changes in ambient temperature—when the product is moved from one location to another, or air conditioning is turned on or off, for example. Using the product while condensation is present can cause damage. If there is reason to believe that condensation might have occurred, leave the product for several hours without turning on the power until the condensation has completely dried out.
- Do not place vinyl, plastic or rubber objects on the product, since this might discolor the panel.
- When cleaning the product, use a dry and soft cloth. Do not use paint thinners, solvents, cleaning fluids, or chemical-impregnated wiping cloths.
- Avoid touching exposed connectors and metal parts to minimize the possibility of bad connections.
- Drain all static electricity from your clothing and body before handling the card. Static electricity can damage the card. Touch an exposed metal part of the host device or other grounded object beforehand.
- Do not drop the card or subject it to physical shock as this can result in breakage and/or malfunction.

Information

About this manual

- The illustrations as shown in this manual are for instructional purposes only.
- The company names and product names in this manual are the trademarks or registered trademarks of their respective companies.
- Software may be revised and updated without prior notice.

About disposal

- This product contains recyclable components.
When disposing of this product, please contact the appropriate local authorities.

Contents

PRECAUTIONS	3
NOTICE	4
Introduction	7
Main Features	7
Installation/Removal	7
Accessories	7
Part Names and Functions	8
Specifications	(at the end of the book)
Dimensions	(at the end of the book)
Block Diagram	(at the end of the book)

* The contents of this manual apply to the latest specifications as of the publishing date. To obtain the latest manual, access the Yamaha website then download the manual file.

Introduction

Thank you for choosing the HY128-MD. This product is an audio interface card for RIVAGE PM series used for large events and in large-scale hall facilities. This owner's manual describes the operation and specifications of this expansion card used to connect MADI-compatible devices with the RIVAGE PM system. To take full advantage of the various features offered by this product, please read this owner's manual carefully before using your card. After you have read the manual, keep it in a safe place.

Main Features

- Can send and receive a maximum of 128 inputs/128 outputs of MADI signals (1Fs), 64 inputs/64 outputs (2Fs), and 32 inputs/32 outputs (4Fs).
- Redundant connections are supported with a dual optical fiber and coaxial connector system.
- Both inputs and outputs are equipped with an SRC.
- Input audio signals can be split and looped back to output connectors on the same system (MADI split).
- Supports two channel modes, with 64 channels and 56 channels, respectively.

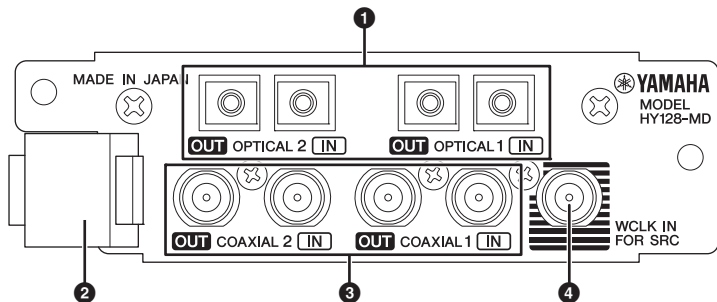
Installation/Removal

Refer to the leaflet included with the card for installation and removal. Refer to the owner's manual supplied with each device for more information about installation and removal.

Accessories

- Owner's Manual (This document)
- Card installation instructions leaflet

Part Names and Functions



1 OPTICAL 1 IN/OUT connectors OPTICAL 2 IN/OUT connectors

These are SC connectors used for connecting MADI-compatible devices. Each connector can input or output audio signals, up to a maximum of 64 channels.

NOTE

- Use multi-mode optical fiber cables with a core diameter of 62.5 μm /cladding diameter of 125 μm , or a core diameter of 50 μm /cladding diameter of 125 μm .
- Cables of up to 2,000 meters (theoretical value) can be used.
- Use dual SC connectors (SC duplex).
- Use the plastic cap provided to cover up cables not in use to avoid dust contamination.

Cleaning

Correct communication might not be possible if debris and/or dust has adhered to the ends of optical fiber cables or the connectors. Clean the equipment regularly by using commercially available optical fiber cleaning products.

2 Card installation/removal lever

Used for installing/removing the card. Refer to the leaflet included with the card for installation. Refer to the owner's manual supplied with each device for more information about installation and removal.

3 COAXIAL 1 IN/OUT connectors COAXIAL 2 IN/OUT connectors

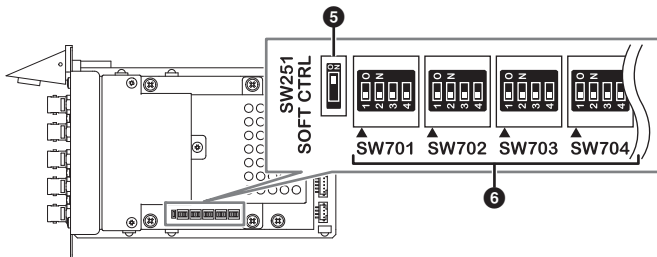
These are BNC connectors used for connecting MADI-compatible devices. Each connector can input or output audio signals, up to a maximum of 64 channels.

NOTE

Cables of up to 100 meters (theoretical value) can be used.

4 WCLK IN FOR SRC connector

This is a BNC connector used to directly input the word clock signal for the SRC. The indicator will turn on when a valid word clock input is detected, and will flash when the word clock input is invalid.



5 Software Control

This switch selects whether to change the HY128-MD settings with a control surface or the DIP switches.

SW251 (SOFT CTRL)	Settings
ON (Enable)	For changing the settings with the control surface (default setting)
OFF (Disable)	For changing the settings with the DIP switches on the card

6 DIP switches

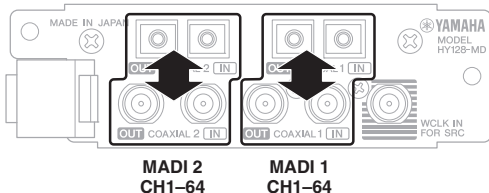
NOTE

When the "Software Control" is ON (Enable), all settings of the following DIP switches will be invalid.

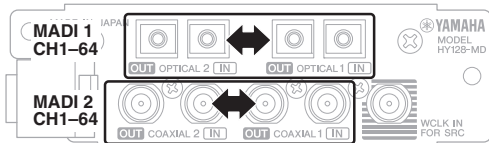
Redundant Mode

Select a redundant combination. The following two redundant combinations are available.

Mode 1 Establishing redundancy with an OPTICAL and COAXIAL combination.



Mode 2 Establishing redundancy between OPTICAL or COAXIAL pairs.



Input Priority

Select the input signal to prioritize the two desired redundant lines.

SW701		Settings
1	2	
OFF	OFF	Mode 1 Prioritize the OPTICAL 1 and OPTICAL 2 signals (default setting)
	ON	Mode 1 Prioritize the COAXIAL 1 and COAXIAL 2 signals
ON	OFF	Mode 2 Prioritize the OPTICAL 1 and COAXIAL 1 signals
	ON	Mode 2 Prioritize the OPTICAL 2 and COAXIAL 2 signals

SPLIT ON/OFF

Select whether the input signals should be split for sending to output connectors. The send destination is the output connector on the same system.

SW701	
Settings	
3 (MADI 1) 4 (MADI 2)	
OFF	Do not split input signals (default setting)
ON	Split input signals when sending them to output connectors

INPUT RATE

Select whether to process MADI input signals at an input rate of 1Fs, 2Fs or 4Fs.

NOTE

When "2Fs" is selected, this card will automatically detect the MADI input signal frame rate (48k frame or 96k frame).

SW702		Settings
1 (MADI 1) 3 (MADI 2)	2 (MADI 1) 4 (MADI 2)	
OFF	OFF	1Fs, 44.1 kHz/48 kHz, maximum 64 ch (default setting)
ON	OFF	2Fs, 88.2 kHz/96 kHz, maximum 32 ch
OFF	ON	4Fs, 176.4 kHz/192 kHz, maximum 16 ch
ON	ON	Not in use (1Fs)

Input SRC ON/OFF

Select whether to turn SRC on or off for MADI input signals.

SW703		Settings
1 (MADI 1) 2 (MADI 2)		
OFF	SRC off (default setting) The same clock must be supplied for both the device on which this card is installed and the MADI-compatible device connected to the input side.	
ON	SRC on Syncs the input MADI signal to the device's clock on which this card is installed.	

Input SRC Clock

Select the reference clock for input SRC. This setting is invalid when the Input SRC ON/OFF setting is off.

SW703	Settings
3 (MADI 1) 4 (MADI 2)	
OFF	The clock synced to the MADI input signal (default setting)
ON	Clock input from the [WCLK IN FOR SRC] connector

Output SRC ON/OFF

Select whether to turn SRC on or off for MADI output signals.

SW704	Settings
1 (MADI 1) 2 (MADI 2)	
OFF	SRC off (default setting) Outputs the MADI signal synced to the device's clock on which this card is installed.
ON	SRC on Outputs the MADI signal synced to the output reference clock. The output reference clock is set in Output SRC Clock.

Output SRC Clock

Select the reference clock for output SRC. This setting is invalid when the Output SRC ON/OFF setting is off.

SW704	Settings
3 (MADI 1) 4 (MADI 2)	
OFF	The clock synced to the MADI input signal (default setting)
ON	Clock input from the [WCLK IN FOR SRC] connector

SW705 are not used.

Specifications

Sampling Frequency

Parameter		Conditions	Min.	Typ.	Max.	Units
MADI IN/OUT WCLK IN FOR SRC	1Fs	44.1 kHz	-12.5	—	+12.5	%
		48 kHz				
	2Fs	88.2 kHz				
		96 kHz				
	4Fs	176.4 kHz				
192 kHz						
Card Clock		Fs=44.1 kHz, 48 kHz, 88.2 kHz, 96 kHz *1	-1000	—	+1000	ppm

*1: This depends on the specification of the host device in which this card is inserted.

MADI Channels & Formats

Parameter	Conditions	Format
1Fs	Fs=44.1 kHz/48 kHz	MADI Single fs 44.1/48k frame, 56/64 channels
2Fs	Fs=88.2 kHz/96 kHz	MADI Double fs 44.1/48k frame, 28/32 channels
		MADI Double fs 88.2/96k frame, 28/32 channels
4Fs	Fs=176.4 kHz/192 kHz	MADI Quad fs 44.1/48k frame, 14/16 channels

Digital Input/Output Characteristics

Terminal	Format	Audio Data length	Level	Connector
OPTICAL 1 IN/ OPTICAL 2 IN ^{*2}	AES10-2008 (MADI)	24-bit	-31 – -14 dBm	SC
OPTICAL 1 OUT/ OPTICAL 2 OUT ^{*2}			-23.5 – -14 dBm	SC
COAXIAL 1 IN/ COAXIAL 2 IN ^{*3}			0.15 – 0.6 Vp-p	BNC
COAXIAL 1 OUT/ COAXIAL 2 OUT ^{*3}			0.3 – 0.6 Vp-p	BNC
WCLK IN FOR SRC	—	—	TTL ^{*4}	BNC

*2: Use graded index multi-mode optical fiber cables with a core diameter of 62.5 µm/
cladding diameter of 125 µm, or a core diameter of 50 µm/cladding diameter of
125 µm.

*3: Use 75 ohm impedance coaxial cables.

*4: 75Ω terminated

Temperature Range

	Conditions	Min.	Typ.	Max.	Unit
Temperature Range	Operating Temperature Range	0	—	40	°C
	Storage Temperature Range	-20		60	°C

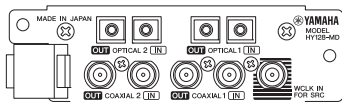
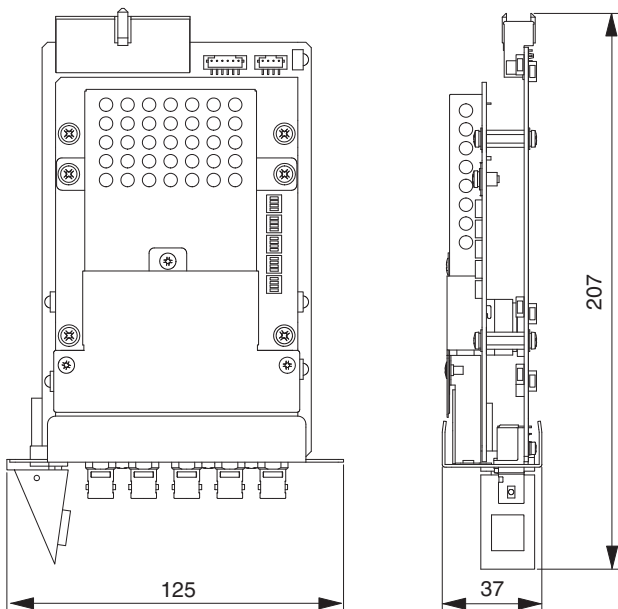
Dimensions (W x H x D) and Net Weight:

125 mm x 37 mm x 207 mm, 0.45 kg

Included Accessories:

Owner's Manual, Card installation instructions leaflet

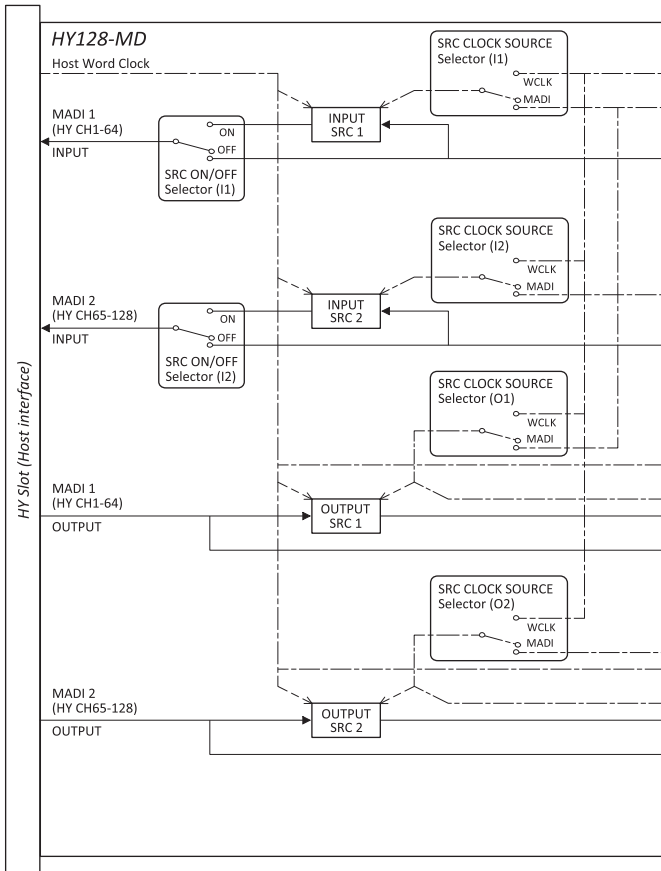
Dimensions

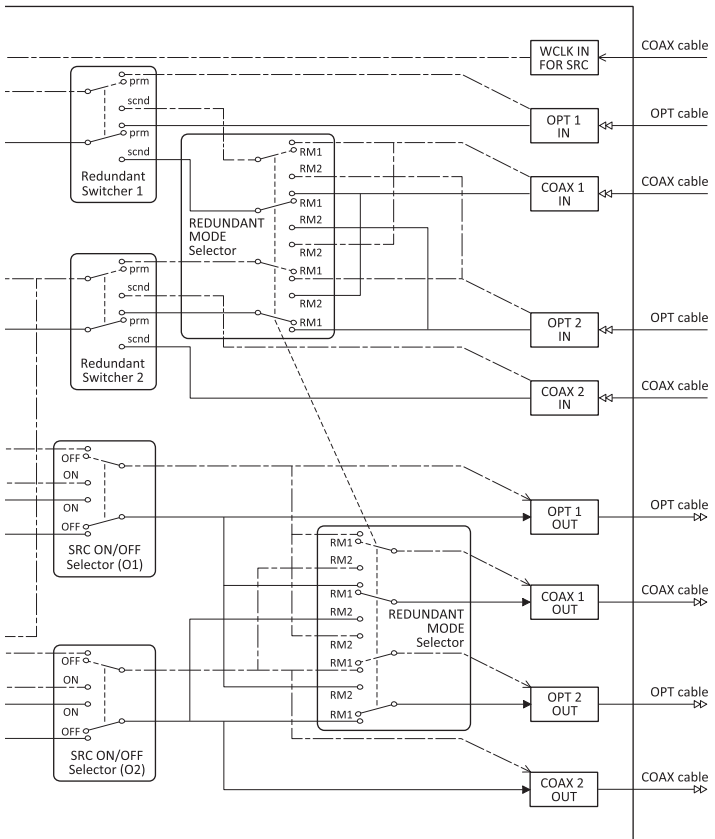
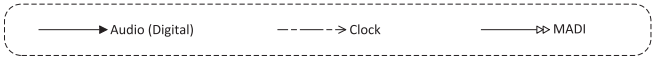


Unit: mm

Approximate Munsell value of exterior color: N5.0

Block Diagram





Information for users on collection and disposal of old equipment:



This symbol on the products, packaging, and/or accompanying documents means that used electrical and electronic products should not be mixed with general household waste.

For proper treatment, recovery and recycling of old products, please take them to applicable collection points, in accordance with your national legislation.

By disposing of these products correctly, you will help to save valuable resources and prevent any potential negative effects on human health and the environment which could otherwise arise from inappropriate waste handling.

For more information about collection and recycling of old products, please contact your local municipality, your waste disposal service or the point of sale where you purchased the items.

For business users in the European Union:

If you wish to discard electrical and electronic equipment, please contact your dealer or supplier for further information.

Information on Disposal in other Countries outside the European Union:

This symbol is only valid in the European Union. If you wish to discard these items, please contact your local authorities or dealer and ask for the correct method of disposal.

(weee_eu_en_02)

Verbraucherinformation zur Sammlung und Entsorgung alter Elektrogeräte



Befindet sich dieses Symbol auf den Produkten, der Verpackung und/oder beiliegenden Unterlagen, so sollten benutzte elektrische Geräte nicht mit dem normalen Haushaltsabfall entsorgt werden.

In Übereinstimmung mit Ihren nationalen Bestimmungen bringen Sie alte Geräte bitte zur fachgerechten Entsorgung, Wiederaufbereitung und Wiederverwendung zu den entsprechenden Sammelstellen.

Durch die fachgerechte Entsorgung der Elektrogeräte helfen Sie, wertvolle Ressourcen zu schützen, und verhindern mögliche negative Auswirkungen auf die menschliche Gesundheit und die Umwelt, die andernfalls durch unsachgerechte Müllentsorgung auftreten könnten.

Für weitere Informationen zum Sammeln und Wiederaufbereiten alter Elektrogeräte kontaktieren Sie bitte Ihre örtliche Stadt- oder Gemeindeverwaltung, Ihren Abfallentsorgungsdienst oder die Verkaufsstelle der Artikel.

Information für geschäftliche Anwender in der Europäischen Union:

Wenn Sie Elektrogeräte ausrangieren möchten, kontaktieren Sie bitte Ihren Händler oder Zulieferer für weitere Informationen.

Entsorgungsinformation für Länder außerhalb der Europäischen Union:

Dieses Symbol gilt nur innerhalb der Europäischen Union. Wenn Sie solche Artikel ausrangieren möchten, kontaktieren Sie bitte Ihre örtlichen Behörden oder Ihren Händler und fragen Sie nach der sachgerechten Entsorgungsmethode.

(weee_eu_de_02)

Informations concernant la collecte et le traitement des déchets d'équipements électriques et électroniques



Le symbole sur les produits, l'emballage et/ou les documents joints signifie que les produits électriques ou électroniques usagés ne doivent pas être mélangés avec les déchets domestiques habituels.

Pour un traitement, une récupération et un recyclage appropriés des déchets d'équipements électriques et électroniques, veuillez les déposer aux points de collecte prévus à cet effet, conformément à la réglementation nationale.

En vous débarrassant correctement des déchets d'équipements électriques et électroniques, vous contribuerez à la sauvegarde de précieuses ressources et à la prévention de potentiels effets négatifs sur la santé humaine qui pourraient advenir lors d'un traitement inapproprié des déchets.

Pour plus d'informations à propos de la collecte et du recyclage des déchets d'équipements électriques et électroniques, veuillez contacter votre municipalité, votre service de traitement des déchets ou le point de vente où vous avez acheté les produits.

Pour les professionnels dans l'Union européenne :

Si vous souhaitez vous débarrasser des déchets d'équipements électriques et électroniques, veuillez contacter votre vendeur ou fournisseur pour plus d'informations.

Informations sur la mise au rebut dans d'autres pays en dehors de l'Union européenne :

Ce symbole est seulement valable dans l'Union européenne. Si vous souhaitez vous débarrasser de déchets d'équipements électriques et électroniques, veuillez contacter les autorités locales ou votre fournisseur et demander la méthode de traitement appropriée.

(weee_eu_fr_02)

Información para usuarios sobre la recogida y eliminación de los equipos antiguos



Este símbolo en los productos, embalajes y documentos anexos significa que los productos eléctricos y electrónicos no deben mezclarse con los desperdicios domésticos normales.

Para el tratamiento, recuperación y reciclaje apropiados de los productos antiguos, líveles a puntos de reciclaje correspondientes, de acuerdo con la legislación nacional.

Al deshacerse de estos productos de forma correcta, ayudará a ahorrar recursos valiosos y a impedir los posibles efectos desfavorables en la salud humana y en el entorno que de otro modo se producirían si se tratan los desperdicios de modo inapropiado.

Para obtener más información acerca de la recogida y el reciclaje de los productos antiguos, póngase en contacto con las autoridades locales, con el servicio de eliminación de basuras o con el punto de venta donde adquirió los artículos.

Para los usuarios empresariales de la Unión Europea:

Si desea desechar equipos eléctricos y electrónicos, póngase en contacto con su vendedor o proveedor para obtener más información.

Información sobre la eliminación en otros países fuera de la Unión Europea:

Este símbolo solo es válido en la Unión Europea. Si desea desechar estos artículos, póngase en contacto con las autoridades locales o con el vendedor y pregúnteles el método correcto.

(weee_eu_es_02)

Informações para os utilizadores relativas à recolha e eliminação de equipamentos usados



Este símbolo, presente em produtos, embalagens e/ou incluído na documentação associada, indica que os produtos elétricos e eletrónicos usados não devem ser eliminados juntamente com os resíduos domésticos em geral. O procedimento correto consiste no tratamento, recuperação e reciclagem de produtos usados, pelo que deve proceder à respetiva entrega nos pontos de recolha adequados, em conformidade com a legislação nacional em vigor.

A eliminação destes produtos de forma adequada permite poupar recursos valiosos e evitar potenciais efeitos prejudiciais para a saúde pública e para o ambiente, associados ao processamento incorreto dos resíduos.

Para mais informações relativas à recolha e reciclagem de produtos usados, contacte as autoridades locais, o serviço de eliminação de resíduos ou o ponto de venda onde foram adquiridos os itens relevantes.

Informações para utilizadores empresariais na União Europeia:

Para proceder à eliminação de equipamento elétrico e eletrónico, contacte o seu revendedor ou fornecedor para obter informações adicionais.

Informações relativas à eliminação em países não pertencentes à União Europeia:

Este símbolo é válido exclusivamente na União Europeia. Caso pretenda eliminar este tipo de itens, contacte as autoridades locais ou o seu revendedor e informe-se acerca do procedimento correto para proceder à respetiva eliminação.

(weee_eu_pt_02a)

Informazioni per gli utenti sulla raccolta e lo smaltimento di vecchia attrezzatura



Questi simboli sui prodotti, sull'imballaggio e/o sui documenti che li accompagnano, indicano che i prodotti elettrici ed elettronici non devono essere mischiati con i rifiuti generici.

Per il trattamento, il recupero e il riciclaggio appropriato di vecchi prodotti, si prega di portarli ai punti di raccolta designati, in accordo con la legislazione locale.

Smaltendo correttamente questi prodotti si potranno recuperare risorse preziose, oltre a prevenire potenziali effetti negativi sulla salute e l'ambiente che potrebbero sorgere a causa del trattamento improprio dei rifiuti.

Per ulteriori informazioni sulla raccolta e il riciclaggio di vecchi prodotti, si prega di contattare l'amministrazione comunale locale, il servizio di smaltimento dei rifiuti o il punto vendita dove sono stati acquistati gli articoli.

Per utenti imprenditori dell'Unione europea:

Se si desidera scartare attrezzatura elettrica ed elettronica, si prega di contattare il proprio rivenditore o il proprio fornitore per ulteriori informazioni.

Informazioni sullo smaltimento negli altri Paesi al di fuori dell'Unione europea:

Questi simboli sono validi solamente nell'Unione Europea; se si desidera scartare questi articoli, si prega di contattare le autorità locali o il rivenditore e richiedere informazioni sulla corretta modalità di smaltimento.

(weee_eu_it_02)

Important Notice: Guarantee Information for customers in European Economic Area (EEA) and Switzerland

Important Notice: Guarantee Information for customers in EEA* and Switzerland	English
For detailed guarantee information about this Yamaha product, and Pan-EEA* and Switzerland warranty service, please either visit the website address below (Printable file is available at our website) or contact the Yamaha representative office for your country. * EEA: European Economic Area	
Wichtiger Hinweis: Garantie-Information für Kunden in der EWR* und der Schweiz	Deutsch
Für nähere Garantie-Information über dieses Produkt von Yamaha, sowie über den Pan-EWR* und Schweizer Garantieservice, besuchen Sie bitte entweder die folgend angegebene Internetadresse (eine druckfähige Version befindet sich auch auf unserer Webseite), oder wenden Sie sich an den für Ihr Land zuständigen Yamaha-Vertrieb. *EWR: Europäischer Wirtschaftsraum	
Remarque importante: informations de garantie pour les clients de l'EEE et la Suisse	Français
Pour des informations plus détaillées sur la garantie de ce produit Yamaha et sur le service de garantie applicable dans l'ensemble de l'EEE ainsi qu'en Suisse, consultez notre site Web à l'adresse ci-dessous (le fichier imprimable est disponible sur notre site Web) ou contactez directement Yamaha dans votre pays de résidence. * EEE : Espace Economique Européen	
Belangrijke mededeling: Garantie-informatie voor klanten in de EER* en Zwitserland	Nederlands
Voor gedetailleerde garantie-informatie over dit Yamaha-product en de garantieservice in heel de EER* en Zwitserland, gaat u naar de onderstaande website (u vindt een afdrukbaar bestand op onze website) of neemt u contact op met de vertegenwoordiging van Yamaha in uw land. * EER: Europese Economische Ruimte	
Aviso importante: información sobre la garantía para los clientes del EEE* y Suiza	Español
Para una información detallada sobre este producto Yamaha y sobre el soporte de garantía en la zona EEE* y Suiza, visite la dirección web que se incluye más abajo (la versión del archivo para imprimir esta disponible en nuestro sitio web) o póngase en contacto con el representante de Yamaha en su país. * EEE: Espacio Económico Europeo	
Avviso importante: informazioni sulla garanzia per i clienti residenti nell'EEA* e in Svizzera	Italiano
Per informazioni dettagliate sulla garanzia relativa a questo prodotto Yamaha e l'assistenza in garanzia nei paesi EEA* e in Svizzera, potete consultare il sito Web all'indirizzo riportato di seguito (è disponibile il file in formato stampabile) oppure contattare l'ufficio di rappresentanza locale della Yamaha. * EEA: Area Economica Europea	
Aviso importante: informações sobre as garantias para clientes da AEE* e da Suíça	Português
Para obter uma informação pormenorizada sobre este produto da Yamaha e sobre o serviço de garantia na AEE* e na Suíça, visite o site a seguir (o arquivo para impressão está disponível no nosso site) ou entre em contato com o escritório de representação da Yamaha no seu país. * AEE: Área Económica Europeia	
Σημαντική σημείωση: Πληροφορίες εγγύησης για τους πελάτες στον ΕΟΧ* και Ελλάδα	Ελληνικά
Για λεπτομερείς πληροφορίες εγγύησης σχετικά με το παρόν προϊόν της Yamaha και την κάλυψη εγγύησης σε όλες τις χώρες του ΕΟΧ και την Ελλάδα, επισκεφτείτε την παρακάτω ιστοσελίδα (Εκτυπώσιμη μορφή είναι διαθέσιμη στην ιστοσελίδα μας) ή απευθυνθείτε στην αντιπροσωπεία της Yamaha στη χώρα σας. * ΕΟΧ: Ευρωπαϊκός Οικονομικός Χώρος	
Viktigt: Garantiinformation för kunder i EES-området* och Schweiz	Svenska
För detaljerad information om denna Yamaha-produkt samt garantiservice i hela EES-området* och Schweiz kan du antingen besöka nedanstående webbadress (en utskriftsvänlig fil finns på webbplatsen) eller kontakta Yamahas officiella representant i ditt land. * EES: Europeiska Ekonomiska Samarbetsområdet	
Viktig merknad: Garantiinformasjon for kunder i EØS* og Sveits	Norsk
Dette gjelder garantiinformasjon om dette Yamaha-produktet og garantiservice for hele EØS-området* og Sveits kan fås enten ved å besøke nettadressen nedenfor (utskriftsversjon finnes på våre nettsider) eller kontakte kontakten Yamaha-kontoret i landet der du bor. *EØS: Det europeiske økonomiske samarbeidsområdet	
Vigtig oplysning: Garantioplysninger til kunder i EØO* og Schweiz	Dansk
De kan finde detaljerede garantioplysninger om dette Yamaha-produkt og den fælles garantiserviceordning for EØO* (og Schweiz) ved at besøge det websted, der er angivet nedenfor (der findes en fil, som kan udskrives, på vores websted), eller ved at kontakte Yamahas nationale repræsentationskontor i det land, hvor De bor. * EØO: Det Europæiske Økonomiske Område	

Tärkeä ilmoitus: Takuutiedot Euroopan talousalueen (ETA)* ja Sveitsin asiakkaille	Suomi
<p>Tämän Yamaha-tuotteen sekä ETA-alueen ja Sveitsin takuuta koskevat yksityiskohtaiset tiedot saatte alla olevasta nettiosoitteesta. (Tulostettava tiedosto saatavissa sivustollamme.) Voitte myös ottaa yhteyttä paikalliseen Yamaha-edustajaan. *ETA: Euroopan talousalue</p>	
Ważne: Warunki gwarancyjne obowiązujące w EOG* i Szwajcarii	Polski
<p>Aby dowiedzieć się więcej na temat warunków gwarancyjnych tego produktu firmy Yamaha i serwisu gwarancyjnego w całym EOG* i Szwajcarii, należy odwiedzić wskazaną poniżej stronę internetową (Plik gotowy do wydruku znajduje się na naszej stronie internetowej) lub skontaktować się z przedstawicielstwem firmy Yamaha w swoim kraju. * EOG — Europejski Obszar Gospodarczy</p>	
Důležité oznámení: Záruční informace pro zákazníky v EHS* a ve Švýcarsku	Česky
<p>Podrobné záruční informace o tomto produktu Yamaha a záručním servisu v celém EHS* a ve Švýcarsku naleznete na níže uvedené webové adrese (soubor k tisku je dostupný na našich webových stránkách) nebo se můžete obrátit na zastoupení firmy Yamaha ve své zemi. * EHS: Evropský hospodářský prostor</p>	
Fontos figyelemzetés: Garancia-információk az EGT* területén és Svájcban élő vásárlók számára	Magyar
<p>A jelen Yamaha termékre vonatkozó részletes garancia-információk, valamint az EGT*-re és Svájcra kiterjedő garanciális szolgáltatás tekintetében keresse fel webhelyünket az alábbi címen (a webhelyen nyomtatható fájl is talál), vagy pedig lépjen kapcsolatba az országában működő Yamaha képviseleti irodával. * EGT: Európai Gazdasági Térség</p>	
Oluline märkus: Garantiiteave Euroopa Majanduspiirkonna (EMP)* ja Šveitsi klientidele	Eesti keel
<p>Täpsema teabe saamiseks selle Yamaha toote garantii ning kogu Euroopa Majanduspiirkonna ja Šveitsi garantiiteeninduse kohta, külastage palun veebisaiti alljärgneval aadressil (meie saidil on saadaval printitav fail) või pöörduge Teie regiooni Yamaha esinduse poole. * EMP: Euroopa Majanduspiirkond</p>	
Svarīgs paziņojums: garantijas informācija klientiem EEZ* un Šveicē	Latviešu
<p>Lai saņemtu detalizētu garantijas informāciju par šo Yamaha produktu, kā arī garantijas apkalpošanu EEZ* un Šveicē, lūdzu, apmeklējiet zemāk norādīto tīmekļa vietnes adresi (tīmekļa vietnē ir pieejams drukājams fails) vai sazinieties ar Jūsu valsti apkalpojošo Yamaha pārstāvniecību. * EEZ: Eiropas Ekonomikas zona</p>	
Dėmesio: informacija dėl garantijos pirkėjams EEE* ir Šveicarijoje	Lietuvių kalba
<p>Jei reikia išsamios informacijos apie šį „Yamaha“ produktą ir jo techninę priežiūrą visoje EEE* ir Šveicarijoje, apsilankykite mūsų svetainėje toliau nurodytu adresu (svetainėje yra spausdintinas failas) arba kreipkitės į „Yamaha“ atstovą šioje šalyje. *EEE – Europos ekonominė erdvė</p>	
Dôležité upozornenie: Informácie o záruke pre zákazníkov v EHP* a Švajčiarsku	Slovenčina
<p>Podrobné informácie o záruke týkajúce sa tohto produktu od spoločnosti Yamaha a garancnom servise v EHP* a Švajčiarsku nájdete na webovej stránke uvedenej nižšie (na našej webovej stránke je k dispozícii súbor na tlač) alebo sa obráťte na zástupcu spoločnosti Yamaha vo svojej krajine. * EHP: Európsky hospodársky priestor</p>	
Pomembno obvestilo: Informacije o garanciji za kupce v EGP* in Švici	Slovenščina
<p>Za podrobnejše informacije o tem Yamahinem izdelku ter garancijskem servisu v celotnem EGP in Švici, obiščite spletno mesto, ki je navedeno spodaj (natisljiva datoteka je na voljo na našem spletnem mestu), ali se obrnite na Yamahinega predstavnika v svoji državi. * EGP: Evropski gospodarski prostor</p>	
Важно съобщение: Информация за гаранцията за клиенти в ЕИП* и Швейцария	Български език
<p>За подробна информация за гаранцията за този продукт на Yamaha и гаранционното обслужване в паневропейската зона на ЕИП* и Швейцария или посетете посочения по-долу уеб сайт (на нашия уеб сайт има файл за печат), или се свържете с представителния офис на Yamaha във вашата страна. * ЕИП: Европейско икономическо пространство</p>	
Notificare importantă: Informații despre garanție pentru clienții din SEE* și Elveția	Limba română
<p>Pentru informații detaliate privind acest produs Yamaha și serviciul de garanție Pan-SEE* și Elveția, vizitați site-ul la adresa de mai jos (fișierul imprimabil este disponibil pe site-ul nostru) sau contactați biroul reprezentanței Yamaha din țara dumneavoastră. * SEE: Spațiul Economic European</p>	

<http://europe.yamaha.com/warranty/>

ADDRESS LIST

NORTH AMERICA

CANADA

Yamaha Canada Music Ltd.

135 Milner Avenue, Toronto, Ontario, M1S 3R1, Canada
Tel: +1-416-298-1311

U.S.A.

Yamaha Corporation of America

6600 Orangethorpe Avenue,
Buena Park, CA 90620, U.S.A.
Tel: +1-714-522-9011

CENTRAL & SOUTH AMERICA

MEXICO

Yamaha de México, S.A. de C.V.

Av. Insurgentes Sur 1647 Piso 9,
Col. San José Insurgentes, Delegación Benito Juárez,
México, D.F., C.P. 03900, México
Tel: +52-55-5804-0600

BRAZIL

Yamaha Musical do Brasil Ltda.

Rua Fidêncio Ramos, 302 – Cj 52 e 54 – Torre B – Vila
Olímpia – CEP 04551-010 – São Paulo/SP, Brazil
Tel: +55-11-3704-1377

ARGENTINA

Yamaha Music Latin America, S.A., Sucursal Argentina

Olga Cossetini 1553, Piso 4 Norte,
Madero Este-C1107CEK, Buenos Aires, Argentina
Tel: +54-11-4119-7000

PANAMA AND OTHER LATIN AMERICAN COUNTRIES/CARIBBEAN COUNTRIES

Yamaha Music Latin America, S.A.

Edif. Torre Banco General, Piso 7, Urbanización Marbella,
Calle 47 y Aquilino de la Guardia,
Ciudad de Panamá, República de Panamá
Tel: +507-269-5311

EUROPE

THE UNITED KINGDOM/IRELAND

Yamaha Music Europe GmbH (UK)

Sherbourne Drive, Tilbrook, Milton Keynes,
MK7 8BL, U.K.
Tel: +44-1908-366700

GERMANY

Yamaha Music Europe GmbH

Siemensstrasse 22-34, 25462 Rellingen, Germany
Tel: +49-4101-303-0

SWITZERLAND/LIECHTENSTEIN

Yamaha Music Europe GmbH, Branch Switzerland in Thalwil

Seestrasse 18a, 8800 Thalwil, Switzerland
Tel: +41-44-3878080

AUSTRIA/BULGARIA/CZECH REPUBLIC/ HUNGARY/ROMANIA/SLOVAKIA/SLOVENIA

Yamaha Music Europe GmbH

Branch Austria

Schleiergasse 20, 1100 Wien, Austria
Tel: +43-1-60203900

POLAND

Yamaha Music Europe GmbH

Sp.z o.o. Oddział w Polsce

ul. Wielicka 52, 02-657 Warszawa, Poland
Tel: +48-22-880-08-88

MALTA

Olimpus Music Ltd.

Valletta Road, Mosta MST9010, Malta
Tel: +356-2133-2093

NETHERLANDS/BELGIUM/LUXEMBOURG

Yamaha Music Europe Branch Benelux

Clarissenhof 5b, 4133 AB Vianen, The Netherlands
Tel: +31-347-358040

FRANCE

Yamaha Music Europe

7 rue Ambroise Croizat, Zone d'activités de Pariest,
77183 Croissy-Beaubourg, France
Tel: +33-1-6461-4000

ITALY

Yamaha Music Europe GmbH, Branch Italy

Via Tinelli N.67/69 20855 Gerno di Lesmo (MB), Italy
Tel: +39-039-9065-1

SPAIN/PORTUGAL

Yamaha Music Europe GmbH Ibérica, Sucursal en España

Ctra. de la Coruña km. 17,200, 28231
Las Rozas de Madrid, Spain
Tel: +34-91-639-88-88

GREECE

Philippos Nakas S.A. The Music House

19th klm. Leof. Lavriou 190 02 Peania – Attiki, Greece
Tel: +30-210-6686168

SWEDEN/FINLAND/ICELAND

Yamaha Music Europe GmbH Germany filial Scandinavia

JA Wettergrensgata 1, 400 43 Göteborg, Sweden
Tel: +46-31-89-34-00

DENMARK

Yamaha Music Denmark,

Filial of Yamaha Music Europe GmbH, Tyskland
Generatorvej 8C, ST. TH., 2860 Soborg, Denmark
Tel: +45-44-92-49-00

NORWAY

Yamaha Music Europe GmbH Germany - Norwegian Branch

Grini Næringspark 1, 1332 Osterås, Norway
Tel: +47-6716-7800

CYPRUS

Yamaha Music Europe GmbH

Siemensstrasse 22-34, 25462 Rellingen, Germany
Tel: +49-4101-303-0

RUSSIA

Yamaha Music (Russia) LLC.

Room 37, entrance 7, bld. 7, Kievskaya street,
Moscow, 121059, Russia
Tel: +7-495-626-5005

OTHER EUROPEAN COUNTRIES

Yamaha Music Europe GmbH

Siemensstrasse 22-34, 25462 Rellingen, Germany
Tel: +49-4101-3030

AFRICA

Yamaha Music Gulf FZE

JAFZA-16, Office 512, P.O.Box 17328,
Jebel Ali FZE, Dubai, UAE
Tel: +971-4-801-1500

MIDDLE EAST

TURKEY

Yamaha Music Europe GmbH

Merkezi Almanya Türkiye İstanbul Şubesi

Mor Sumbul Sokak Varyap Meridian Business 1.Blok
No:1 113-114-115
Bati Atasehir Istanbul, Turkey
Tel: +90-216-275-7960

OTHER COUNTRIES

Yamaha Music Gulf FZE

JAFZA-16, Office 512, P.O.Box 17328,
Jebel Ali FZE, Dubai, UAE
Tel: +971-4-801-1500

ASIA

THE PEOPLE'S REPUBLIC OF CHINA

Yamaha Music & Electronics (China) Co.,Ltd.

2F, Yunhedasha, 1818 Xinzha-lu, Jingan-qu,
Shanghai, China
Tel: +86-400-051-7700

INDIA

Yamaha Music India Private Limited

P-401, JMD Megapolis, Sector-48, Sohna Road, Gurgaon-
122018, Haryana, India
Tel: +91-124-485-3300

INDONESIA

PT. Yamaha Musik Indonesia (Distributor)

Yamaha Music Center Bldg. Jalan Jend. Gatot Subroto
Kav. 4, Jakarta 12930, Indonesia
Tel: +62-21-520-2577

KOREA

Yamaha Music Korea Ltd.

11F, Prudential Tower, 298, Gangnam-daero,
Gangnam-gu, Seoul, 06253, Korea
Tel: +82-2-3467-3300

MALAYSIA

Yamaha Music (Malaysia) Sdn. Bhd.

No.8, Jalan Perbandaran, Kelana Jaya, 47301
Petaling Jaya, Selangor, Malaysia
Tel: +60-3-78030900

SINGAPORE

Yamaha Music (Asia) Private Limited

Block 202 Hougang Street 21, #02-00,
Singapore 530202, Singapore
Tel: +65-6740-9200

TAIWAN

Yamaha Music & Electronics Taiwan Co.,Ltd.

2F., No.1, Yuandong Rd., Banqiao Dist.,
New Taipei City 22063, Taiwan (R.O.C.)
Tel: +886-2-7741-8888

THAILAND

Siam Music Yamaha Co., Ltd.

3, 4, 15, 16th Fl., Siam Motors Building,
891/1 Rama 1 Road, Wangmai,
Pathumwan, Bangkok 10330, Thailand
Tel: +66-2215-2622

VIETNAM

Yamaha Music Vietnam Company Limited

15th Floor, Nam A Bank Tower, 201-203 Cach Mang
Thang Tam St., Ward 4, Dist.3,
Ho Chi Minh City, Vietnam
Tel: +84-8-3818-1122

OTHER ASIAN COUNTRIES

<http://asia.yamaha.com/>

OCEANIA

AUSTRALIA

Yamaha Music Australia Pty. Ltd.

Level 1, 80 Market Street, South Melbourne,
VIC 3205, Australia
Tel: +61-3-9693-5111

COUNTRIES AND TRUST TERRITORIES IN PACIFIC OCEAN

<http://asia.yamaha.com/>

雅马哈乐器音响（中国）投资有限公司

上海市静安区新闻路 1818 号云和大厦 2 楼

客户服务热线：4000517700

公司网址：<http://www.yamaha.com.cn>

制造商：雅马哈株式会社

制造商地址：日本静冈县滨松市中区中泽町 10-1

进口商：雅马哈乐器音响（中国）投资有限公司

进口商地址：上海市静安区新闻路 1818 号云和大厦 2 楼

原产地：日本

Yamaha Pro Audio global website

<https://www.yamaha.com/proaudio/>

Yamaha Downloads

<https://download.yamaha.com/>

Manual Development Group

© 2018 Yamaha Corporation

Published 07/2018 发行 MWTO-A0

ZU82040