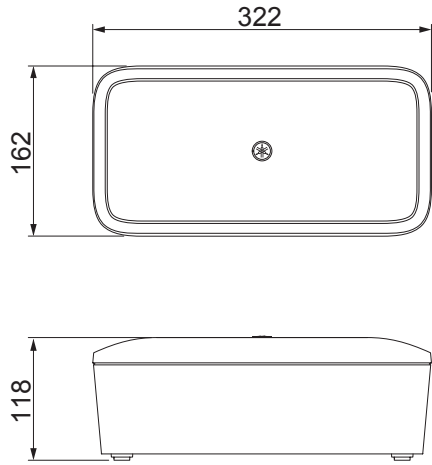
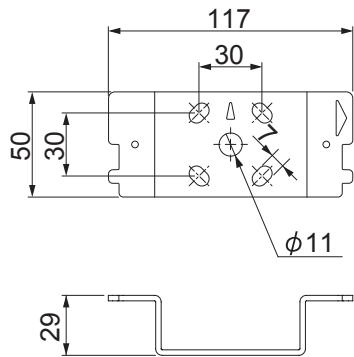


# Dimensions

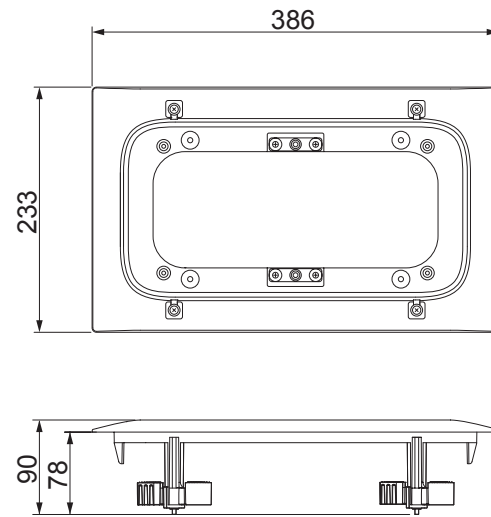
## VXS3SB/VXS3SW



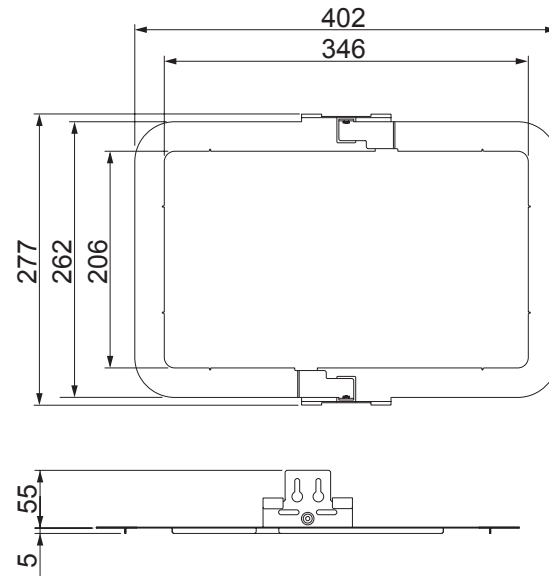
### ■ WALL BRACKET



## CMA3SB/CMA3SW (OPTION)



### ■ SQUARE RING



### ■ TILE RAIL

