

# Pedal Unit DDKU-P7 Owner's Manual

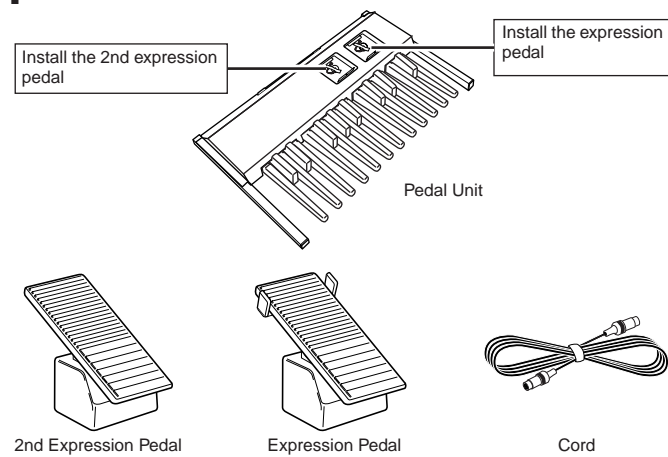
## Installing the Pedalboard

### Precautions

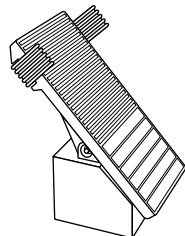
- ⚠ Before installing/uninstalling, turn the power of the Instrument off.
- ⚠ Take care not to drop the pedalboard or to pinch your finger(s).
- ⚠ Do not remove the expression pedal and the 2nd expression pedal once they have been installed, since this may cause a faulty contact and result in a malfunction.

Have a Phillips-head (+) screwdriver ready.

**1** Please confirm that all parts shown in the illustration are provided.



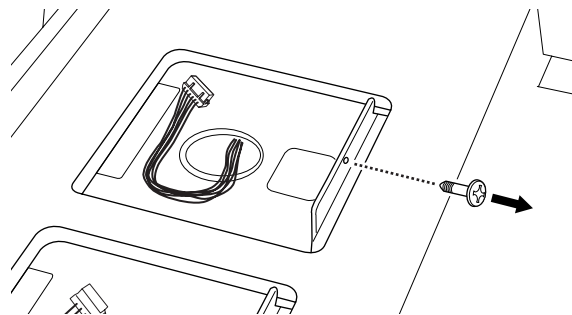
**2** Install the expression pedal.



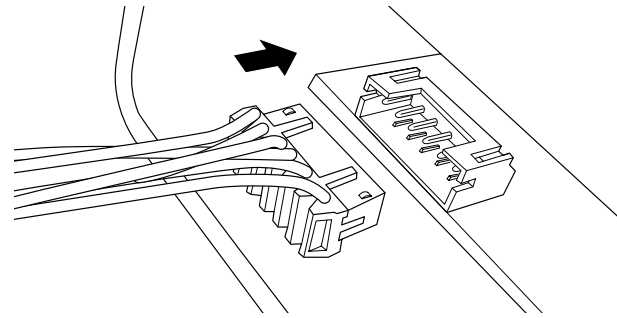
**2-1** Remove the tape from the connector in the hole of the pedal unit.

**2-2** Remove the screw.

Be careful not to drop any screws inside the pedal unit during installation. Do not discard the screw; you will need it later in step 3.

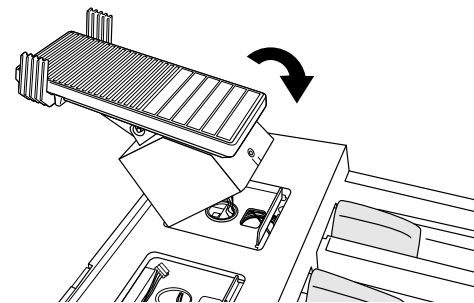


**2-3** Hold the cable connector so that the two lines on the connector are facing upward, then carefully plug it into the inside connector on the bottom of the expression pedal.

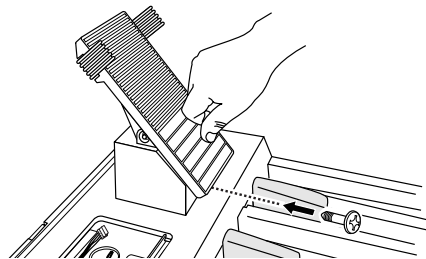


**2-4** Install the expression pedal to the corresponding indentation on the pedal unit by first fitting the protrusion on the back side and then fitting the front side as shown.

As you fit it in position, the front side of the expression pedal is slightly lifted. When installing the expression pedal, be careful to avoid catching the connector.



**3** Fix the expression pedal to the pedal unit while holding the expression pedal, using the screw you removed in step 2-2.

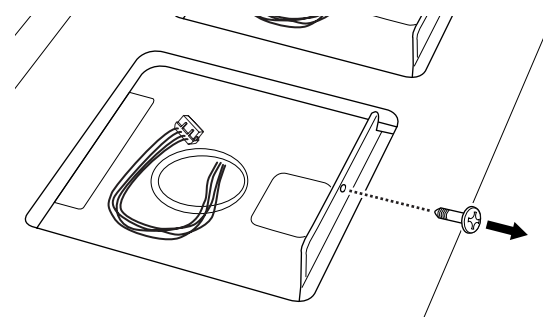


**4** Install the 2nd expression pedal.

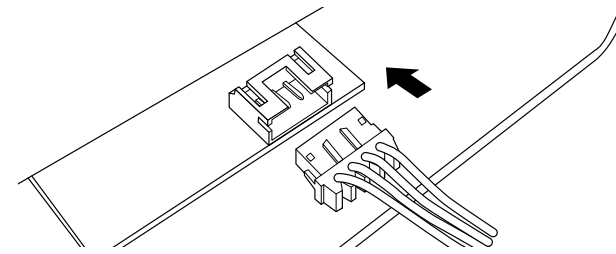
**4-1** Remove the tape from the connector in the hole of the pedal unit.

**4-2** Remove the screw.

Be careful not to drop any screws inside the pedal unit during installation. Do not discard the screw; you will need it later in step 5.

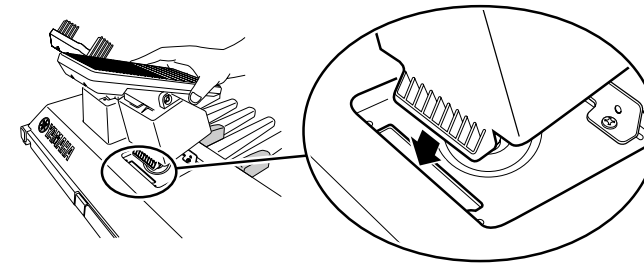


**4-3** Hold the cable connector so that the two lines on the connector are facing upward, then carefully plug it into the inside connector on the bottom of the second expression pedal.

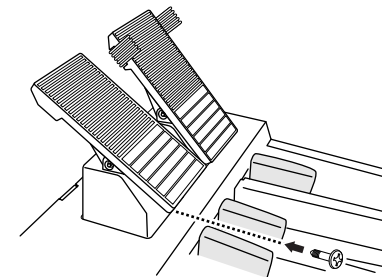


**4-4** Install the 2nd expression pedal to the corresponding indentation on the pedal unit by first fitting the protrusion on the back side and then fitting the front side as shown.

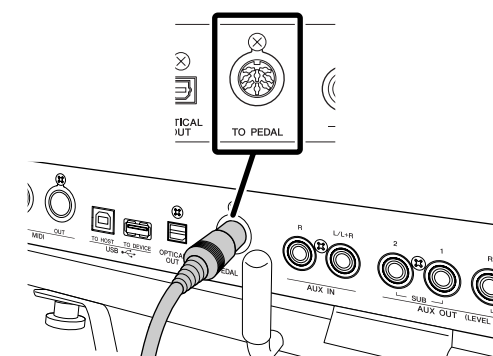
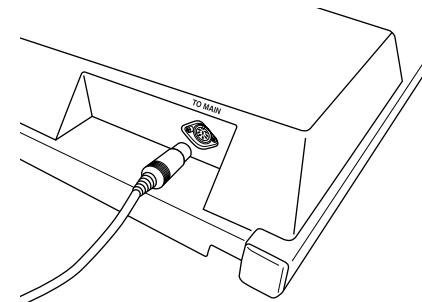
As you fit it in position, the front side of the 2nd expression pedal is slightly lifted. When installing the 2nd expression pedal, be careful to avoid catching the connector.



**5** Fix the 2nd expression pedal to the pedal unit while holding the 2nd expression pedal, using the screw you removed in step 4-2.

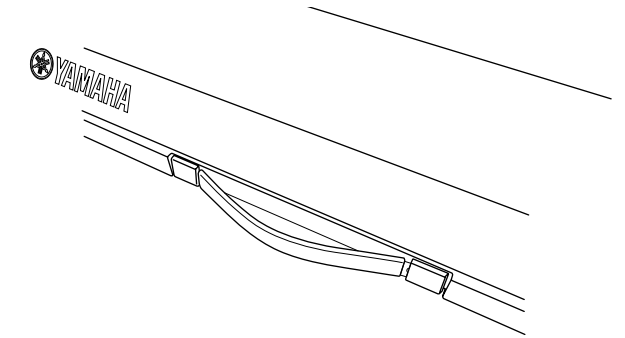


**6** Connect the TO MAIN terminal of the Pedalboard to the TO PEDAL terminal of the instrument using the cord.



### Convenient carrying handle

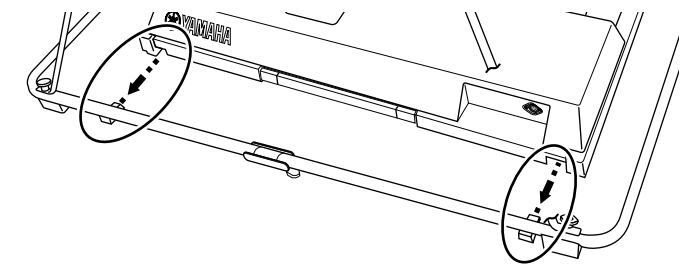
You can transport this pedal unit holding the carrying handle on the rear.



⚠ Do not hold the keys, since this may damage or result in a malfunction.

### For users of the optional DDKU-L7

You can attach this pedal unit to the optional DDKU-L7 keyboard stand. Fit the indented parts on the rear of the pedal unit onto the corresponding protrusions of the DDKU-L7 keyboard stand.



To uninstall the pedalboard, reverse the procedure.

### Post-assembly checklist

Once you've assembled the stand, check the following points:

- Does the pedalboard produce sounds?
- Confirm that the Pedalboard cord plugs are securely connected to each terminal on the Main unit and pedalboard.

## Specifications

Pedalboard	20 Keys (C - G), Initial Touch
Controls	Footswitches (Left, Right), Expression pedal
Dimensions (WxDxH), Weight	873 x 539 x 310mm (with the expression pedal installed), 13kg
Connector	TO MAIN