

# LSX-700

## Lighting Audio System Systeme Audio Lumineux

Safety Brochure  
Brochure sur la Sécurité  
Folleto de Seguridad  
安全手冊  
안전 지침서

Ⓞ **(Power key)** Turns on the power of this unit or sets it to the standby mode.

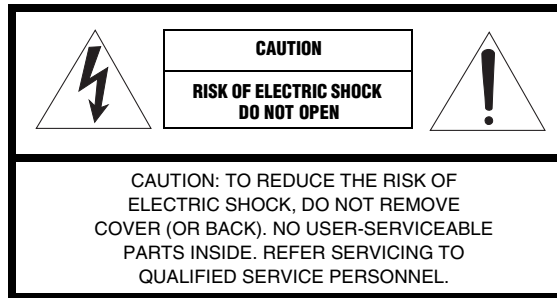
Ⓞ **(Touche d'alimentation)** Mettez l'appareil sous tension ou réglez-le en mode de mise en veille.

Ⓞ **(Tecla de encendido)** Enciende esta unidad o la pone en modo de espera.

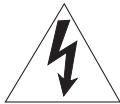
Ⓞ **(电源按键)** 打开本机的电源或将其设置为待机模式。

Ⓞ **(전원 키)** 본 기기의 전원을 켜거나 대기 모드에 맞추십시오.

# IMPORTANT SAFETY INSTRUCTIONS



## • Explanation of Graphical Symbols



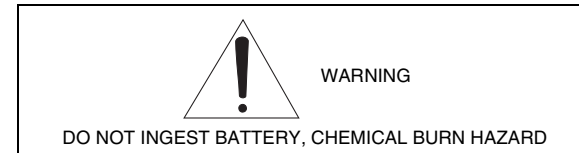
The lightning flash with arrowhead symbol, within an equilateral triangle, is intended to alert you to the presence of uninsulated “dangerous voltage” within the product’s enclosure that may be of sufficient magnitude to constitute a risk of electric shock to persons.



The exclamation point within an equilateral triangle is intended to alert you to the presence of important operating and maintenance (servicing) instructions in the literature accompanying the appliance.

- 1 Read these instructions.
- 2 Keep these instructions.
- 3 Heed all warnings.
- 4 Follow all instructions.
- 5 Do not use this apparatus near water.
- 6 Clean only with dry cloth.
- 7 Do not block any ventilation openings. Install in accordance with the manufacturer’s instructions.
- 8 Do not install near any heat sources such as radiators, heat registers, stoves, or other apparatus (including amplifiers) that produce heat.
- 9 Do not defeat the safety purpose of the polarized or grounding-type plug. A polarized plug has two blades with one wider than the other. A grounding type plug has two blades and a third grounding prong. The wide blade or the third prong are provided for your safety. If the provided plug does not fit into your outlet, consult an electrician for replacement of the obsolete outlet.
- 10 Protect the power cord from being walked on or pinched particularly at plugs, convenience receptacles, and the point where they exit from the apparatus.
- 11 Only use attachments/accessories specified by the manufacturer.

- 12 Use only with the cart, stand, tripod, bracket, or table specified by the manufacturer, or sold with the apparatus. When a cart is used, use caution when moving the cart/apparatus combination to avoid injury from tip-over.
- 13 Unplug this apparatus during lightning storms or when unused for long periods of time.
- 14 Refer all servicing to qualified service personnel. Servicing is required when the apparatus has been damaged in any way, such as power-supply cord or plug is damaged, liquid has been spilled or objects have fallen into the apparatus, the apparatus has been exposed to rain or moisture, does not operate normally, or has been dropped.



The remote control supplied with this product contains a coin/button cell battery. If the coin/button cell battery is swallowed, it can cause severe internal burns in just 2 hours and can lead to death.

Keep new and used batteries away from children. If the battery compartment does not close securely, stop using the product and keep it away from children.

If you think batteries might have been swallowed or placed inside any part of the body, seek immediate medical attention.

## We Want You Listening For A Lifetime



Yamaha and the Electronic Industries Association’s Consumer Electronics Group want you to get the most out of your equipment by playing it at a safe level. One that lets the sound come through loud and clear without annoying blaring or distortion – and, most importantly, without affecting your sensitive hearing.

Since hearing damage from loud sounds is often undetectable until it is too late, Yamaha and the Electronic Industries Association’s Consumer Electronics Group recommend you to avoid prolonged exposure from excessive volume levels.

## FCC INFORMATION (for US customers)

### 1 IMPORTANT NOTICE: DO NOT MODIFY THIS UNIT!

This product, when installed as indicated in the instructions contained in this manual, meets FCC requirements. Modifications not expressly approved by Yamaha may void your authority, granted by the FCC, to use the product.

### 2 IMPORTANT:

When connecting this product to accessories and/or another product use only high quality shielded cables. Cable/s supplied with this product MUST be used. Follow all installation instructions. Failure to follow instructions could void your FCC authorization to use this product in the USA.

### 3 NOTE:

This product has been tested and found to comply with the requirements listed in FCC Regulations, Part 15 for Class "B" digital devices. Compliance with these requirements provides a reasonable level of assurance that your use of this product in a residential environment will not result in harmful interference with other electronic devices.

This equipment generates/uses radio frequencies and, if not installed and used according to the instructions found in the users manual, may cause interference harmful to the operation of other electronic devices.

Compliance with FCC regulations does not guarantee that interference will not occur in all installations. If this product is found to be the source of interference, which can be determined by turning the unit "OFF" and "ON", please try to eliminate the problem by using one of the following measures:

Relocate either this product or the device that is being affected by the interference.

Utilize power outlets that are on different branch (circuit breaker or fuse) circuits or install AC line filter/s.

In the case of radio or TV interference, relocate/reorient the antenna. If the antenna lead-in is 300 ohm ribbon lead, change the lead-in to coaxial type cable.

If these corrective measures do not produce satisfactory results, please contact the local retailer authorized to distribute this type of product. If you can not locate the appropriate retailer, please contact Yamaha Corporation of America A/V Division, 6600 Orangethorpe Avenue, Buena Park, CA 90620.

The above statements apply ONLY to those products distributed by Yamaha Corporation of America or its subsidiaries.

### FCC CAUTION

Change or modifications not expressly approved by the party responsible for compliance could void the user's authority to operate the equipment.

### FOR CANADIAN CUSTOMERS

CAN ICES-3 (B)/NMB-3(B)

### IMPORTANT

Please record the serial number of this unit in the space below.

MODEL:

Serial No.:

The serial number is located on the rear of the unit. Retain the Owner's Manual in a safe place for future reference.

## COMPLIANCE INFORMATION STATEMENT

Responsible Party: Yamaha Corporation of America A/V Division

Address: 6600 Orangethorpe Avenue, Buena Park, CA 90620

Telephone: 714-522-9011

Type of Equipment: Lighting Audio System

Model Name: LSX-700

This device complies with part 15 of the FCC Rules.

Operation is subject to the following two conditions: (1) This device may not cause harmful interference, and (2) this device must accept any interference received, including interference that may cause undesired operation.

See the Troubleshooting section in the Owner's Manual if interference to radio reception is suspected.

### ■ For U.K. customers

If the socket outlets in the home are not suitable for the plug supplied with this appliance, it should be cut off and an appropriate 3 pin plug fitted. For details, refer to the instructions described below.

### Note

The plug severed from the mains lead must be destroyed, as a plug with bared flexible cord is hazardous if engaged in a live socket outlet.

### ■ Special Instructions for U.K. Model

### IMPORTANT

THE WIRES IN MAINS LEAD ARE COLOURED IN ACCORDANCE WITH THE FOLLOWING CODE:

Blue: NEUTRAL

Brown: LIVE

As the colours of the wires in the mains lead of this apparatus may not correspond with the coloured markings identifying the terminals in your plug, proceed as follows:

The wire which is coloured BLUE must be connected to the terminal which is marked with the letter N or coloured BLACK. The wire which is coloured BROWN must be connected to the terminal which is marked with the letter L or coloured RED.

Making sure that neither core is connected to the earth terminal of the three pin plug.

# CAUTION: READ THIS BEFORE OPERATING YOUR UNIT.

- 1 To assure the finest performance, please read this manual carefully. Keep it in a safe place for future reference.
- 2 Install this sound system in a well ventilated, cool, dry, clean place - away from direct sunlight, heat sources, vibration, dust, moisture, and/or cold. For proper ventilation, allow the following minimum clearances.  
Top: 15 cm (6 in), Rear: 10 cm (4 in), Sides: 10 cm (4 in)
- 3 Locate this unit away from other electrical appliances, motors, or transformers to avoid humming sounds.
- 4 Do not expose this unit to sudden temperature changes from cold to hot, and do not locate this unit in an environment with high humidity (i.e., a room with a humidifier) to prevent condensation inside this unit, which may cause an electrical shock, fire, damage to this unit, and/or personal injury.
- 5 Avoid installing this unit where foreign object may fall onto this unit and/or this unit may be exposed to liquid dripping or splashing. On the top of this unit, do not place:
  - Other components, as they may cause damage and/or discoloration on the surface of this unit.
  - Burning objects (i.e., candles), as they may cause fire, damage to this unit, and/or personal injury.
  - Containers with liquid in them, as they may fall and liquid may cause electrical shock to the user and/or damage to this unit.
- 6 Do not cover this unit with a newspaper, tablecloth, curtain, etc. in order not to obstruct heat radiation. If the temperature inside this unit rises, it may cause fire, damage to this unit, and/or personal injury.
- 7 Do not plug in this unit to a wall outlet until all connections are complete.
- 8 Do not operate this unit upside-down. It may overheat, possibly causing damage.
- 9 Do not use force on switches, knobs and/or cords.
- 10 When disconnecting the power cable from the wall outlet, grasp the plug; do not pull the cable.
- 11 Do not clean this unit with chemical solvents; this might damage the finish. Use a clean, dry cloth.
- 12 Only voltage specified on this unit must be used. Using this unit with a higher voltage than specified is dangerous and may cause fire, damage to this unit, and/or personal injury. Yamaha will not be held responsible for any damage resulting from use of this unit with a voltage other than specified.
- 13 To prevent damage by lightning, keep the power cable and outdoor antennas disconnected from a wall outlet or this unit during a lightning storm.
- 14 Do not attempt to modify or fix this unit. Contact qualified Yamaha service personnel when any service is needed. The cabinet should never be opened for any reasons.
- 15 When not planning to use this unit for long periods of time (i.e., vacation), disconnect the AC power plug from the wall outlet.
- 16 Be sure to refer the "Troubleshooting" section of the OWNER'S MANUAL for common operating errors before concluding that this unit is faulty.
- 17 Before moving this unit, press  $\phi$  to set the system off and disconnect the AC power plug from the wall outlet.
- 18 Condensation will form when the surrounding temperature changes suddenly. Disconnect the power cable from the outlet, then leave this unit alone.
- 19 When using this unit for a long time, this unit may become warm. Turn the power off, then leave this unit alone for cooling.
- 20 Install this unit near the wall outlet and where the AC power plug can be reached easily.

- 21 The batteries shall not be exposed to excessive heat such as sunshine, fire or the like. When you dispose of batteries, follow your regional regulations.

This unit is not disconnected from the AC power source as long as it is connected to the wall outlet, even if this unit itself is turned off by  $\phi$ . In this state, this unit is designed to consume a very small quantity of power.

## WARNING

TO REDUCE THE RISK OF FIRE OR ELECTRIC SHOCK, DO NOT EXPOSE THIS UNIT TO RAIN OR MOISTURE.

There is a chance that placing this unit too close to a CRTbased (Braun tube) TV set might impair picture color.

Should this happen, move this unit away from the TV set.

In order to avoid the risk of permanent eye damage, do not look directly LED light.

## ■ Notes on remote controls and batteries

- Do not spill water or other liquids on the remote control.
- Do not drop the remote control.
- Do not leave or store the remote control in the following conditions:
  - places of high humidity, such as near a bath
  - places of high temperatures, such as near a heater or stove
  - places of extremely low temperatures
  - dusty places
- Insert the battery according to the polarity markings (+ and -).
- Change all batteries if you notice the following conditions:
  - the operation range of the remote control narrows
  - the transmit indicator does not flash or is dim
- If the batteries run out, immediately remove them from the remote control to prevent an explosion or acid leak.
- If you find leaking batteries, discard the batteries immediately, taking care not to touch the leaked material. If the leaked material comes into contact with your skin or gets into your eyes or mouth, rinse it away immediately and consult a doctor. Clean the battery compartment thoroughly before installing new batteries.
- Do not use old batteries together with new ones. This may shorten the life of the new batteries or cause old batteries to leak.
- Do not use different types of batteries (such as alkaline and manganese batteries) together. Specification of batteries may be different even though they look the same. Danger of explosion may happen if batteries are incorrectly replaced.
- Before inserting new batteries, wipe the compartment clean.
- Dispose of batteries according to your regional regulations.
- Keep batteries away from children. If a battery is accidentally swallowed, contact your doctor immediately.
- When not planning to use the remote control for long periods of time, remove the batteries from the remote control.
- Do not charge or disassemble the supplied batteries.

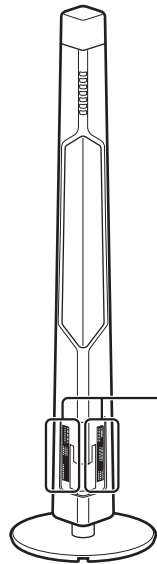
- Radio waves may affect electro-medical devices.  
Do not use this unit near medical devices or inside medical facilities.
- Do not use this unit within 22 cm (9 inches) of persons with a heart pacemaker implant or defibrillator implant.

The user shall not reverse engineer, decompile, alter, translate or disassemble the software used in this unit, whether in part or in whole. For corporate users, employees of the corporation itself as well as its business partners shall observe the contractual bans stipulated within this clause. If the stipulations of this clause and this contract cannot be observed, the user shall immediately discontinue using the software.

We, Yamaha Music Europe GmbH hereby declare that this unit is in compliance with the essential requirements and other relevant provisions of Directive 1999/5/EC.

**Yamaha Music Europe GmbH**

Siemensstr. 22-34 25462 Rellingen, Germany  
Tel: +49-4101-303-0



The name plate is behind the cover at the rear of the unit.

**Information for Users on Collection and Disposal of Old Equipment and Used Batteries**



These symbols on the products, packaging, and/or accompanying documents mean that used electrical and electronic products and batteries should not be mixed with general household waste.



For proper treatment, recovery and recycling of old products and used batteries, please take them to applicable collection points, in accordance with your national legislation and the Directives 2002/96/EC and 2006/66/EC.



By disposing of these products and batteries correctly, you will help to save valuable resources and prevent any potential negative effects on human health and the environment which could otherwise arise from inappropriate waste handling.



For more information about collection and recycling of old products and batteries, please contact your local municipality, your waste disposal service or the point of sale where you purchased the items.

**Pb**

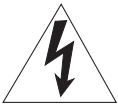

**[Information on Disposal in other Countries outside the European Union]**

These symbols are only valid in the European Union. If you wish to discard these items, please contact your local authorities or dealer and ask for the correct method of disposal.

**Note for the battery symbol (bottom two symbol examples):**

This symbol might be used in combination with a chemical symbol. In this case it complies with the requirement set by the Directive for the chemical involved.

# PRÉCAUTIONS CONCERNANT LA SÉCURITÉ

	<b>ATTENTION</b> <b>RISQUE DE CHOC ÉLECTRIQUE:</b> <b>NE PAS OUVRIR</b>	
ATTENTION: POUR RÉDUIRE LES RISQUES D'INCENDIE ET DE DÉCHARGE ÉLECTRIQUE, NE PAS RETIRER LE COUVERCLE (OU LE PANNEAU ARRIÈRE). NE CONTIENT AUCUNE PIÈCE INTERNE RÉPARABLE PAR L'UTILISATEUR. POUR L'ENTRETIEN, S'ADRESSER À UN PERSONNEL QUALIFIÉ.		

## • Explication des symboles



L'éclair avec une flèche à l'intérieur d'un triangle équilatéral est destiné à attirer l'attention de l'utilisateur sur la présence d'une « tension dangereuse » non isolée à l'intérieur de l'appareil, pouvant être suffisamment élevée pour constituer un risque d'électrocution.



Le point d'exclamation à l'intérieur d'un triangle équilatéral est destiné à attirer l'attention de l'utilisateur sur la présence d'instructions importantes sur l'emploi ou la maintenance (réparation) de l'appareil dans la documentation fournie.

- 1 Lire ces instructions.
- 2 Conserver ces instructions.
- 3 Tenir compte de tous les avertissements.
- 4 Suivre toutes les instructions.
- 5 Ne pas utiliser ce produit à proximité d'eau.
- 6 Nettoyer uniquement avec un chiffon propre et sec.
- 7 Ne pas bloquer les orifices de ventilation. Installer l'appareil conformément aux instructions du fabricant.
- 8 Ne pas installer l'appareil à proximité d'une source de chaleur comme un radiateur, une bouche de chaleur, un poêle ou tout autre appareil (y compris un amplificateur) produisant de la chaleur.
- 9 Ne pas modifier le système de sécurité de la fiche polarisée ou de la fiche de terre. Une fiche polarisée dispose de deux broches dont une est plus large que l'autre. Une fiche de terre dispose de deux broches et d'une troisième pour le raccordement à la terre. Cette broche plus large ou cette troisième broche est destinée à assurer la sécurité de l'utilisateur. Si la fiche équipant l'appareil n'est pas compatible avec les prises de courant disponibles, faire remplacer les prises par un électricien.
- 10 Acheminer les cordons d'alimentation de sorte qu'ils ne soient pas piétinés ni coincés, en faisant tout spécialement attention aux fiches, prises de courant et au point de sortie de l'appareil.
- 11 Utiliser exclusivement les fixations et accessoires spécifiés par le fabricant.

- 12 Utiliser exclusivement le chariot, le stand, le trépied, le support ou la table recommandés par le fabricant ou vendus avec cet appareil. Si l'appareil est posé sur un chariot, déplacer le chariot avec précaution pour éviter tout risque de chute et de blessure.
- 13 Débrancher l'appareil en cas d'orage ou lorsqu'il doit rester hors service pendant une période prolongée.
- 14 Confier toute réparation à un personnel qualifié. Faire réparer l'appareil s'il a subi tout dommage, par exemple si la fiche ou le cordon d'alimentation est endommagé, si du liquide a coulé ou des objets sont tombés à l'intérieur de l'appareil, si l'appareil a été exposé à la pluie ou à de l'humidité, si l'appareil ne fonctionne pas normalement ou est tombé.



	AVERTISSEMENT
<b>NE PAS INGÉRER LA PILE – RISQUE DE BRÛLURE CHIMIQUE</b>	

La télécommande fournie avec ce produit contient une pile de type bouton/en forme de pièce de monnaie. L'ingestion de la pile de type bouton/en forme de pièce de monnaie peut causer en seulement 2 heures des brûlures internes très graves risquant de provoquer la mort. Gardez les piles neuves et usées hors de la portée des enfants. Si le compartiment de pile ne se ferme pas correctement, cessez d'utiliser le produit et gardez-le hors de la portée des enfants. Si vous pensez que des piles ont pu être avalées ou placées dans une partie du corps quelconque, demandez des soins médicaux sans tarder.

## Nous vous souhaitons un plaisir musical durable



Yamaha et le Groupe des Entreprises Électroniques Grand Public de l'Association des Industries Électroniques désirent que vous tiriez le meilleur parti de votre équipement tout en écoutant à un niveau non dommageable pour l'ouïe. Un niveau qui vous permet d'obtenir un son fort et clair, sans hurlement ni distorsion, –mais sans aucun danger pour l'ouïe.

Comme les sons trop forts causent des lésions auditives qui ne peuvent être détectées qu'à long terme, lorsqu'il est trop tard, Yamaha et le Groupe des Entreprises Électroniques Grand Public de l'Association des Industries Électroniques vous déconseillent l'écoute prolongée à des volumes excessifs.

## INFORMATION DE LA FCC (pour les clients résidant aux États-Unis)

### 1 AVIS IMPORTANT : NE PAS APPORTER DE MODIFICATIONS À CET APPAREIL !

Cet appareil est conforme aux exigences de la FCC s'il est installé selon les instructions du mode d'emploi. Toute modification non approuvée expressément par Yamaha peut invalider l'autorisation de la FCC d'utiliser cet appareil.

2 **IMPORTANT** : N'utiliser que des câbles blindés de haute qualité pour le raccordement de cet appareil à des accessoires et/ou à un autre appareil. Seuls le ou les câbles fournis avec le produit DOIVENT être utilisés. Suivre les instructions concernant l'installation. Le non respect des instructions peut invalider l'autorisation, accordée par la FCC, d'utiliser ce produit aux États-Unis.

3 **REMARQUE** : Cet appareil a été testé et déclaré conforme aux normes relatives aux appareils numériques de Classe « B », telles que fixées dans l'Article 15 de la Réglementation FCC. Ces normes sont destinées à assurer une protection suffisante contre les interférences nuisibles avec d'autres appareils électroniques dans une installation résidentielle.  
Cet équipement génère et utilise des fréquences radio qui, en cas d'installation et d'utilisation non conformes aux instructions du mode d'emploi, peuvent être à l'origine d'interférences empêchant d'autres appareils de fonctionner.

Cependant, la conformité à la Réglementation FCC ne garantit pas l'absence d'interférences dans une installation particulière. Si cet appareil devait produire des interférences, ce qui peut être déterminé en « ÉTEIGNANT », puis en « RALLUMANT » l'appareil, l'utilisateur est invité à essayer de corriger le problème d'une des manières suivantes :

Réorienter cet appareil ou le dispositif affecté par les interférences.

Utiliser des prises d'alimentation branchées sur différents circuits (avec interrupteur de circuit ou fusible) ou installer un ou des filtres pour ligne secteur.

Dans le cas d'interférences radio ou TV, changer de place l'antenne et la réorienter. Si l'antenne est un conducteur plat de 300 ohms, remplacer ce câble par un câble de type coaxial.

Si ces mesures ne donnent pas les résultats escomptés, prière de contacter le détaillant local autorisé à commercialiser ce type d'appareil. Si ce n'est pas possible, prière de contacter Yamaha Corporation of America A/V Division, États-Unis, 6600 Orangethorpe Ave., Buena Park, CA 90620.

Les déclarations précédentes concernent EXCLUSIVEMENT les appareils commercialisés par Yamaha Corporation of America ou ses filiales.

### ATTENTION DE LA FCC

Tout changement ou toute modification non approuvée expressément par le tiers responsable peut aboutir à l'interdiction de faire fonctionner cet appareil.

### POUR LES CONSOMMATEURS CANADIENS

CAN ICES-3 (B)/NMB-3(B)

### IMPORTANT

Veuillez noter le numéro de série de cet appareil dans l'espace réservé à cet effet, ci-dessous.

MODÈLE:

No. de série:

Le numéro de série se trouve à l'arrière de l'appareil. Prière de conserver le mode d'emploi en lieu sûr pour toute référence future.

## DÉCLARATION SUR LES INFORMATIONS DE CONFORMITÉ

Partie responsable: Yamaha Corporation of America A/V Division

Adresse: 6600 Orangethorpe Avenue Buena Park, CA 90620

Téléphone: 714-522-9011

Type d'équipement: Systeme Audio Lumineux

Nom de modèle: LSX-700

Cet appareil est conforme à l'article 15 de la réglementation FCC.

Le fonctionnement est soumis aux deux conditions suivantes: (1) Cet appareil ne peut pas causer d'interférences nuisibles et (2) Cet appareil doit recevoir toutes les interférences, y compris celles pouvant entraîner des problèmes de fonctionnement.

Voyez la section Guide de dépannage dans le mode d'emploi si vous pensez que le problème de réception radio est dû à des interférences.

# ATTENTION : VEUILLEZ LIRE CE QUI SUIT AVANT D'UTILISER L'APPAREIL.

- 1 Pour utiliser l'appareil au mieux de ses possibilités, lisez attentivement ce mode d'emploi. Conservez-le soigneusement pour référence.
- 2 Installez cet ensemble audio dans un endroit bien aéré, frais, sec et propre - veillez à ce qu'il soit à l'abri de la lumière directe du soleil, des sources de chaleur, des vibrations, des poussières, de l'humidité et/ou du froid. Pour une ventilation correcte, ménagez l'espace minimum suivant.  
Au-dessus : 15 cm, À l'arrière : 10 cm, Sur les côtés : 10 cm
- 3 Placez l'appareil loin des équipements, moteurs et transformateurs électriques, pour éviter les ronflements parasites.
- 4 N'exposez pas l'appareil à des variations brutales de température, ne le placez pas dans un environnement très humide (par exemple dans une pièce contenant un humidificateur) car cela peut entraîner la condensation d'humidité à l'intérieur de l'appareil qui elle-même peut être responsable de décharge électrique, d'incendie, de dommage à l'appareil ou de blessure corporelle.
- 5 Evitez d'installer l'appareil dans un endroit où des objets peuvent tomber, ainsi que là où l'appareil pourrait être exposé à des éclaboussures ou des gouttes d'eau. Sur le dessus de l'appareil, ne placez pas :
  - d'autres appareils qui peuvent endommager la surface de l'appareil ou provoquer sa décoloration.
  - des objets se consumant (par exemple, une bougie) qui peuvent être responsables d'incendie, de dommage à l'appareil ou de blessure corporelle.
  - des récipients contenant des liquides qui peuvent être à l'origine de décharge électrique ou de dommage à l'appareil.
- 6 Ne couvrez pas l'appareil d'un journal, d'une nappe, d'un rideau, etc. car cela empêcherait l'évacuation de la chaleur. Toute augmentation de la température intérieure de l'appareil peut être responsable d'incendie, de dommage à l'appareil ou de blessure corporelle.
- 7 Ne branchez pas la fiche du câble d'alimentation de l'appareil sur une prise secteur aussi longtemps que tous les raccordements n'ont pas été effectués.
- 8 Ne pas faire fonctionner l'appareil à l'envers. Il risquerait de chauffer et d'être endommagé.
- 9 N'exercez aucune force excessive sur les commutateurs, les boutons et les cordons.
- 10 Pour débrancher la fiche du cordon d'alimentation au niveau de la prise secteur, saisissez la fiche et ne tirez pas sur le cordon.
- 11 Ne nettoyez pas l'appareil au moyen d'un solvant chimique, ce qui pourrait endommager la finition. Utilisez un chiffon sec et propre.
- 12 N'alimentez l'appareil qu'à partir de la tension prescrite. Alimenter l'appareil sous une tension plus élevée est dangereux et peut être responsable d'incendie, de dommage à l'appareil ou de blessure corporelle. Yamaha ne saurait être tenue responsable des dommages résultant de l'alimentation de l'appareil sous une tension autre que celle prescrite.
- 13 Pour empêcher tout dommage causé par les éclairs, déconnectez le câble d'alimentation et toute antenne extérieure de la prise murale pendant un orage.
- 14 Ne tentez pas de modifier ni de réparer l'appareil. Consultez le service Yamaha compétent pour toute réparation qui serait requise. Le coffret de l'appareil ne doit jamais être ouvert, quelle que soit la raison.
- 15 Si vous envisagez de ne pas vous servir de l'appareil pendant une longue période (par exemple, pendant les vacances), débranchez la fiche du câble d'alimentation au niveau de la prise secteur.
- 16 Veuillez vous reporter à la section « Guide de dépannage » du MODE D'EMPLOI concernant les erreurs de fonctionnement courantes avant d'en conclure que l'appareil est défectueux.
- 17 Avant de déplacer l'appareil, appuyez sur  $\odot$  pour éteindre le système puis débranchez la fiche du câble d'alimentation au niveau de la prise secteur.
- 18 La condensation se forme lorsque la température ambiante change brusquement. En ce cas, débranchez la fiche du câble d'alimentation et laissez l'appareil reposer.
- 19 La température de l'appareil peut augmenter en raison d'une utilisation prolongée. En ce cas, coupez l'alimentation de l'appareil et laissez-le au repos pour qu'il refroidisse.

- 20 Installez cet appareil à proximité de la prise secteur et à un emplacement où la fiche du câble d'alimentation est facilement accessible.
- 21 Les piles ne doivent pas être exposées à une chaleur extrême, par exemple au soleil, à une flamme, etc. Lors de la mise au rebut des piles, suivez vos réglementations locales.

Cet appareil n'est pas déconnecté du secteur tant qu'il reste branché à la prise de courant, même si l'appareil en soi est éteint par la touche  $\odot$ . En mode veille, l'appareil consomme une très faible quantité de courant.

**AVERTISSEMENT**  
POUR RÉDUIRE LES RISQUES D'INCENDIE OU DE DÉCHARGE ÉLECTRIQUE,  
N'EXPOSEZ PAS CET APPAREIL À LA PLUIE OU À L'HUMIDITÉ.

Il y a un risque possible de création d'interférences, visibles sur les images en couleurs si cet appareil est placé à côté d'un téléviseur à tube cathodique (tube de Braun). Dans ce cas, éloigner l'unité du téléviseur.

Pour éviter tout risque de lésions oculaires permanentes, ne regardez pas directement la lumière LED.

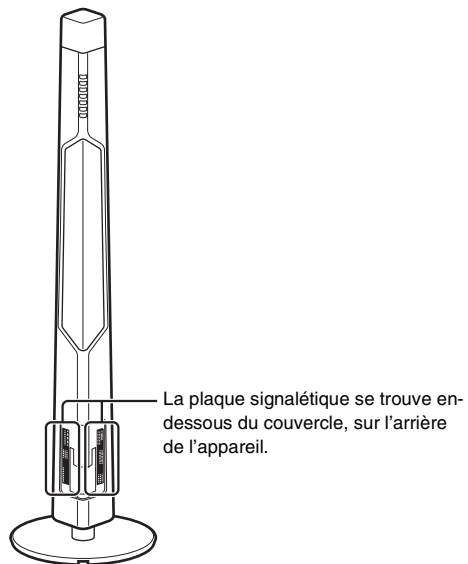
## ■ Remarques à propos des télécommandes et piles

- Ne renversez aucun liquide sur le boîtier de télécommande.
- Ne laissez pas tomber le boîtier de télécommande.
- Ne laissez pas et ne rangez pas le boîtier de télécommande dans les endroits suivants :
  - très humides, par exemple près d'un bain
  - très chauds, par exemple près d'un poêle ou d'un appareil de chauffage
  - exposés à des températures très basses
  - poussiéreux
- Installez la pile en respectant les repères de polarité (+ et -).
- Changez toutes les piles lorsque les symptômes suivants se présentent :
  - la portée du boîtier de télécommande diminue
  - le témoin de transmission ne clignote pas ou l'intensité est faible
- Si la pile est plate, retirez-la immédiatement de la télécommande pour éviter tout risque d'explosion ou de fuite d'acide.
- Si vous remarquez une fuite au niveau des piles, mettez-les immédiatement au rebut en prenant soin de ne pas toucher le produit qui a fui. Si le produit qui a fui entre en contact avec votre peau ou vos yeux ou votre bouche, rincez immédiatement et consultez un médecin. Nettoyez soigneusement le logement des piles avant de mettre en place des piles neuves.
- N'utilisez pas à la fois des piles neuves et des piles usagées. Cela risque de réduire la durée de vie des nouvelles piles ou d'entraîner une fuite des piles usagées.
- N'utilisez pas non plus des piles de deux types différents (par exemple, des piles alcalines et des piles au manganèse). Les caractéristiques des piles peuvent être différentes même si elles semblent identiques. Il y a un risque d'explosion en cas d'erreur dans la mise en place des piles.
- Avant de mettre la nouvelle pile en place, essuyez soigneusement le compartiment.
- Mettez la pile au rebut conformément aux lois en vigueur dans votre région.
- Conservez les piles hors de portée des enfants. Si une pile est avalée accidentellement, contactez immédiatement votre médecin.
- Si vous prévoyez de ne pas utiliser la télécommande pendant une période prolongée, retirez les piles de la télécommande.
- N'essayez pas de charger ou de démonter les piles fournies.



- Les ondes radio peuvent avoir une incidence sur les équipements électroniques médicaux. N'utilisez pas cet appareil à proximité d'équipements médicaux ou à l'intérieur d'institutions médicales.
- N'utilisez pas cet appareil à moins de 22 cm des personnes disposant d'un stimulateur cardiaque ou d'un défibrillateur.

L'utilisateur n'est pas autorisé à rétro-concevoir, décompiler, modifier, traduire ou désassembler le logiciel utilisé dans cet appareil, aussi bien dans ses parties que dans sa totalité. En ce qui concerne les utilisateurs en entreprise, les employés de l'entreprise proprement dite ainsi que ses partenaires commerciaux doivent respecter les interdictions figurant dans cette clause. Si les termes de cette clause et de ce contrat ne peuvent pas être respectés, l'utilisateur devra immédiatement cesser d'utiliser le logiciel.



# PRECAUCIÓN: LEA LAS INDICACIONES SIGUIENTES ANTES DE UTILIZAR ESTE APARATO.

- 1 Para asegurar el mejor rendimiento de este aparato, lea atentamente este manual. Y luego guárdelo en un lugar seguro para poder consultarlo en el futuro en caso de ser necesario.
- 2 Instale este sistema de sonido en un lugar bien ventilado, fresco, seco y limpio, y alejado de la luz solar directa, fuentes de calor, vibración, polvo, humedad y/o frío. Para garantizar una ventilación correcta deberán existir las siguientes distancias mínimas.  
Arriba: 15 cm, Atrás: 10 cm, A los lados: 10 cm
- 3 Coloque este aparato lejos de otros aparatos eléctricos, motores o transformadores, para evitar así los ruidos de zumbido.
- 4 No exponga este aparato a cambios bruscos de temperaturas, del frío al calor, ni lo coloque en lugares muy húmedos (una habitación con deshumidificador, por ejemplo), para impedir así que se forme condensación en su interior, lo que podría causar una descarga eléctrica, un incendio, daños en el aparato y/o lesiones a las personas.
- 5 Evite instalar este aparato en un lugar donde puedan caerle encima objetos extraños y/o donde quede expuesto al goteo o a la salpicadura de líquidos. Encima de este aparato no ponga:
  - Otros componentes, porque pueden causar daños y/o decoloración en la superficie de este aparato.
  - Objetos con fuego (velas, por ejemplo), porque pueden causar un incendio, daños en el aparato y/o lesiones a las personas.
  - Recipientes con líquidos, porque pueden caerse y derramar el líquido, causando descargas eléctricas al usuario y/o dañando el aparato.
- 6 No tape este aparato con un periódico, mantel, cortina, etc. para no impedir el escape del calor. Si aumenta la temperatura en el interior del aparato, esto puede causar un incendio, daños en el aparato y/o lesiones a las personas.
- 7 No enchufe este aparato a una toma de corriente hasta después de haber terminado todas las conexiones.
- 8 No ponga el aparato al revés. Podría recalentarse y posiblemente causar daños.
- 9 No utilice una fuerza excesiva con los conmutadores, los controles y/o los cables.
- 10 Cuando desconecte el cable de alimentación de la toma de corriente, sujete la clavija y tire de ella; no tire del propio cable.
- 11 No limpie este aparato con disolventes químicos porque podría estropear el acabado. Utilice un paño limpio y seco para limpiar el aparato.
- 12 Utilice solamente la tensión especificada en este aparato. Utilizar el aparato con una tensión superior a la especificada resulta peligroso y puede producir un incendio, daños en el aparato y/o lesiones a las personas. Yamaha no se hará responsable de ningún daño debido al uso de este aparato con una tensión diferente de la especificada.
- 13 Para impedir daños debidos a relámpagos, desconecte el cable de alimentación y antenas externas de la toma de corriente durante una tormenta eléctrica.
- 14 No intente modificar ni arreglar este aparato. Póngase en contacto con el personal de servicio Yamaha cualificado cuando necesite realizar alguna reparación. La caja no deberá abrirse nunca por ninguna razón.
- 15 Cuando no piense utilizar este aparato durante mucho tiempo (cuando se ausente de casa por vacaciones, por ejemplo) desconecte el cable de alimentación de la toma de corriente.
- 16 Lea la sección “Resolución de problemas” sobre errores de funcionamiento habituales del MANUAL DE INSTRUCCIONES antes de dar por concluido que este aparato está averiado.
- 17 Antes de trasladar este aparato, pulse  $\odot$  para activar el sistema y, a continuación, desconecte el cable de alimentación CA de la toma de corriente.
- 18 La condensación se formará cuando cambie de repente la temperatura ambiental. Desconecte en este caso el cable de alimentación de la toma de corriente y no utilice el aparato.
- 19 El aparato se calentará cuando lo utilice durante mucho tiempo. Desconecte en este caso la alimentación y luego no utilice el aparato para permitir que se enfríe.

- 20 Instale este aparato cerca de la toma de CA y donde se pueda alcanzar fácilmente la clavija de alimentación.
- 21 Las baterías no deberán exponerse a un calor excesivo como, por ejemplo, el que producen los rayos del sol, el fuego y similares. Cuando deseche las baterías, por favor cumpla las regulaciones de su región.

Este aparato no se desconecta de la fuente de alimentación de CA si está conectada a una toma de corriente, aunque la propia aparato esté apagada con  $\odot$ . En este estado, este aparato ha sido diseñada para que consuma un cantidad de corriente muy pequeña.

## ADVERTENCIA

PARA REDUCIR EL RIESGO DE INCENDIO O DESCARGA ELÉCTRICA, NO EXPONGA ESTE APARATO A LA LLUVIA NI A LA HUMEDAD.

Si se instala la unidad demasiado cerca de un televisor con tubo de rayos catódicos, la calidad del color podría verse perjudicada. En este caso, aleje el sistema del televisor.

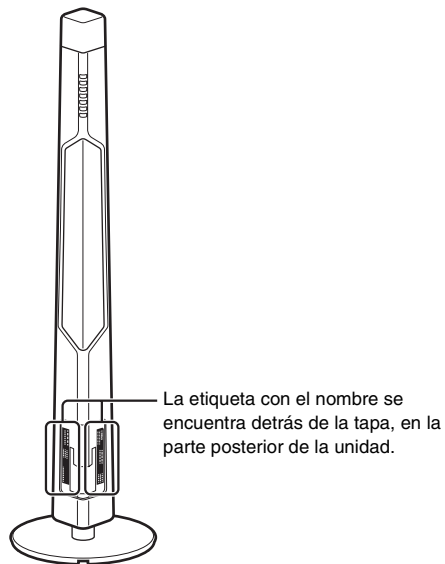
Para evitar el riesgo de sufrir daños oculares permanentes, no mire directamente a la luz LED.

## ■ Observaciones sobre los mandos a distancia y las pilas


- No derrame agua u otros líquidos en el mando a distancia.
- No deje que el mando a distancia se caiga.
- No deje ni guarde el mando a distancia en uno de las siguientes lugares:
  - lugares con alta humedad, por ejemplo, cerca de un baño
  - lugares con temperaturas elevadas, por ejemplo, cerca de una calefacción o estufa
  - lugares con temperaturas muy bajas
  - lugares polvorientos
- Inserte la batería respetando las marcas de polaridad (+ y –).
- Cambie todas las pilas si observa alguna de las siguientes condiciones:
  - el radio de acción del mando a distancia se reduce
  - el indicador de transmisión no parpadea o está atenuado.
- Para impedir explosiones o pérdidas de ácido, retire inmediatamente las pilas del mando a distancia cuando se hayan gastado.
- Si encuentra pilas con fugas, deséchelas inmediatamente, procurando no tocar el material que sale de las pilas. Si el material que sale de las pilas entra en contacto con su piel o entra en sus ojos o boca, lávese inmediatamente y acuda a un médico. Limpie a fondo el compartimiento de las pilas antes de instalar otras nuevas.
- No utilice conjuntamente pilas viejas y pilas nuevas. Esto puede acortar la vida de las pilas nuevas o hacer que las pilas viejas tengan fugas.
- No utilice conjuntamente pilas de diferentes tipos (por ejemplo, alcalinas y de manganeso). La especificación de las pilas puede ser diferente aunque parezca la misma. Se podría provocar explosiones si se emplean pilas erróneas.
- Limpie el compartimiento de las pilas antes de introducir las nuevas.
- Siga la reglamentación local para deshacerse de las pilas.
- Mantenga las pilas fuera del alcance de los niños. En caso tragar accidentalmente una pila, póngase inmediatamente en contacto con un médico.
- Si no tiene previsto utilizar el mando a distancia durante periodos de tiempo prolongados, saque las pilas del mando a distancia.
- No cargue ni desmonte las pilas que se suministran.


- Las ondas de radio pueden afectar a los dispositivos médicos electrónicos.  
No utilice esta unidad cerca de dispositivos médicos o en el interior de instalaciones médicas.
- No utilice la unidad a menos de 22 cm de personas que tengan implantado un marcapasos o un desfibrilador.

El usuario no deberá invertir la ingeniería, alterar, traducir ni descompilar el software utilizado en esta unidad, ya sea en parte o totalmente. Los usuarios corporativos, los empleados de la propia corporación, así como sus socios comerciales deberán cumplir las prohibiciones contractuales estipuladas en esta cláusula. Si las estipulaciones de esta cláusula y de este contrato no se pueden cumplir, el usuario deberá suspender inmediatamente la utilización del software.



## 注意：在操作本机之前请阅读此部分。

- 1 要确保最好的性能，请仔细阅读此手册。请将它保存在安全的地方以备将来参考。
- 2 请将本声音系统安装在通风良好，凉爽并且干燥，干净的地方 - 应远离直射阳光，热源，振动，灰尘，潮湿和 / 或寒冷的地方。为了通风良好，请在最少留出以下距离的间隙。  
顶部：15 cm，背面：10 cm，侧面：10 cm
- 3 请将本机远离其它电子设备、马达或变压器以避免嗡嗡声。
- 4 请勿使本机经受过从冷到热的突然温度改变，勿将本机放置于高湿度的环境中（例如有加湿器的房间）以防止本机内部发生结露，否则可能导致触电、火灾，损害本机，和 / 或人体伤害。
- 5 请避免在外部物体可能落入本机的地方或本机可能遭遇液体滴落或飞溅的地方安装本机。在本机的顶部，请勿放置：
  - 其它组件机，因为它们可能对本机表面造成损坏和 / 或导致变色。
  - 燃烧物体（例如蜡烛），因为它们可能导致火灾，对本机造成损害和 / 或造成人体伤害。
  - 内部装有液体的容器，因为它们可能会摔落并且液体可能引起用户触电损坏本机。
- 6 为了不断热量散发，请勿使用报纸、桌布、窗帘等遮盖本机。如果本机内的温度升高，可能会引起火灾，损坏本机和 / 或导致人体伤害。
- 7 在所有的连接完成之前请勿将本机插头插入墙上插座。
- 8 请勿上下倒置操作本机。它可能过热，并极有可能导致损坏。
- 9 请勿在开关、旋钮和 / 或导线上用力。
- 10 当将电源线从墙上插座断开时，请抓住插头；请勿拖拉导线。
- 11 请勿使用化学溶剂清洁本机；这可能损坏机壳涂层。请使用洁净的干布。
- 12 只能使用本机规定的电压。在本机上使用比规定值高的电压是危险的并可能导致火灾，损坏本机和 / 或造成人体伤害。Yamaha 将不对由于在本机上使用非规定电压而造成的任何损害负责。
- 13 为了避免雷击造成损坏，在雷电期间，将电源导线从墙壁上的电源插座拔下，也将天线从本机上拔下。
- 14 请勿尝试修改或修理本机。当需要任何维修时请联系专业 Yamaha 维修人员。不能以任何理由打开机壳。
- 15 当准备长时间（例如休假）不使用本机时，请将交流电源线从墙上插座断开。
- 16 推断本机故障前，请务必参见“使用说明书”中的“故障排除”章节，获取有关常见操作错误详情。
- 17 在搬动本机之前，请按  将系统设为关闭，并将交流电源插头从墙上插座断开。
- 18 如果环境温度剧烈变化，就可能形成结露。从插座上拔下电源插头，将本机搁置一旁。
- 19 长时间使用本机后，本机可能变热。将电源关闭，将本机搁置冷却。
- 20 将本机靠近交流电源插座安装以便交流电源的接插。
- 21 电池不能置于高热环境，比如火或直射日光等。当您废弃电池时，请遵守当地的法律。

只要本机连接在墙壁的交流电源插座上，即使按下  按钮后本机自身被关闭，本机也没有从交流电源断开。在此状态下，本机消耗很小一部分电力。

### 警告

要减少火灾或触电的危险，请勿将本机暴露于雨中或湿气中。

将本机太靠近基于 CRT（布劳恩管）的电视机放置有可能会影响画面色彩。如果发生这种情况，请移动本机使它远离电视机。

为了避免对眼睛造成永久伤害，请勿直视 LED 灯光。

### ■ 遥控器和电池注意事项

- 请勿水或其它液体洒在遥控器上。
- 请勿跌落遥控器。
- 请勿使遥控器处于或储存于下列类型情况中：
  - 高湿度的地方，例如浴室附近
  - 高温度的地方，例如加热器或炉子附近
  - 温度极低的地方
  - 多灰尘的地方
- 按极性标志（+ 和 -）装入电池。
- 如果有以下情况，请更换所有电池：
  - 遥控器的操作距离变窄。
  - 传输指示器不闪烁或变暗。
- 如果电池用完，请立即从简易遥控器中取出，以避免爆炸或酸液泄露。
- 如发现泄漏的电池，应立即丢弃电池，注意不要接触泄漏原料。如果泄漏原料接触到皮肤或进入眼睛或口中，应立即将其冲掉并就医。在安装新电池之前，请彻底清洁电池舱。
- 新旧电池请勿混用。这会缩短新电池寿命或导致旧电池泄漏。
- 请勿将不同型号的电池一起使用（例如碱性电池和锰电池）。即使电池看上去相同，但其规格可能不同。电池更换错误则有导致爆炸的危险。
- 装上新电池之前，要将电池舱擦拭干净。
- 按当地法规要求处置电池。
- 不要让小孩接触电池。如果意外吞入电池，请立即联系您的医生。
- 当计划长时间不使用遥控器时，请将电池从遥控器中取出。
- 不要为随附的电池充电或拆解随附的电池。



## 주의: 본 기기를 조작하기 전에 읽어 주십시오.

- 최고의 성능을 위하여 본 설명서를 주의깊게 읽어 보십시오. 본 설명서를 안전한 곳에 보관하고 나중에 참고하십시오.
- 서늘하고 건조하며 통풍이 잘 되는 청결한 곳에 본 사운드 시스템을 설치하고, 직사광선, 발열기구, 진동, 먼지, 습기를 멀리하고 추운 곳에 두지 마십시오. 환기가 잘 되게 하려면 주변에 아래와 같이 여유를 두십시오.  
위쪽 : 15 cm, 뒤쪽 : 10 cm, 옆쪽 : 10 cm
- 원형거리는 소리를 방지하려면 다른 전자 제품, 모터 또는 변압기에서 본 기기를 멀리 떨어뜨려 설치하십시오.
- 본 기기 내부의 결로 현상을 방지하려면 낮은 온도에서 높은 온도로 온도가 급격하게 변하는 곳에 본 기기를 노출시키거나 습도가 높은 환경(예, 가습기가 있는 룸)에 본 기기를 설치하지 마십시오. 화재가 발생하거나, 기기가 손상되거나, 사용자가 감전되거나 부상당할 수도 있습니다.
- 이물질이 본 기기에 떨어질 수 있는 곳, 또는 액체가 떨어지거나 흐를 수 있는 곳에 본 기기를 설치하지 마십시오. 본 기기위에 다음과 같은 물체를 올려놓지 마십시오:  
- 다른 기기. 본 기기의 표면이 손상되거나 변색될 수도 있습니다.  
- 연소되는 물체(예, 초). 화재가 발생하거나 본 기기가 손상되거나 사용자가 부상당할 수도 있습니다.  
- 액체가 담긴 용기. 용기가 넘어져 사용자가 감전되거나 본 기기가 손상될 수도 있습니다.
- 열 복사가 방해되지 않도록 신문, 책상보 및 커튼 등으로 본 기기를 덮지 마십시오. 본 기기의 내부 온도가 높아지면 화재가 발생하거나 본 기기가 손상되거나 사용자가 부상당할 수도 있습니다.
- 모든 연결이 완료될 때까지 본 기기의 플러그를 연결하지 마십시오.
- 본 기기를 뒤집어서 조작하지 마십시오. 본 기기가 과열되어 손상될 수도 있습니다.
- 스위치, 노브 또는 코드에 강한 압력을 가하지 마십시오.
- 전원 케이블을 콘센트에서 분리하는 경우, 항상 플러그를 잡고 케이블을 잡아 당기지 마십시오.
- 화학솔벤트로 본 기기를 닦지 마십시오. 표면의 마무리가 훼손될 수도 있습니다. 깨끗하고 마른 헝겊을 사용하십시오.
- 반드시 본 기기에 지정된 전압만을 사용하십시오. 지정된 전압 이외의 전압을 사용하는 것은 매우 위험하며 화재가 발생하거나 본 기기가 손상되거나 사용자가 부상당할 수도 있습니다. 지정된 전압 이외의 전압을 사용하여 발생한 손상에 대해서 Yamaha는 어떠한 책임도 지지 않습니다.
- 번개에 의한 손상을 방지하려면 뇌우시 전원 케이블을 콘센트에서 분리하십시오.
- 본 기기를 개조하거나 수리하지 마십시오. 서비스가 필요한 때에는 공인 Yamaha 정비사에게 의뢰하십시오. 어떤 이유로든지 절대로 캐비닛을 열지 마십시오.
- 오랜 기간 동안 본 기기를 사용하지 않는 경우(예, 휴가), 전원을 콘센트에서 분리하십시오.
- 본 장치의 결함으로 결론을 내리기 전에 일반적인 조작 에러의 경우에는 반드시 사용 설명서의 "문제 해결" 부분을 참조하시기 바랍니다.
- 본 기기를 옮기기 전에 ㉠을 눌러 시스템의 전원을 끈 다음 AC 전원 플러그를 콘센트에서 분리하십시오.
- 주변 온도가 급격히 변하는 경우, 결로 현상이 발생합니다. 전원 케이블을 콘센트에서 분리한 후 본 기기를 킵니다.
- 본 기기를 장시간 사용하는 경우, 기기가 과열될 수도 있습니다. 전원을 끄고 식도록 본 기기를 킵니다.
- 기기를 설치할 때 벽면 콘센트에 쉽게 접근할 수 있도록하여 주십시오.

- 건전지를 직사광선, 불꽃 등과 같이 과도한 화기에 노출시키지 마십시오. 배터리를 폐기할 때에는 해당 지역의 규정을 따르십시오.

본 기기가 콘센트에 연결되어 있으면 ㉠으로 본 기기의 자체 전원을 끄더라도 전원이 차단되지 않습니다. 이 상태에서 본 기기는 아주 적은 양의 전원을 소모하도록 설계되어 있습니다.

### 경고

화재 및 감전의 위험을 줄이기 위해 본체를 비나 습기 등에 노출시키지 마십시오.

본 기기를 CRT 방식(브라운관) TV와 너무 가까운 곳에 놓으면 화면 색상이 나빠질 수도 있습니다. 그런 경우에는 본 기기를 TV에서 먼 곳으로 옮기십시오.

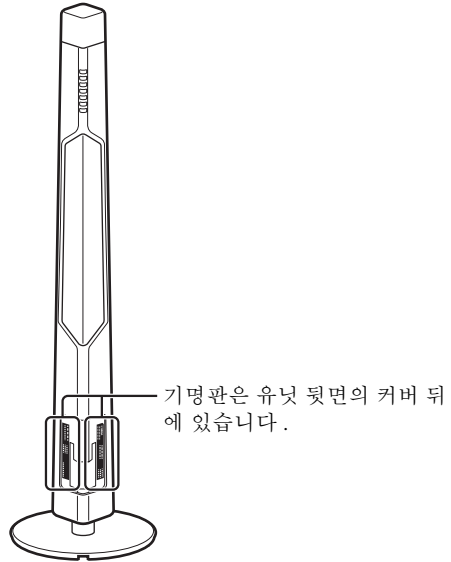
영구적 시력 손상의 위험이 올 수 있으므로 LED 빛을 눈으로 직접 보지 마십시오.

### ■ 리모컨 및 배터리 참고 사항

- 리모콘에 물이나 기타 액체를 얼리지 마십시오.
- 리모콘을 떨어뜨리지 마십시오.
- 리모콘을 다음과 같은 환경에 두지 마십시오:
  - 육질 근처의 습도가 높은 장소
  - 히터나 스토브 근처 등의 온도가 높은 장소
  - 온도가 매우 낮은 장소
  - 먼지가 많은 장소
- 극 표시(+ 및-)에 맞춰 배터리를 삽입하십시오.
- 다음과 같은 상태일 경우에는 건전지를 모두 교체하십시오:
  - 리모콘의 작동 범위가 좁아질 경우
  - 송신 표시등이 깜박이지 않거나 흐릿해질 경우
- 배터리가 다 닳았으면 신속하게 단순 리모콘으로부터 제거하여 폭발이나 산의 누출을 방지하십시오.
- 누출된 건전지를 발견하면, 즉시 폐기하고, 누출된 물질에 닿지 않도록 주의하십시오. 누출된 물질이 피부에 닿거나 눈이나 입으로 들어간 경우에는 즉시 그것을 행구어낸 다음, 의사의 상담을 받으십시오. 새 건전지를 삽입하기 전에 건전지 칸을 깨끗하게 닦으십시오.
- 오래된 건전지를 새 건전지와 함께 사용하지 마십시오. 그렇게 하면 새 건전지의 수명이 단축되거나 오래된 건전지가 누출될 수 있습니다.
- 서로 다른 종류의 건전지(알카라인 및 망간 건전지 등)를 함께 사용하지 마십시오. 건전지가 동일하게 보이더라도 사양은 서로 다를 수 있습니다. 이 상태에서 본 기기는 아주 적은 양의 전원을 소모하도록 설계되어 있습니다.
- 새 배터리를 삽입하기 전에 배터리 삽입 공간을 깨끗하게 닦아 주십시오.
- 현지 규정에 따라 배터리를 처분하십시오.
- 어린이의 손이 닿지 않는 곳에 배터리를 보관하십시오. 사고로 배터리를 삼켰을 경우, 즉시 의사에게 상담하십시오.
- 리모컨을 장시간 사용하지 않을
- 경우에는 리모컨에서 배터리를 빼내어 보관하십시오.
- 제공된 배터리를 충전하거나 해체하지 마십시오.

- 전파가 전자 의료 기기에 영향을 미칠 수 있습니다.  
본 기기를 의료 기기 주변이나 의료 시설 내부에서 사용하지 마십시오.
- 심장 박동 조절 장치나 심장 소생기를 착용한 사람으로부터 22 cm 내에서 본 기기를 사용하지 마십시오.

사용자는 본 기기에 사용된 소프트웨어를 부분적으로든 전체적으로든 역설계, 디컴파일, 변환 또는 분해해서는 안 됩니다. 기업 사용자의 경우 기업의 종업원 및 사업 파트너는 이 절에 규정된 금지 특약을 준수해야 합니다. 이 절의 규정 및 이 계약서를 준수할 수 없는 경우 사용자는 즉시 소프트웨어 사용을 중단해야 합니다.



**Important Notice:**  
**Guarantee Information for customers in EEA\* and Switzerland**

For detailed guarantee information about this Yamaha product, and Pan-EEA\* and Switzerland warranty service, please either visit the website address below (Printable file is available at our website) or contact the Yamaha representative office for your country.

\* EEA: European Economic Area

<http://europe.yamaha.com/warranty/>

