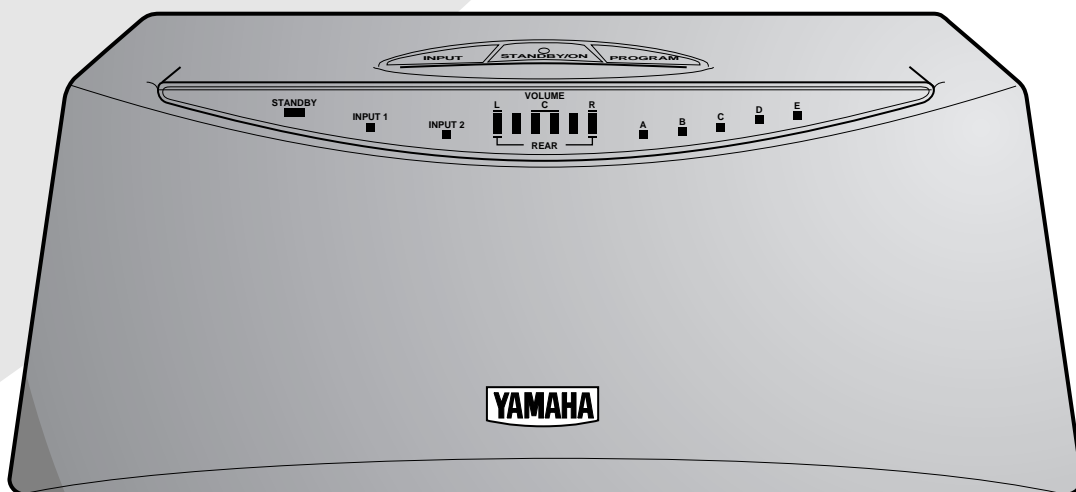


YAMAHA

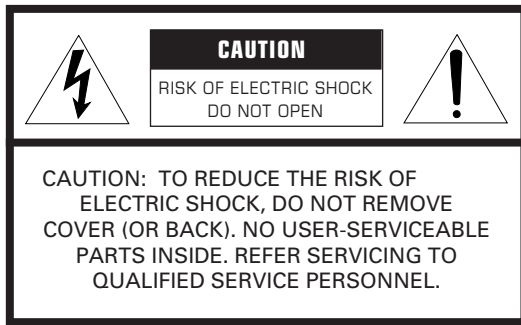
AV-S7

Home Cinema Sound System
Système Audio Home Cinéma

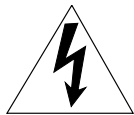
OWNER'S MANUAL
MODE D'EMPLOI



SAFETY INSTRUCTIONS



• Explanation of Graphical Symbols



The lightning flash with arrowhead symbol, within an equilateral triangle, is intended to alert you to the presence of uninsulated "dangerous voltage" within the product's enclosure that may be of sufficient magnitude to constitute a risk of electric shock to persons.



The exclamation point within an equilateral triangle is intended to alert you to the presence of important operating and maintenance (servicing) instructions in the literature accompanying the appliance.



- 1 Read Instructions – All the safety and operating instructions should be read before the unit is operated.
- 2 Retain Instructions – The safety and operating instructions should be retained for future reference.
- 3 Heed Warnings – All warnings on the unit and in the operating instructions should be adhered to.
- 4 Follow Instructions – All operating and other instructions should be followed.
- 5 Water and Moisture – The unit should not be used near water – for example, near a bathtub, washbowl, kitchen sink, laundry tub, in a wet basement, or near a swimming pool.
- 6 Carts and Stands – The unit should be used only with a cart or stand that is recommended by the manufacturer.

6A A unit and cart combination should be moved with care. Quick stops, excessive force, and uneven surfaces may cause the unit and cart combination to overturn.



- 7 Wall or Ceiling Mounting – The unit should be mounted to a wall or ceiling only as recommended by the manufacturer.
- 8 Ventilation – The unit should be situated so that its location or position does not interfere with its proper ventilation. For example, the unit should not be situated on a bed, sofa, rug, or similar surface that may block the ventilation openings; or placed in a built-in installation, such as a bookcase or cabinet that may impede the flow of air through the ventilation openings.
- 9 Heat – The unit should be situated away from heat sources such as radiators, stoves, or other appliances that produce heat.
- 10 Power Sources – The unit should be connected to a power supply only of the type described in the operating instructions or as marked on the unit.
- 11 Power-Cord Protection – Power-supply cords should be routed so that they are not likely to be walked on or pinched by items placed upon or against them, paying particular attention to cords at plugs, convenience receptacles, and the point where they exit from the unit.
- 12 Cleaning – The unit should be cleaned only as recommended by the manufacturer.
- 13 Nonuse Periods – The power cord of the unit should be unplugged from the outlet when left unused for a long period of time.
- 14 Object and Liquid Entry – Care should be taken so that objects do not fall into and liquids are not spilled into the inside of the unit.
- 15 Damage Requiring Service – The unit should be serviced by qualified service personnel when:
 - A. The power-supply cord or the plug has been damaged; or
 - B. Objects have fallen, or liquid has been spilled into the unit; or
 - C. The unit has been exposed to rain; or
 - D. The unit does not appear to operate normally or exhibits a marked change in performance; or
 - E. The unit has been dropped, or the cabinet damaged.
- 16 Servicing – The user should not attempt to service the unit beyond those means described in the operating instructions. All other servicing should be referred to qualified service personnel.
- 17 Power Lines – An outdoor antenna should be located away from power lines.
- 18 Grounding or Polarization – Precautions should be taken so that the grounding or polarization is not defeated.

FCC INFORMATION (for US customers only)

1. **IMPORTANT NOTICE : DO NOT MODIFY THIS UNIT!**

This product, when installed as indicated in the instructions contained in this manual, meets FCC requirements. Modifications not expressly approved by Yamaha may void your authority, granted by the FCC, to use the product.

2. **IMPORTANT :** When connecting this product to accessories and/or another product use only high quality shielded cables. Cable/s supplied with this product **MUST** be used. Follow all installation instructions. Failure to follow instructions could void your FCC authorization to use this product in the USA.

3. **NOTE :** This product has been tested and found to comply with the requirements listed in FCC Regulations, Part 15 for Class "B" digital devices. Compliance with these requirements provides a reasonable level of assurance that your use of this product in a residential environment will not result in harmful interference with other electronic devices.

This equipment generates/uses radio frequencies and, if not installed and used according to the instructions found in the users manual, may cause interference harmful to the operation of other electronic devices.

Compliance with FCC regulations does not guarantee that interference will not occur in all installations. If this product is found to be the source of interference, which can be determined by turning the unit "OFF" and "ON", please try to eliminate the problem by using one of the following measures:

Relocate either this product or the device that is being affected by the interference.

Utilize power outlets that are on different branch (circuit breaker or fuse) circuits or install AC line filter/s.

In the case of radio or TV interference, relocate/reorient the antenna. If the antenna lead-in is 300 ohm ribbon lead, change the lead-in to coaxial type cable.

If these corrective measures do not produce satisfactory results, please contact the local retailer authorized to distribute this type of product. If you can not locate the appropriate retailer, please contact Yamaha Electronics Corp., U.S.A. 6660 Orangethorpe Ave, Buena Park, CA 90620.

The above statements apply **ONLY** to those products distributed by Yamaha Corporation of America or its subsidiaries.

We Want You Listening For A Lifetime (for US customers only)

YAMAHA and the Electronic Industries Association's Consumer Electronics Group want you to get the most out of your equipment by playing it at a safe level. One that lets the sound come through loud and clear without annoying blaring or distortion – and, most importantly, without affecting your sensitive hearing.

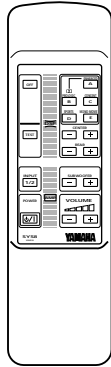
Since hearing damage from loud sounds is often undetectable until it is too late, YAMAHA and the Electronic Industries Association's Consumer Electronics Group recommend you to avoid prolonged exposure from excessive volume levels.



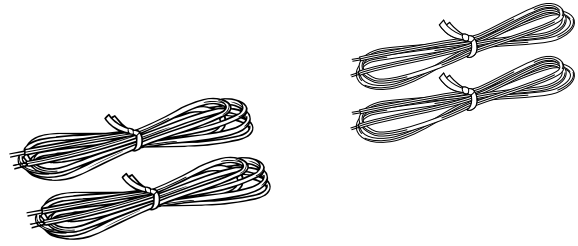
SUPPLIED ACCESSORIES
ACCESSOIRES FOURNIS

- After unpacking, check that the following parts are included.
- Après le déballage, vérifier que les pièces suivantes sont incluses.

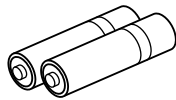
- Remote control transmitter
- Télécommande



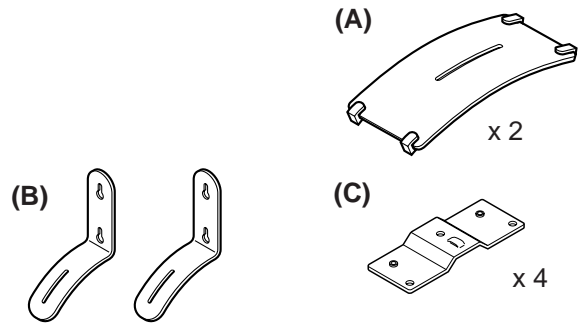
- Speaker cords
- Câbles d'enceintes



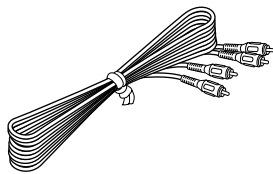
- Batteries (size AA, UM/SUM-3, R6, HP-7)
- Piles (format AA, UM/SUM-3, R6, HP-7)



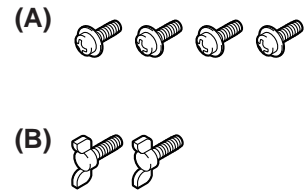
- Mounting brackets
- Supports de montage



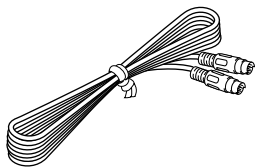
- Audio connection cord
- Câble de connexion audio



- Screws
- Vis



- System connector cable
- Câble de connexion du système



- Velcro strips
- Bandes Velcro



CONTENTS

	Page		Page
PRECAUTIONS		USING THE AV-S7	
PRECAUTIONS	2-3	USING THE AV-S7	20-22
NOTES ABOUT THE REMOTE CONTROL TRANSMITTER		TROUBLESHOOTING	
NOTES ABOUT THE REMOTE CONTROL TRANSMITTER	4	TROUBLESHOOTING	23
OUTLINE OF THIS SYSTEM		SPECIFICATIONS	
SYSTEM CONFIGURATION	5	SPECIFICATIONS	24
FEATURES	6		
DIGITAL SOUND FIELD PROCESSOR (DSP)	7		
SETTING UP THE SPEAKERS			
SETTING UP THE SPEAKERS	8-11		
CONNECTIONS			
CONNECTIONS	12-15		
CONTROLS AND THEIR FUNCTIONS			
CONTROLS AND THEIR FUNCTIONS	16-17		
TURNING ON THIS SYSTEM OR SETTING IT TO STANDBY MODE			
TURNING ON THIS SYSTEM OR SETTING IT TO STANDBY MODE	18		
ADJUSTMENTS BEFORE LISTENING OPERATIONS			
SPEAKER BALANCE ADJUSTMENT	19		

PRECAUTIONS: READ THIS BEFORE OPERATING THIS SYSTEM

- To assure the finest performance, please read this manual carefully. Keep it in a safe place for future reference.
- Choose the installation location of this system carefully. Avoid placing it in direct sunlight or close to a source of heat. Also avoid locations subject to vibration and excessive dust, heat, cold or moisture. Keep it away from sources of humming such as transformers and electric motors.
- Do not operate this system upside-down. It may overheat, possibly causing damage.
- Never open the cabinet. If something drops into the set, contact your dealer.
- The openings on the surface of the power amplifier/subwoofer unit assure proper ventilation of the unit. If these openings are obstructed, the temperature inside the unit will rise rapidly. Therefore, avoid placing objects against these openings, and install the unit in a well-ventilated place. Make sure to allow a space of at least 10 cm behind, 10 cm on the both sides and 20 cm above the top panel of the unit, and never use the unit with the unit laid down on the floor. Doing so may not only damage the unit, but also cause a fire.
- Always set the volume setting to minimum before starting play of an audio source. Increase the volume gradually to an appropriate level.
- When not planning to use this system for long periods of time (such as during vacation), disconnect the AC power plug from the wall outlet.
- Do not use excessive force on the switches, controls or connection wires. When moving the unit, first disconnect the power plug and the wires connected to other equipment. Never pull the wire itself.
- Do not attempt to clean the system with chemical solvents; this might damage the finish. Use a clean, dry cloth.
- Be sure to read the "TROUBLESHOOTING" section regarding common operating errors before concluding that the system is faulty.
- To prevent lightning damage, disconnect the AC power plug and the antenna cable when there is an electrical storm.
- Do not plug the AC power plug into the wall outlet before you finish all connections.
- The voltage to be used must be the same as that specified on this system. Using this unit with a higher voltage than that which is specified is dangerous and may result in a fire or other type of accident causing damage. YAMAHA will not be held responsible for any damage resulting from use of this system with a voltage other than that which is specified.
- The sound level at a given volume setting depends on the speaker location and other factors. Care should be taken to avoid exposure to sudden high levels of sound which may occur when turning on the system with the volume setting at high, and to continuous high levels of sound.
- Sudden temperature changes and storage or operation in an extremely humid environment may cause condensation inside the system. Condensation can cause the system to malfunction. To eliminate condensation:
 - **Remote control**
Wipe off condensation on the transmitter window with a soft cloth before operating the system.
- **Secure placement or installation is the owner's responsibility. YAMAHA shall not be liable for any accident caused by improper placement or installation of this system.**

IMPORTANT

Please record the serial number of this system in the space below.

Serial No.:

The serial number is located on the rear of the power amplifier/subwoofer (SW-AVS7). Retain this Owner's Manual in a safe place for future reference.

PRECAUTIONS

CAUTION (FOR CANADA MODEL)

TO PREVENT ELECTRIC SHOCK, MATCH WIDE BLADE OF PLUG TO WIDE SLOT AND FULLY INSERT.

FOR CANADIAN CUSTOMER

THIS CLASS B DIGITAL APPARATUS MEETS ALL REQUIREMENTS OF THE CANADIAN INTERFERENCE-CAUSING EQUIPMENT REGULATIONS.

For U.K. customers

If the socket outlets in the home are not suitable for the plug supplied with this appliance, it should be cut off and an appropriate 3 pin plug fitted. For details, refer to the instructions described below.

Note: The plug severed from the mains lead must be destroyed, as a plug with bared flexible cord is hazardous if engaged in a live socket outlet.

SPECIAL INSTRUCTIONS FOR U.K. MODEL

IMPORTANT

THE WIRES IN THE MAINS LEAD ARE COLOURED IN ACCORDANCE WITH THE FOLLOWING CODE:

Blue: NEUTRAL

Brown: LIVE

As the colours of the wires in the mains lead of this apparatus may not correspond with the coloured markings identifying the terminals in your plug, proceed as follows:

The wire which is coloured BLUE must be connected to the terminal which is marked with the letter N or coloured BLACK. The wire which is coloured BROWN must be connected to the terminal which is marked with the letter L or coloured RED. Make sure that neither core is connected to the earth terminal of the three pin plug.

FOR U.K. AND EUROPE MODELS ONLY

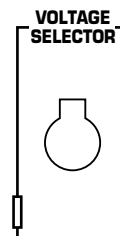
MAIN POWER switch

The U.K. and Europe models are equipped with a MAIN POWER switch on the rear bottom panel of the power amplifier/subwoofer (SW-AVS7). Setting this to ON switches the AV-S7 system to STANDBY mode. To power on the system, press the STANDBY/ON button on the center speaker or the POWER button on the remote control transmitter.

VOLTAGE SELECTOR (FOR GENERAL AND CHINA MODELS ONLY)

The voltage selector on the bottom of the power amplifier/subwoofer (SW-AVS7) must be set for your local main voltage BEFORE plugging into the AC main supply.

Voltages are 110/120/220/240V AC, 50/60 Hz.



This system is still connected to the AC power source as long as it is connected to the wall outlet, even if the system itself is turned off.

In this state, this system is designed to consume a very small quantity of power. Pressing the STANDBY/ON button (or POWER button) lights up the STANDBY indicator and puts the system into standby. This is called STANDBY mode.

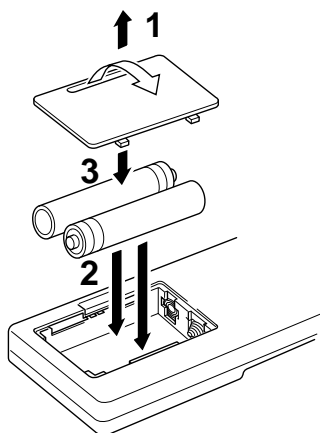
WARNING

To reduce the risk of fire or electric shock, do not expose this system to rain or moisture.

To avoid electrical shock, do not open the cabinet. Refer servicing to qualified personnel only.

NOTES ABOUT THE REMOTE CONTROL TRANSMITTER

Loading the batteries for the remote control transmitter

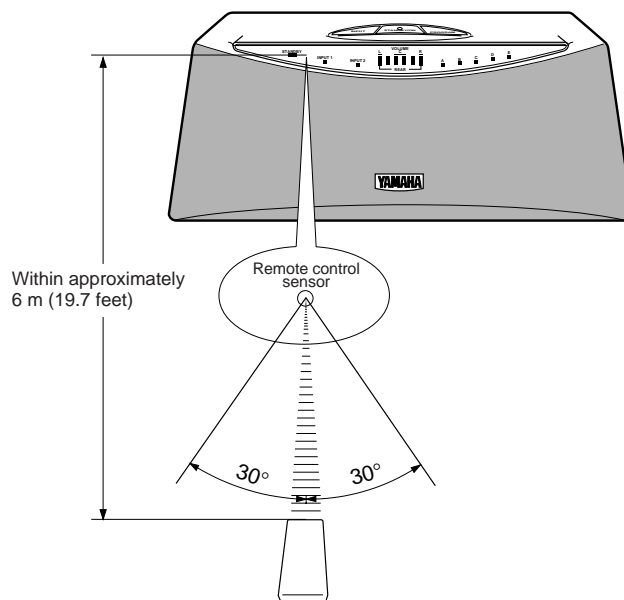


- 1** Remove the battery compartment cover. (Slide the cover in the direction of the arrow.)
- 2** Insert 2 “AA” size batteries (UM/SUM-3, R6, HP-7 or equivalent) into the battery compartment.
 - * Installing the batteries improperly may cause failure.
- 3** Replace the battery compartment cover.

Precautions for battery use

- Insert the batteries according to the direction indicated in the battery compartment.
- Replace all batteries with new ones at the same time.
- Remove the batteries if they are weak or if the unit will not be used for a long period of time.
- Do not mix normal batteries with rechargeable batteries.

Proper use of the remote control transmitter



Aim the remote control transmitter at the remote control sensor (within a 60° range with no obstacles) and operate as shown.

Notes concerning use

- Replace the batteries if the control distance decreases or operation becomes unstable.
- Periodically clean the transmitter window on the remote control transmitter and the sensor on the center speaker with a soft cloth.
- Exposing the sensor on the center speaker to strong light (such as an inverter-type fluorescent lamp) may interfere with operation. In this case, reposition the center speaker to avoid direct light.
- Keep the remote control transmitter away from moisture, excessive heat, shock and vibrations.
- The remote control transmitter’s range is from 0.2m (8”) to 6m (20’) from the sensor.

SYSTEM CONFIGURATION

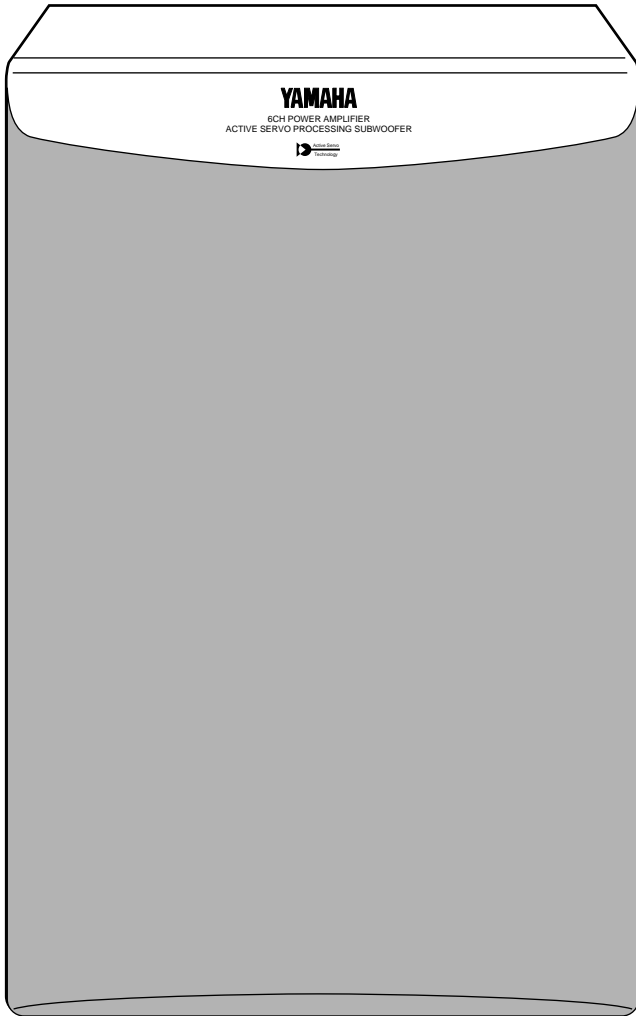
- The AV-S7 system consists of the SW-AVS7, NX-AVS7 and the NX-AV1.

This system is a multi-channel audio system which consists of the units shown below.

By driving 6 speakers, the built-in digital sound field processor (DSP) creates various kinds of Yamaha original digital sound fields simulating an actual concert hall, live house and other venues. When watching a movie source, the built-in Dolby Pro Logic Surround decoder and the digital sound field processor turn your room into a movie theater with tremendous impact.

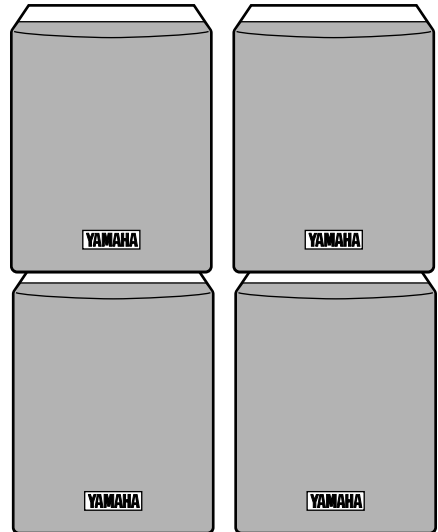
Ultra-low bass reproduced by the subwoofer (SW-AVS7) makes sound more real and powerful.

This system will give you great enjoyment in watching TV and playing various audio sources.

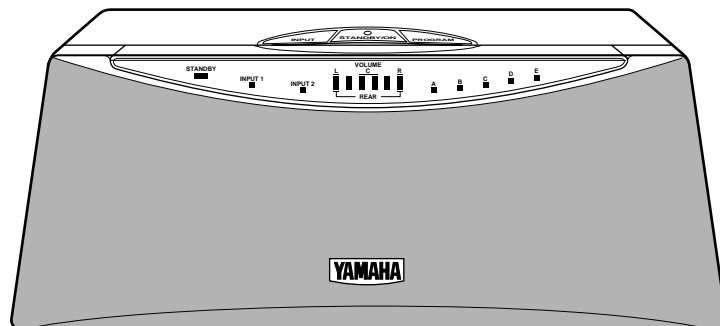


SW-AVS7
(6-channel power amplifier and Active Servo Processing Subwoofer system)

NX-AV1
Front and Rear Speakers
(Full-range speakers)



NX-AVS7
Center Speaker
(Full-range speaker with built-in control unit)



FEATURES**The System**

- **6-Speaker Multi-Channel Audio System Including Two Front Speakers, One Center Speaker, Two Rear Speakers and One Subwoofer**
- **Minimum RMS Output Power per Channel**
 - Front L, R: 30W + 30W (6Ω) RMS Output Power, 10% THD, 1 kHz**
25W + 25W (6Ω) RMS Output Power, 0.9% THD, 1 kHz
 - Center: 30W (6Ω) RMS Output Power, 10% THD, 1 kHz**
25W (6Ω) RMS Output Power, 0.9% THD, 1 kHz
 - Rear L, R: 30W + 30W (6Ω) RMS Output Power, 10% THD, 1 kHz**
25W + 25W (6Ω) RMS Output Power, 0.9% THD, 1 kHz
 - Subwoofer: 50W (4Ω) RMS Output Power, 10% THD, 100 Hz**
40W (4Ω) RMS Output Power, 0.9% THD, 100 Hz
- **Active Servo Processing Subwoofer System for Ultra-low Bass Reproduction (SW-AVS7)**
- **Center Speaker (NX-AVS7) with Built-in Control Unit Equipped with STANDBY, INPUT 1/2, VOLUME, and PROGRAM Indicators**
- **Simple and Easy Operating Procedures**
- **Remote Control Capability**

Sound Field Processor Including Dolby Pro Logic Surround Decoder

- **Digital Sound Field Processor (Programs: CONCERT, SPORTS, MONO MOVIE)**
- **Dolby Pro Logic Surround Decoder (Program: DOLBY PRO LOGIC)**
- **CINEMA DSP: Theater-like Sound Experience by a Combination of Dolby Pro Logic and YAMAHA DSP Technology (Program: DOLBY PRO LOGIC ENHANCED)**
- **Automatic Input Balance Control for Dolby Pro Logic Surround**
- **Test Tone Generator for Easier Speaker Balance Adjustment**

DIGITAL SOUND FIELD PROCESSOR (DSP)

The Digital Sound Field Processor (DSP) built into this system takes advantage of Yamaha's undisputed leadership in the field of digital audio processing to bring you a whole new world of listening experiences. Follow the instructions in this manual carefully when setting up your system, and this unit will sonically transform your room into a wide range of listening environments –movie theater, concert hall, and so on. In addition, you get incredible realism from sources encoded with Dolby Surround using the built-in Dolby Pro Logic Surround Decoder.

Please read this operation manual carefully and store it in a safe place for later reference.

Digital Sound Field Processing

What is it that makes live music so good? Today's advanced sound reproduction technology lets you get extremely close to the sound of a live performance, but chances are you'll still notice something missing: the acoustic environment of the live concert hall. Extensive research into the exact nature of the sonic reflections that create the ambience of a large hall has made it possible for Yamaha engineers to bring you this same sound in your own listening room, so you'll feel all the sound of a live concert.

Furthermore, our technicians, armed with sophisticated measuring equipment, have even made it possible to capture the acoustics of a variety of venues such as an actual concert hall and theater to allow you to accurately recreate one of several actual live performance environments, all in your own home.

Dolby Pro Logic Surround

This unit employs a Dolby Pro Logic Surround decoder similar to professional Dolby Stereo decoders used in many movie theaters. By using the Dolby Pro Logic Surround decoder, you can experience the dramatic realism and impact of Dolby Surround movie theater sound in your own home. Dolby Pro Logic employs a four-channel five-speaker system. The Pro Logic Surround system divides the input signal into four levels: the left and right main channels, the center channel (used for dialog), and the rear surround sound channels (used for sound effects, background noise, and other ambient noises). The center channel allows listeners seated in even less-than-ideal positions to hear the dialog originating from the action on the screen while experiencing good stereo imaging.

Dolby Surround is encoded on the sound track of pre-recorded video tapes, laser discs, and some TV/cable broadcasts. When you play a source encoded with Dolby

Surround on this unit, the Dolby Pro Logic Surround decoder decodes the signal and distributes the surround-sound effects.

This Dolby Pro Logic Surround Decoder employs a digital signal processing system. This system improves the stability of sound at each channel and minimizes crosstalk between channels, so that positioning of sounds around the room is more accurate compared with conventional analog signal processing systems. In addition, this unit features a built-in automatic input balance control. This always assures you the best performance without manual adjustment.


Manufactured under license from Dolby Laboratories Licensing Corporation. "Dolby", "Pro Logic", and the double-D symbol are trademarks of Dolby Laboratories Licensing Corporation.

Dolby Pro Logic Surround + DSP

Dolby Surround sound system shows its full ability in a large movie theater, because movie sounds are originally designed to be reproduced in a large movie theater using many speakers. It is difficult to create a sound environment similar to that of a movie theater in your listening room, because the room size, materials of inside walls, the number of speakers, and other factors of your listening room are much different from those of a movie theater.

Yamaha DSP technology made it possible to present you with nearly the same sound experience as that of a large movie theater in your listening room by compensating for lack of presence and dynamics in your

listening room with its original digital sound fields combined with Dolby Surround sound field.

The combination of Dolby Pro Logic Surround and DSP is used on the sound field program "  PRO LOGIC ENHANCED".

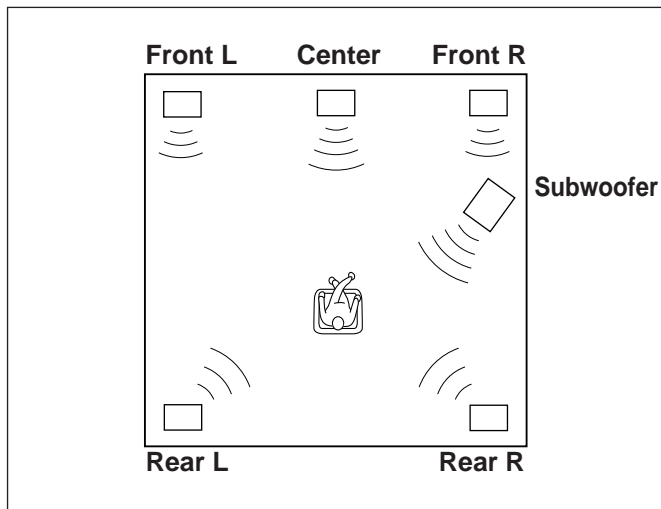
CINEMA DSP

The YAMAHA "CINEMA DSP" logo indicates these programs are created by the combination of Dolby Pro Logic and YAMAHA DSP technology.

SETTING UP THE SPEAKERS

Before you make connections, place all units in this system in their proper positions. Above all, the positioning of the speakers is important because it controls the whole sound quality of this system.

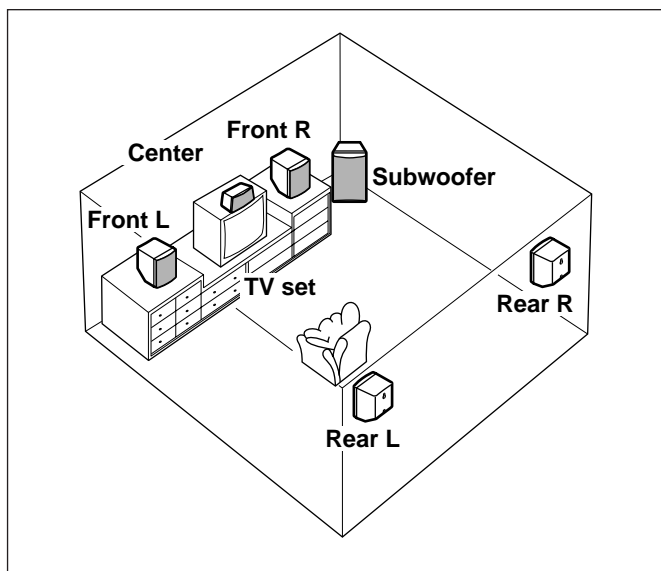
Position the speakers on the basis of your listening position by following the instructions in this section.



Speaker configuration

This system employs a 6-speaker configuration: 2 front speakers, 2 rear speakers, a center speaker and a subwoofer.

The front speakers are used for the main source sound plus the effect sounds. The rear speakers are used for the effect and surround sounds, and the center speaker is for the center sounds (such as dialog.). The subwoofer is for reinforcing low frequencies of the main source sound and the center sound.



Placing speakers

Front speakers: On both sides of the TV and at almost the same height as the TV.

Rear speakers: Behind your listening position, facing slightly inward. Nearly six feet (approx. 1.8 m) up from the floor.

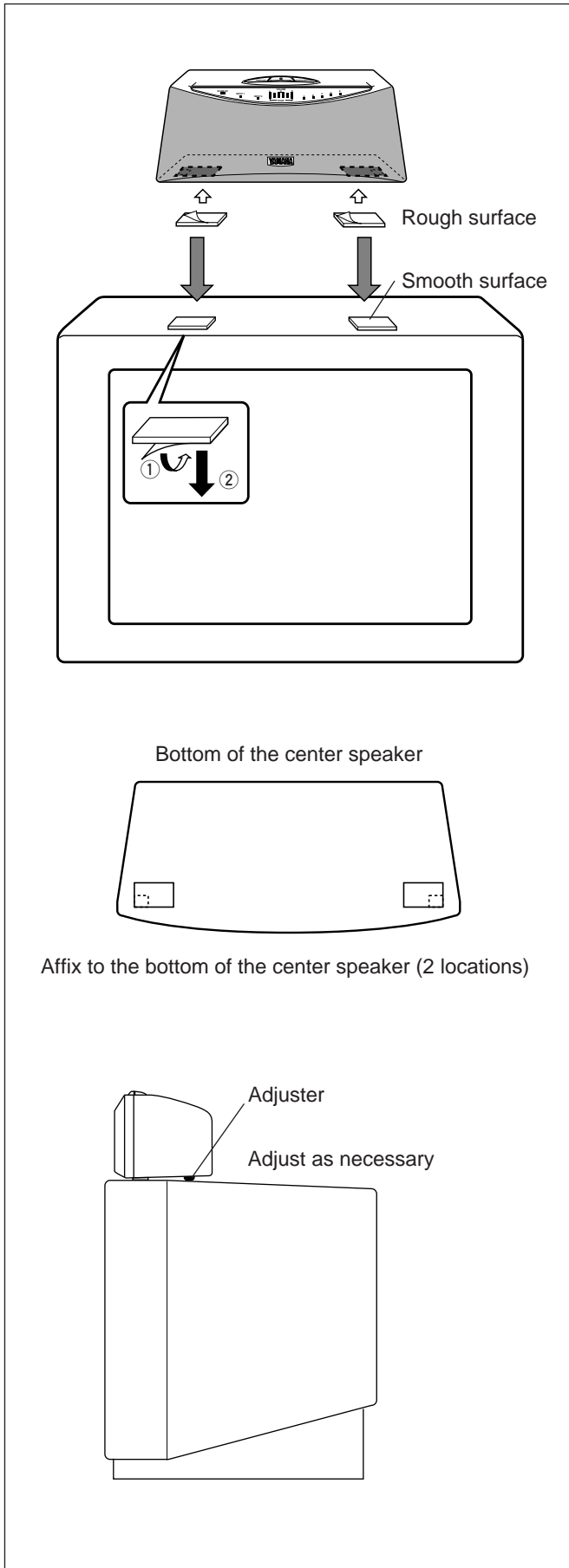
Center speaker: Precisely between the front speakers.

Subwoofer: The position of the subwoofer is not so critical because low bass tones are not highly directional.

Note

Although FRONT, REAR, and CENTER speakers are magnetically shielded, there may be some influence on the TV picture depending on the type of TV or the placement of the speakers. In such a case, place the speakers far enough from the TV so that there is no influence on the TV picture.

Center Speaker Installation

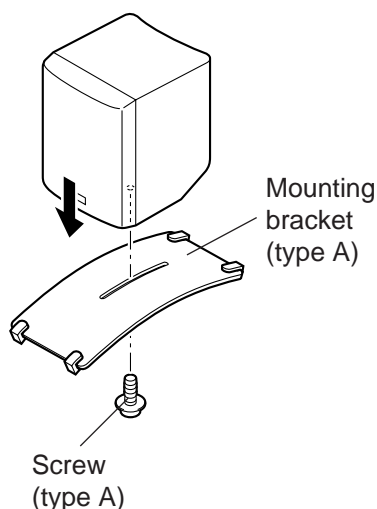


When installing the center speaker on the TV, be sure to secure the center speaker to the TV using the velcro strips provided so that it does not fall.

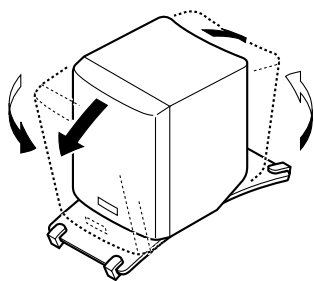
Notes

- Do not place the center speaker on top of a TV whose area is smaller than the bottom area of the center speaker, as the center speaker may drop and cause personal injury.
- Although this center speaker is a magnetically shielded type, there may be some influence on the TV picture depending on the type of TV or the placement of the center speaker. In such a case, place the center speaker apart from the TV so that there is no influence on the TV picture.
- Be sure to remove all dust, debris, oil, and other substances adhering to the section where the velcro strip is affixed. If this section is dirty, the velcro strip will not affix properly, and the center speaker may move or fall.
- When peeling off the backing paper of the velcro strips, be careful not to touch the adhesive surface. Doing so harms the adhesion strength.
- If there is a gap between the center speaker and TV, turn and extend the adjuster on the bottom rear section of the center speaker so that the center speaker is stable.

1



2



■ Mounting the front speakers

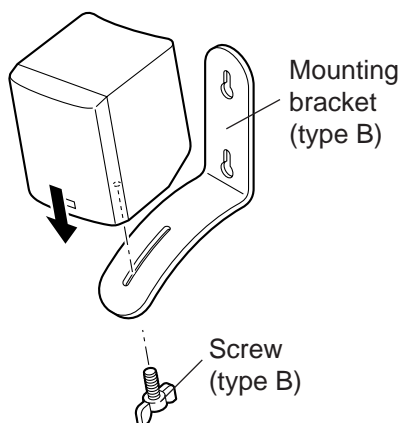
Place the front speakers on a rack or on a shelf, so that they are stabilized.

To obtain more stability and usefulness, we recommend that you mount the speakers on the provided mounting brackets (type A).

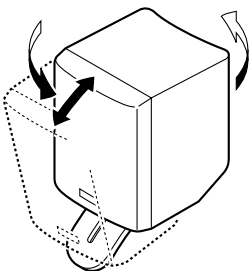
To mount speakers on the mounting brackets (type A)

- 1 Attach the bracket to the bottom of the speaker using the provided screw (type A).
- 2 Turn and/or slide the speaker on the bracket to the desired position, and then tighten the screw.

1



2



■ Mounting the rear speakers

Mount the rear speakers on a shelf, rack or put them directly on the floor, or hang them on the wall.

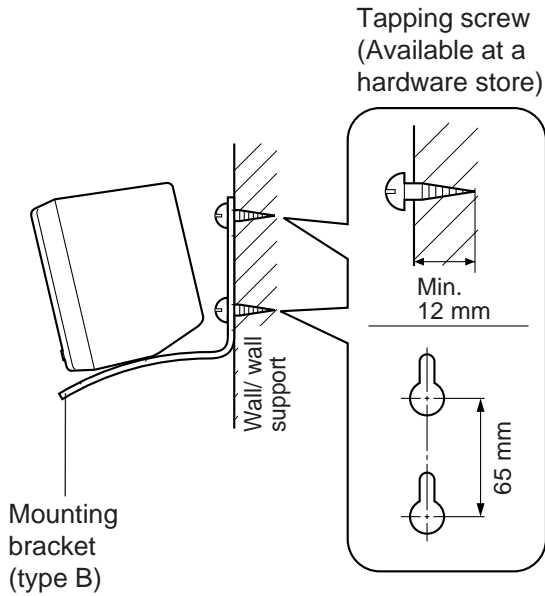
To mount the rear speakers on a wall using the provided mounting brackets (type B)

Note

It is recommended that you connect the speaker cords to the speaker's terminals before attaching the bracket to the speaker.

- 1 Attach the bracket to the bottom of the speaker using the provided screw (type B).
- 2 Turn and/or slide the speaker on the bracket to the desired position, and then tighten the screw.

3



- 3 Fasten the screws into a firm wall or wall support as shown in the figure, and hang the holes of the mounting bracket on the protruding screws.
 - * Make sure that the screws are held firmly in the holes.

Note

If desired, you can hang the speaker on the protruding screws on the wall without using the bracket.

WARNING:

- Each speaker weighs 0.7 kg (1 lbs. 9 oz.). Do not mount them on thin plywood or a soft wall surface material, as the screws may come out of the flimsy surface, causing the speakers to fall down and be damaged, or cause personal injury.
- Do not fasten the speakers to the wall with nails, adhesives, or other unstable hardware. Long-term use and vibrations may cause them to fall down.
- To avoid accidents resulting from tripping over loose speaker cords, fix them to the wall.
- Select a proper position on the wall to mount the speaker and the bracket so that no one will hit his head or face on the protruding part of the bracket and be injured.

■ Mounting the speaker on a commercially available speaker stand

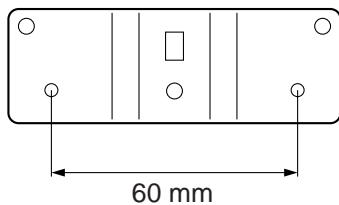
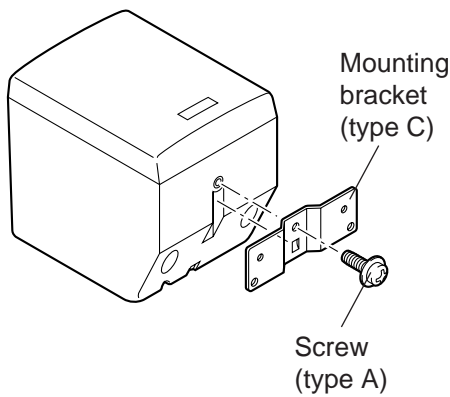
The provided mounting bracket (type C) has one pair of screw holes (spaced 60 mm apart) available to mount the speaker on a speaker stand.

* These screw holes use only M4 screws.

- 1 Attach the bracket to the bottom of the speaker using the provided screw (type A) so that the convex part of the bracket fits in the grooved part on the bottom of the speaker as shown on the left.
- 2 Mount the speaker on the speaker stand using the screw holes on the bracket.

Note

Mounting brackets (type C) are provided for each speaker (4).



CONNECTIONS

When you have finished placing or installing all units in this system, begin making connections by following the instructions in this section.

This system requires three connections: system connection, speaker connection and AC supply connection. However, the order of these connections is not important.

Never plug the AC supply lead of this system into the outlet until all connections are completed.

■ Making a system connection between the center speaker (NX-AVS7) and the power amplifier/subwoofer (SW-AVS7)

1 Connect the SYSTEM CONNECTOR terminals on both units with each other using the provided system connector cable.

* When connecting the system connector cable to both terminals, note the directions of each SYSTEM CONNECTOR terminal's face.

2 Connect the AUDIO OUTPUT terminals on the TV to the INPUT1 terminals on the SW-AVS7 using the provided connection cord.

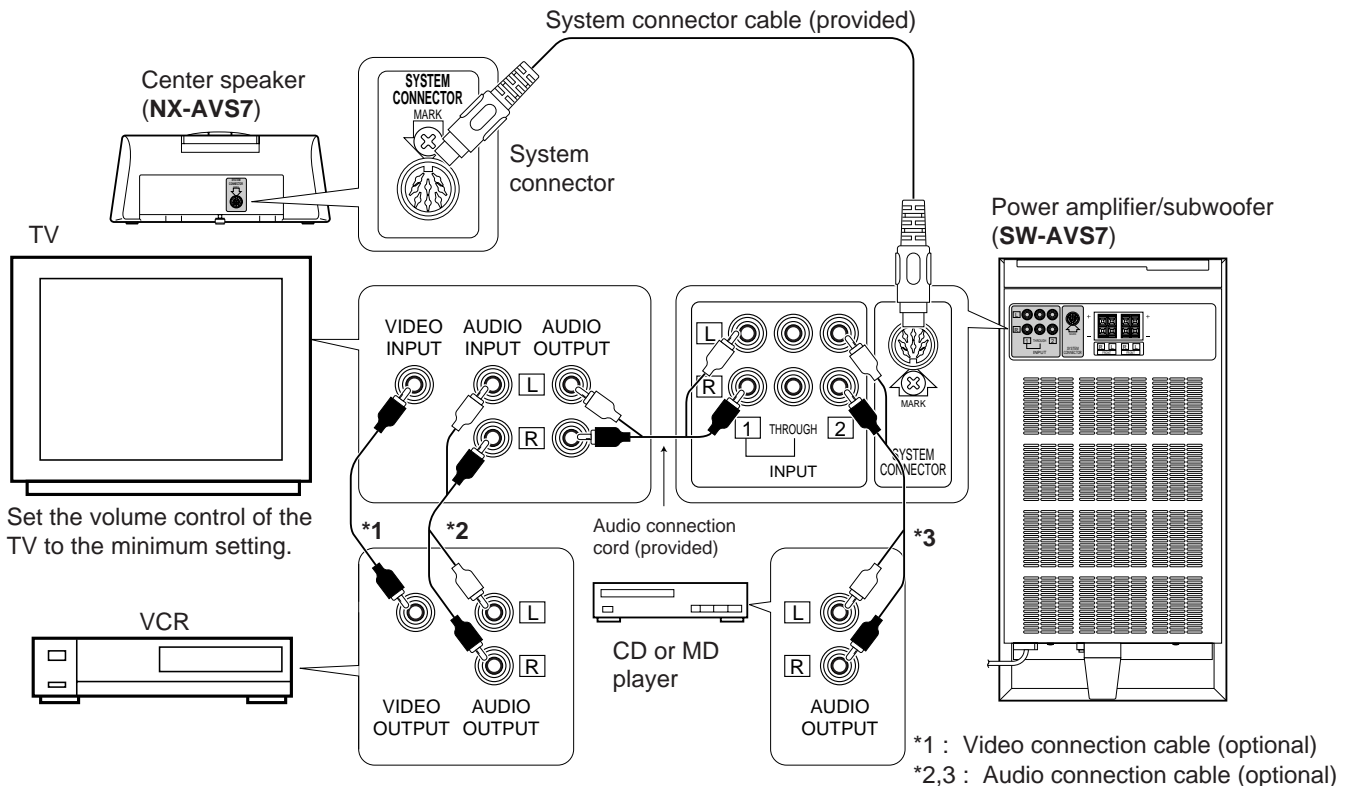
* Be sure to connect the red plug of the connection cord to the "R" (right) terminal and the white plug to the "L" (left) terminal.

3 Connect the INPUT 2 terminals to the AUDIO output terminals of a CD, MD, laser disc player or DVD player.

Caution

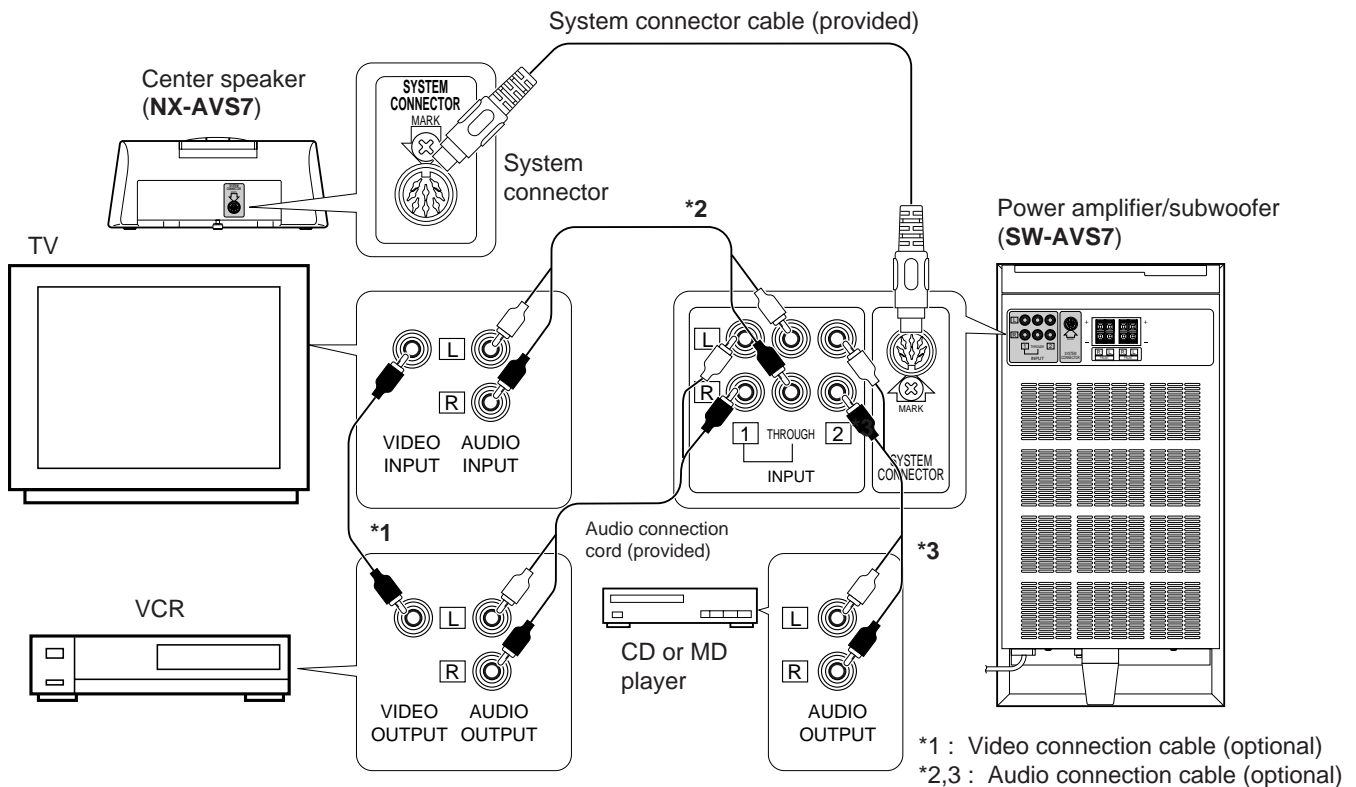
Be careful not to damage the **system connector cable** by placing something heavy on the cable, putting metal fittings on the cable, or tugging the cable. Damaging the cable may cause the system to break down.

Connection to a TV with an AUDIO OUT terminal



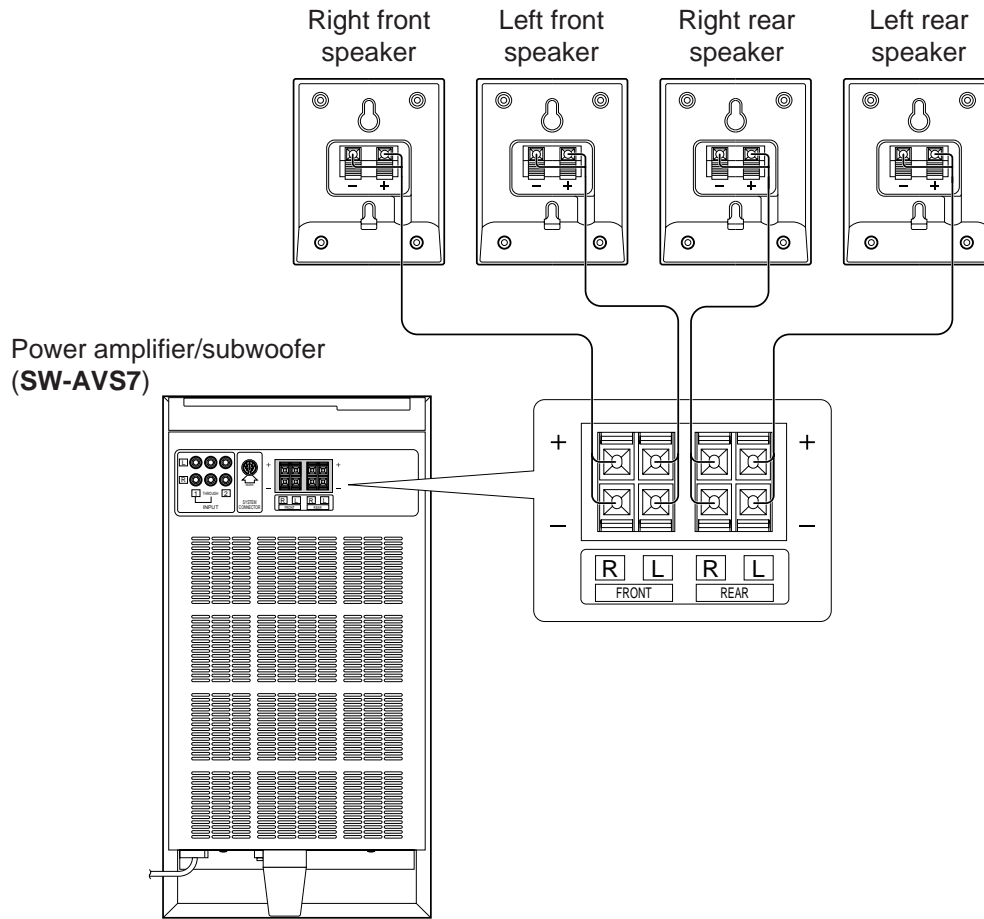
Connection to a TV without an AUDIO OUT terminal

- 1** Connect the SYSTEM CONNECTOR (Refer to page 12).
- 2** Connect the AUDIO OUTPUT terminals on the VCR to the INPUT1 terminals on the SW-AVS7.
- 3** Connect the THROUGH terminals of INPUT 1 to the AUDIO INPUT terminals on the TV using connector cable (optional).
 - * A signal is applied to INPUT 1 at the THROUGH terminals only when the AV-S7 is off.
- 4** Connect the INPUT 2 terminals (Refer to page 12).



- If the AV-S7 system is set to STANDBY or the turned off, the signal applied to INPUT 1 is sent to the THROUGH terminal of INPUT 1.
- Use the volume control of the TV when playing back sound from the TV or VCR without using the AV-S7.

■ Connecting the speakers to the power amplifier/subwoofer (SW-AVS7)

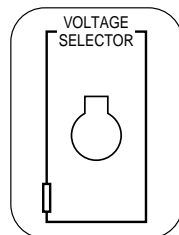


■ Connecting the AC supply lead

- After completing all connections, plug the AC supply lead into a convenient outlet.
- Unplug the AC supply lead from the outlet if this system is not to be used for a long period of time.

VOLTAGE SELECTOR

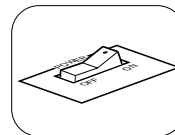
For General and China models only
 The voltage selector on the bottom of the power amplifier/subwoofer (SW-AVS7) must be set for your local main voltage BEFORE plugging it into the AC main supply.
 Voltages are 110/120/220/240V AC, 50/60 Hz.



To outlet

MAIN POWER switch

For U.K. and Europe models only
 Setting this to ON switches the AV-S7 system to **STANDBY** mode. To start the system, press the **STANDBY/ON** button on the center speaker or the **POWER** button on the remote control transmitter.



Connect the provided speakers to the SPEAKERS terminals on the rear of the SW-AVS7.

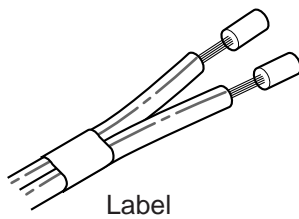
All of the speakers are identical.

The speakers connected to the FRONT R and L terminals should be used as the right and left front speakers.

The speakers connected to the REAR R and L terminals should be used as the right and left rear speakers.

Notes

- Do not connect speakers to the SW-AVS7 other than the provided ones.
- Use the provided speaker cords for the connections. Normally, use the short cords to connect to the front speakers, and use the long ones to connect to the rear speakers. The four cords are marked FRONT L, FRONT R, REAR L and REAR R for your reference.



How to Connect:

Connect the provided speaker cords between the SPEAKERS terminals on the power amplifier/subwoofer (SW-AVS7) and the speaker terminals on each speaker as shown below. If the connections are incorrect, no sound will be heard from the speakers. Make sure that the polarity of the speaker wires is correct with reference to the + and – markings. If these wires are reversed, the sound will be unnatural and lack bass.

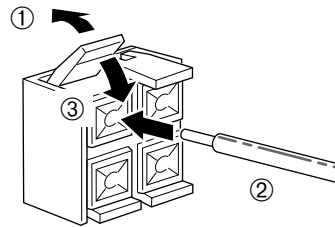
To avoid mistakes, connect the wire with a line to the + terminals on both the power amplifier/subwoofer (SW-AVS7) and speaker, and connect the wire with no line to the – terminals on both of them.

Caution

Do not let the bare speaker wires touch each other as this could damage the SW-AVS7 and/or the speakers.

On the SW-AVS7:

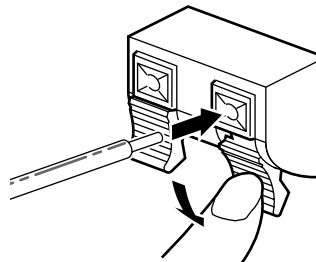
Red: positive (+)
Black: negative (–)



- ① Lift up the tab.
- ② Insert the bare wire. [Remove approx. 5mm (1/4") insulation from the speaker wires.]
- ③ Press down the tab and secure the wire.

On the FRONT and REAR speakers (NX-AV1):

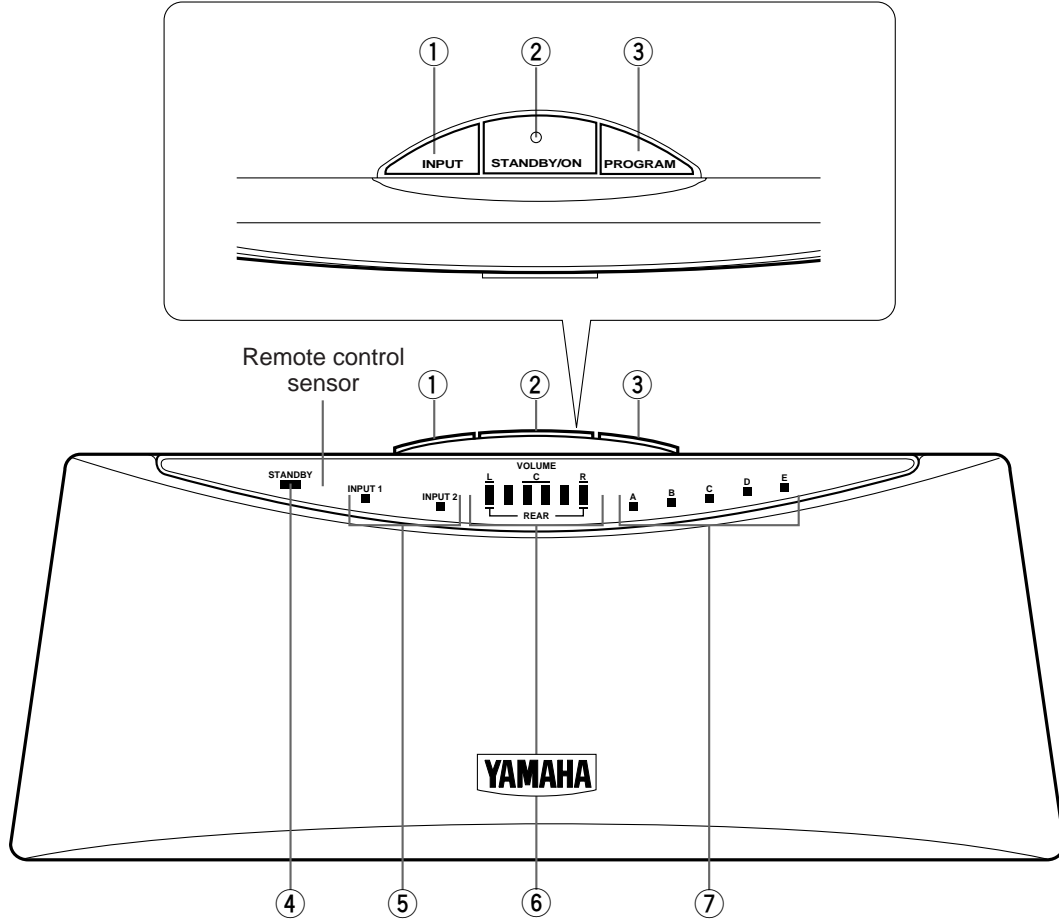
Red: positive (+)
Black: negative (–)



- ① Press the tab.
- ② Insert the bare wire. [Remove approx. 5mm (1/4") insulation from the speaker wires.]
- ③ Release the tab and secure the wire.

CONTROLS AND THEIR FUNCTIONS

CENTER SPEAKER (WITH CONTROL UNIT)



① INPUT selector button

This button switches between INPUT 1 and INPUT 2 each time it is pressed. Check the INPUT 1/2 indicator ⑤ to see which is in use.

② STANDBY/ON (Switch) button

This button switches between power-on and standby each time it is pressed. When standby mode is activated, the STANDBY indicator ④ lights up. When the power-on is activated, the STANDBY indicator ④ is off. You can tell that the power is on since the INPUT 1/2 indicator ⑤ and other indicators are lit up.

Standby mode

In this state, this unit consumes a very small quantity of power to receive infrared signals from the remote control transmitter.

③ PROGRAM selector button

This button is used for selecting the DSP program. The selections cycle through A→B→C→D→E→OFF→A when pressed.

- A: Dolby Pro Logic Enhanced
- B: Dolby Pro Logic
- C: Concert

D: Sports

E: Mono Movie

Check the PROGRAM indicator ⑦ when making the selection.

④ STANDBY indicator

This indicator lights up when in standby mode.

⑤ INPUT 1/2 indicators

These indicators light up to show whether INPUT 1 or 2 is selected.

⑥ VOLUME indicators

These indicators light up according to the setting of the VOLUME buttons ⑨ on the remote control transmitter.

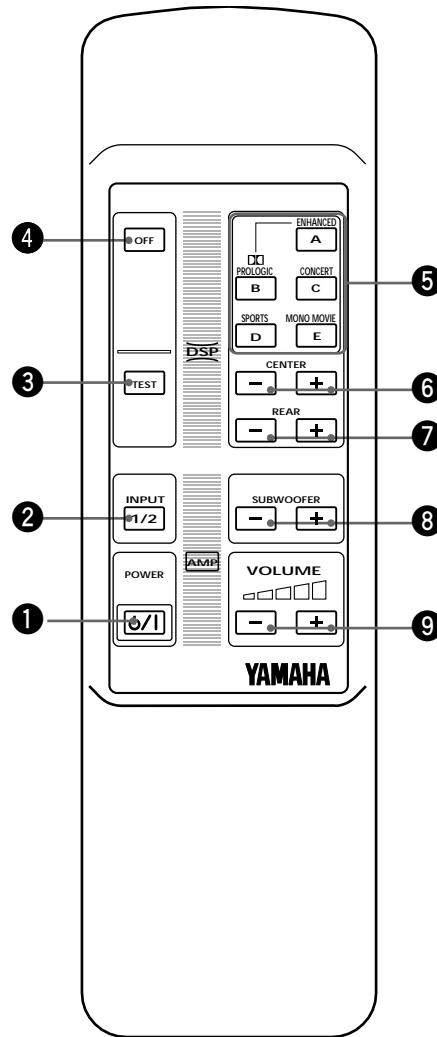
⑦ PROGRAM indicators

These indicators light up to show the selected DSP program.

Remote control sensor

The sensor is a window for receiving the signal from the remote control transmitter.

REMOTE CONTROL TRANSMITTER



1 POWER button

This button turns on the power to this system and switches this system to standby mode alternately.

2 INPUT selector button

This button switches between INPUT 1 and INPUT 2 each time it is pressed. Check the INPUT 1/2 indicator ⑤ of the center speaker to see which is activated.

3 TEST button

This button is used for speaker balance adjustment. (For details, refer to page 19.)

4 DSP OFF button

This button switches off the digital sound field processor (including the Dolby Pro Logic Surround decoder).

5 PROGRAM selector buttons

These buttons are used for selecting the DSP program.
 A: Dolby Pro Logic Enhanced
 B: Dolby Pro Logic

C: Concert

D: Sports

E: Mono Movie

Check the PROGRAM indicators ⑦ of the center speaker when making the selection.

6 CENTER level (+/-) buttons

Pressing the “+” button raises and pressing the “-” button lowers the volume level of the center speaker.

7 REAR level (+/-) buttons

Pressing the “+” button raises and pressing the “-” button lowers the volume level of the rear speakers.

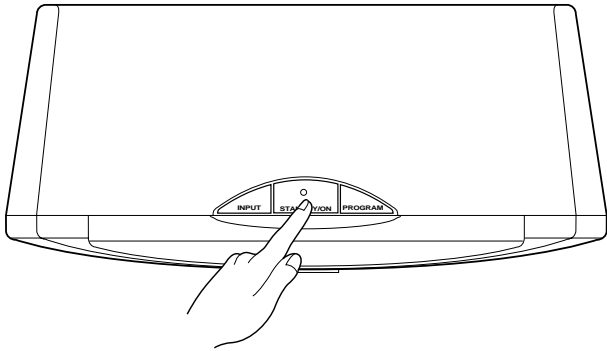
8 SUBWOOFER level (+/-) buttons

Pressing the “+” button raises and pressing the “-” button lowers the volume level of the subwoofer.

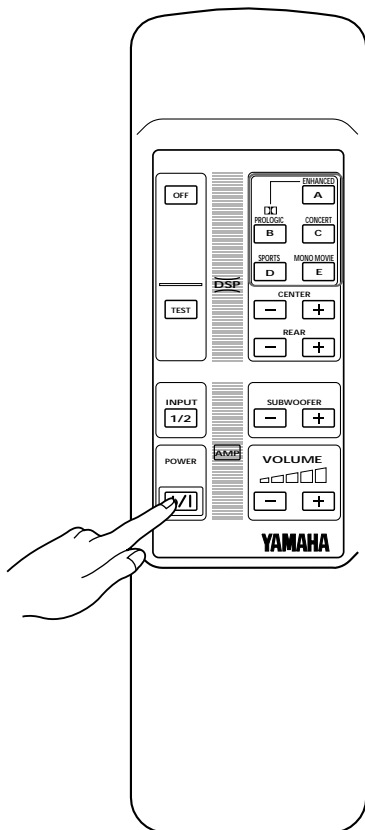
9 VOLUME (+/-) buttons

Pressing the “+” button raises and pressing the “-” button lowers the volume of the whole system.

TURNING ON THE POWER TO THIS SYSTEM OR SETTING IT TO THE STANDBY MODE



If the AC supply lead is connected to an outlet, this system can be turned on or switched to the standby mode by pressing the **STANDBY/ON** button on the front panel of the center speaker or the **POWER** button on the remote control transmitter.

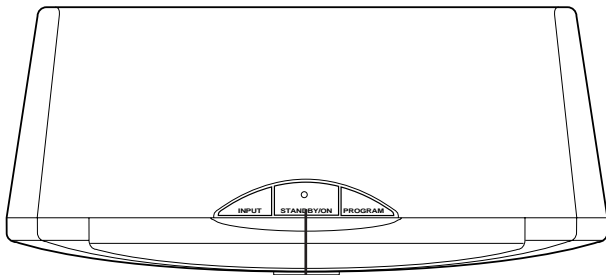


Standby mode

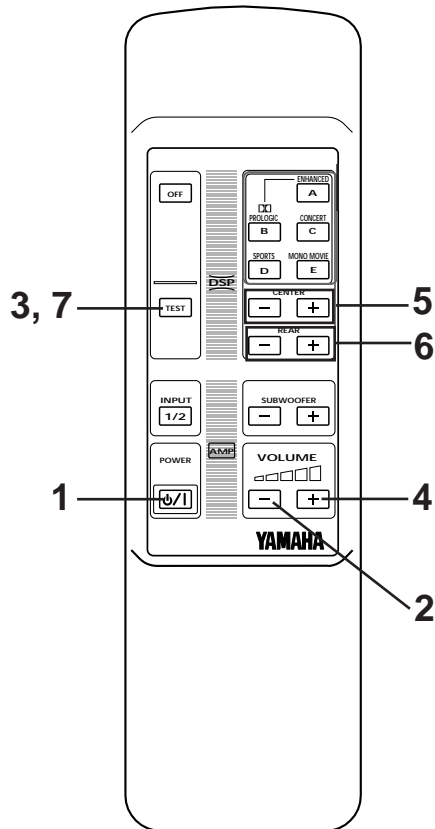
While the power is on, pressing the **STANDBY/ON** button (or the **POWER** button on the remote control transmitter) switches the system to standby mode. In this mode, the main voltage still flows through the system. If you want to turn off the system completely, remove the AC power plug from the outlet.

Note: When the power is turned on by pressing the **STANDBY/ON** button (or the **POWER** button on the remote control transmitter), the volume indicator flashes and no sound is emitted from the speakers for several seconds.

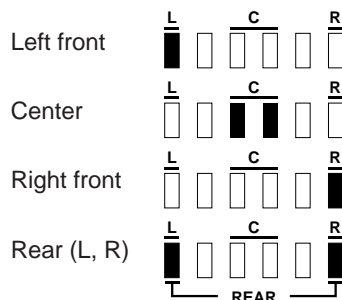
SPEAKER BALANCE ADJUSTMENT



1



The test tone is emitted.
The indicators shown in the figure blink.



This procedure lets you adjust the sound balance between the front, center, and rear speakers using the built-in test tone generator. When this adjustment is performed, the sound output level heard at the listening position will be the same from each speaker. This is important for the best performance of the built-in Dolby Pro Logic surround decoder.

The adjustment of each speaker output level should be done at your listening position with the remote control transmitter. Otherwise, the result may not be satisfactory.

- 1 Press the **STANDBY/ON** button (or the **POWER** button on the remote control transmitter) to turn the power on.
- 2 Press the **VOLUME “-”** button to reduce the volume to minimum.
- 3 Press the **TEST** button. Make sure that B of the **PROGRAM** indicators light up.
- 4 Press the **VOLUME “+”** button to increase the volume.

- You will hear a test tone from the left front speaker, the center speaker, the right front speaker, and then the rear speakers, for about two seconds each.
- The test tone from the left rear speaker and the right rear speaker will be heard at the same time.

- 5 Press the **CENTER** level (+/-) buttons to adjust the volume of the center speaker to the same level as the front speakers.
Be sure to always press the **CENTER** level buttons while a test tone is being emitted from the center speaker.
- 6 Press the **REAR** level (+/-) buttons to adjust the volume of the rear speakers to the same level as the front speakers.
Be sure to always press the **REAR** level buttons while a test tone is being emitted from the rear speakers.
- 7 When all the speakers are adjusted, press the **TEST** button to stop the test signal.

Note

Once each speaker is adjusted, the system volume can be adjusted to the desired level using the **VOLUME (+/-)** buttons on the remote control transmitter.

USING THE AV-S7

This system incorporates a sophisticated, multi-program digital sound field processor. The processor allows you to electronically expand and change the shape of the audio sound field from both audio and video sources, creating a theater-like experience in your listening room. You can create an excellent audio sound field by selecting a suitable sound field program (this will, of course, depend on what you will be listening to) and adding desired adjustments.

In addition, this unit incorporates a Dolby Pro Logic Surround decoder for multi-channel sound reproduction of sources encoded with Dolby Surround. The operation of the Dolby Pro Logic Surround decoder can be controlled by selecting the DSP program, **PRO LOGIC** or **PRO LOGIC ENHANCED**.

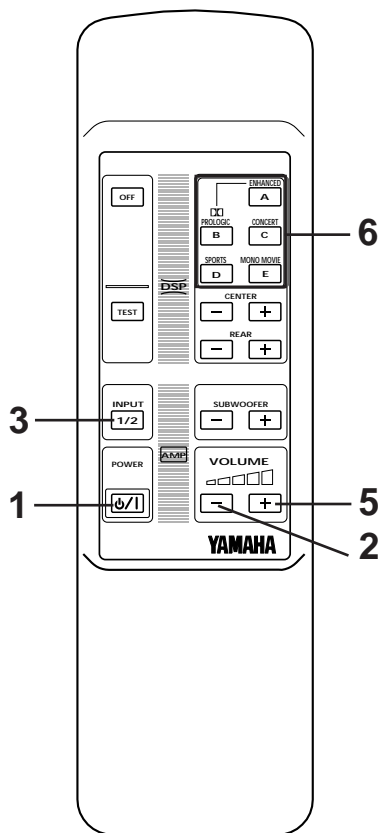
Brief Overview of Digital Sound Field Programs

The following list gives you a brief description of the sound fields produced by each DSP program. Keep in mind that most of these are precise digital recreations of actual acoustic environments. The data for these sound fields was recorded at actual locations using sophisticated sound field measurement equipment.

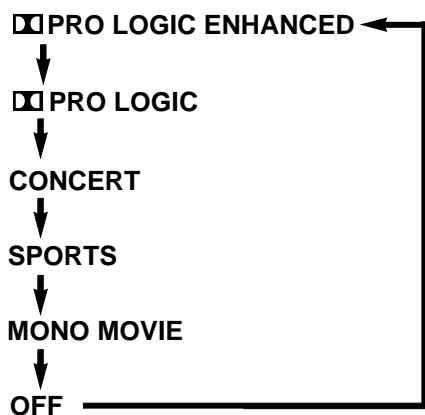
Note

The channel level balance between the left and right rear effect speakers may vary depending on the sound field you are listening to. This is because most of these sound field recreations are actual acoustic environments.

PROGRAM	FEATURE
PRO LOGIC ENHANCED	This program is used for playing of sources encoded with Dolby Surround. Enhancing the "Normal" Dolby Pro Logic, the DSP technology simulates the multi-surround speaker systems of a 35 mm movie theater. This effect creates a wide surround sound field, and expands the sound stage with an improved presence image. This program is used for musical based movies, as well as drama and comedy based movies.
PRO LOGIC	This program is also used for playing of sources encoded with Dolby Surround. The application of a sophisticated digital signal processing system reduces crosstalk and directs or steers the sound source more smoothly and precisely, as compared to conventional types.
CONCERT	This program is effective for music videos and gives excellent depth and clarity for vocals. For opera, the orchestra and stage are ideally recreated, making you feel as if you were in an actual concert hall.
SPORTS	This program is ideal for enjoying sports programs which take place in arenas, indoor stadiums, or other venues.
MONO MOVIE	This program is designed specifically to enhance mono source programs. Compared to a strictly mono setting, the sound image created in this mode is wider and slightly forward of the speaker pair, lending an immediacy to the overall sound. It is particularly effective when used with old mono movies, news broadcasts and dialog.



Press the PROGRAM selector button on the center speaker to select the programs shown below.

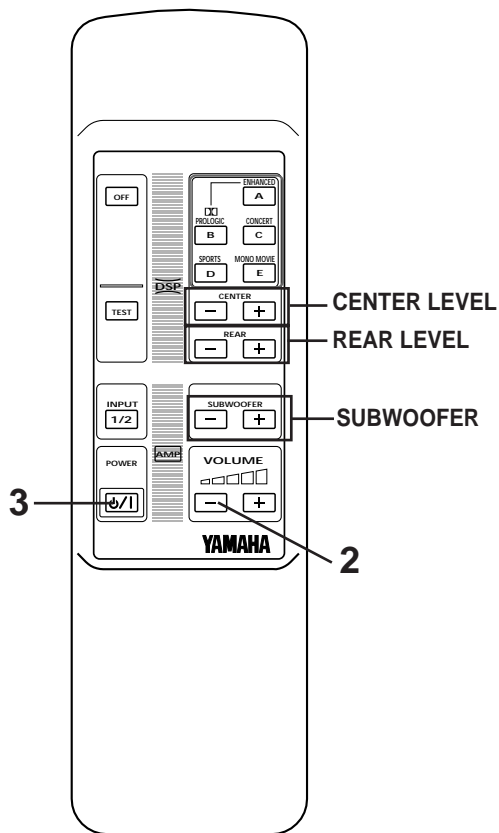
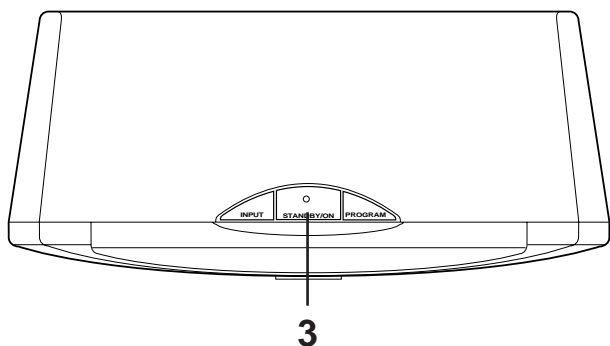


Listening to a source with sound effects by digital sound field processing (including Dolby Pro Logic Surround decoding)

- 1 Press the **POWER** button.
When the system is turned on, the **STANDBY** indicator turns off, and **INPUT** indicator 1 or 2 lights up.
- 2 Press the **VOLUME** “-” button to lower the volume.
- 3 Use the **INPUT** selector button to select the listening source.
INPUT 1: For playing a TV or VCR
INPUT 2: For playing audio signals from a CD player or MD player connected to INPUT 2
- 4 Play the source.
- 5 Press the **VOLUME** “+” button to adjust the volume to the desired level.
- 6 Use the **PROGRAM** selector button to select the DSP program (A, B, C, D, or E) matching the play source.
 - * The **PROGRAM** selector button on the center speaker cycles through A→B→C→D→E→OFF→A when pressed.
 - * Check the program settings at the **PROGRAM** indicator.
- 7 The volume for all speakers can be adjusted simultaneously with the **VOLUME** button.

Notes

- Program selection can be made for individual input sources. Once you select a program, it is linked with the input source selected at that time. So, when you select the input source next time, the same program is automatically called.
- If you prefer to cancel the DSP, press the **DSP OFF** button. The sound will be the normal 2-channel stereo without the surround sound effect.
- When **CONCERT**, **SPORTS** or **MONO MOVIE** is selected, no sound is heard from the center speaker.
- When a monaural sound source is played with **DOLBY PRO LOGIC** or **DOLBY PRO LOGIC ENHANCED**, sound is heard from the center speaker and subwoofer.
- If the AV-S7 system is set to **STANDBY** or turned off, the signal applied to **INPUT 1** is sent to the **THROUGH** terminals of **INPUT 1**.



Adjusting the center speaker volume

If desired, you can adjust the volume level of the center speaker even if the volume is already set in “SPEAKER BALANCE ADJUSTMENT” on page 19.

By continuously pressing the **CENTER** (+ or –) button, the volume value changes continuously.

Notes

- This adjustment can be made only when the digital sound field program **DOLBY PRO LOGIC** or **DOLBY PRO LOGIC ENHANCED** is selected.
- Once the volume level is adjusted, the volume value will be the same in all the digital sound field programs mentioned above.

Adjusting the rear speaker volume

If desired, you can adjust the volume level of the rear speakers even if the volume is already set in “SPEAKER BALANCE ADJUSTMENT” on page 19.

By continuously pressing the **REAR** level (+ or –) button, the volume value changes continuously.

Notes

- This adjustment can be made only when the built-in digital sound field processor is on.
- Once the volume level is adjusted, the volume value will be the same in all the digital sound field programs.

Adjusting the subwoofer output volume

Adjust the subwoofer output volume to the desired level by pressing the **SUBWOOFER** level (+ or –) button.

If you feel that the bass tone is insufficient, increase the volume, or if you feel it is overly emphasized, reduce the volume.

To finish listening to a source

- 1 Stop playing a source.
- 2 Press the **VOLUME** “–” button to decrease the volume to the minimum.
- 3 Press the **STANDBY/ON** button (or the **POWER** button on the remote control transmitter) to switch the system to standby mode.

TROUBLESHOOTING

If your unit fails to operate normally, check the following points to determine whether the fault can be corrected by the simple measures suggested. If it cannot, or if the fault is not listed in the SYMPTOM column, unplug the power cord and contact your authorized YAMAHA dealer or service center for help.

	SYMPTOM	CAUSE	REMEDY
GENERAL	The system does not turn on even when the STANDBY/ON button (or the POWER button on the remote control transmitter) is pressed.	The power cord is not connected.	Connect the power cord.
		(U.K. and Europe models) The MAIN POWER switch is set to OFF.	Set the MAIN POWER switch to ON.
	This unit will not operate properly.	The internal microcomputer has been frozen by an external electric shock (lightning, excessive static electricity, etc.) or a low-voltage power supply .	Unplug the AC supply lead from the wall outlet, and then plug it in again after about one minute.
	No sound from a speaker.	Loose speaker connections.	Connect properly.
	No sound from speakers.	Internal protection circuit is functioning.	Unplug the AC supply lead from the wall outlet, and then plug it in again.
	No sound from the rear speakers.	One rear speaker connection is loose or bad.	Connect it properly.
		The volume level of the rear speakers is set to minimum.	Raise the volume level of the rear speakers.
		No DSP program is selected.	Select the appropriate program.
	No sound from the center speaker.	The volume level of the center speaker is set to minimum.	Raise the volume level of the center speaker.
		Incorrect DSP program selection. No DSP program is selected.	Select the appropriate program.
	No sound from an external unit connected with this system.	Incorrect cord connections.	Connect the cords correctly. If the problem persists, the cords may be defective.
		Input source selection is not correct.	Make a proper input source selection.
REMOTE CONTROL	The remote control transmitter does not work.	Batteries are dead.	Replace batteries.
		Remote control transmitter is too far away or is being used at an incorrect angle.	Use within 6 m and 60° of the sensor.
		Direct sunlight or lighting (an inverter type fluorescent lamp) is striking the remote control sensor of the center speaker.	Change the position of the center speaker.

SPECIFICATIONS

As a part of its policy of continued product improvement, YAMAHA reserves the right to make design and specification changes without prior notice. The performance specification figures indicated are the nominal values for production units.

■ Amplifier Section

Minimum RMS Output Power per Channel

Front L, R

6 ohms, 1 kHz, 10% THD	30W+30W
6 ohms, 1 kHz, 0.9% THD	25W+25W

Center

6 ohms, 1 kHz, 10% THD	30W
6 ohms, 1 kHz, 0.9% THD	25W

Rear L, R

6 ohms, 1 kHz, 10% THD	30W+30W
6 ohms, 1 kHz, 0.9% THD	25W+25W

Subwoofer

4 ohms, 100 Hz, 10% THD	50W
4 ohms, 100 Hz, 0.9% THD	40W

DIN Standard Output Power per Channel

[Europe model only]

6 ohms, 1 kHz, 1% THD	25W
-----------------------------	-----

IEC Power [Europe model only]

6 ohms, 1 kHz, 0.1% THD	20W
-------------------------------	-----

Input Sensitivity/Impedance

INPUT 1	100 mV/20 k-ohms
---------------	------------------

Total Harmonic Distortion (1 kHz)

INPUT 1 (12.5W/6 ohms).....	0.08%
-----------------------------	-------

Signal-to-Noise Ratio (IHF-A Network)

INPUT 1	85 dB
---------------	-------

■ Speaker Section

Type

Front, Rear, Center	1-Way, 1-Speaker, Acoustic-Suspension Type (Magnetically-Shielded Type)
---------------------------	---

Subwoofer	Active Servo Processing Speaker System (Magnetically-Shielded Type)
-----------------	---

Speakers

Front, Rear	8 cm (3-1/8")
Center	8 cm (3-1/8")
Subwoofer	20 cm (8")

Maximum Power Handling Capacity

Front, Rear.....	40W (15.5V)
Center	40W (15.5V)
Subwoofer	60W (15.5V)

Impedance

Front, Rear	6 ohms
Center	6 ohms
Subwoofer.....	4 ohms

■ General

Power Supply

[U.S.A. and Canada models]	AC 120V, 60 Hz
[U.K. and Europe models]	AC 230V, 50 Hz
[Australia model]	AC 240V, 50 Hz
[General and China models]	AC 110/120/220/240V, 60/50 Hz

Power consumption	155W
-------------------------	------

Dimensions (W x H x D)

SW-AVS7	250 (W) x 425 (H) x 418 (D) mm (9-13/16" x 16-3/4" x 16-7/16")
NX-AVS7	280 (W) x 117 (H) x 125 (D) mm (11" x 4-10/16" x 4-14/16")
NX-AV1	94 (W) x 117 (H) x 108 (D) mm (3-11/16" x 4-10/16" x 4-1/4")

Weight

SW-AVS7	14.5 kg (31 lbs. 15 oz.)
NX-AVS7	1.3 kg (2 lbs. 14 oz.)
NX-AV1	0.7 kg (1 lbs. 9 oz.)

CARACTERISTIQUES TECHNIQUES

YAMAHA se réserve le droit d'apporter des modifications sans préavis à la présentation et aux caractéristiques des appareils à fin d'amélioration. Les valeurs indiquées dans ce document sont les valeurs nominales des appareils de série.

■ Amplificateur

Puissance de sortie minimum RMS par canal

Enceinte avant G, D

6 ohms, 1 kHz, 10% de DHT30W+30W

6 ohms, 1 kHz, 0.9% de DHT25W+25W

Enceinte centrale

6 ohms, 1 kHz, 10% de DHT30W

6 ohms, 1 kHz, 0.9% de DHT25W

Enceinte arrière G, D

6 ohms, 1 kHz, 10% de DHT30W+30W

6 ohms, 1 kHz, 0.9% de DHT25W+25W

Subwoofer

4 ohms, 100 Hz, 10% de DHT50W

4 ohms, 100 Hz, 0.9% de DHT40W

Puissance de sortie standard DIN par canal

[Modèle pour l'Europe seulement]

6 ohms, 1 kHz, 1% de DHT25W

Puissance IEC [Modèle pour l'Europe seulement]

6 ohms, 1 kHz, 0,1% de DHT20W

Sensibilité d'entrée/impédance

INPUT 1100 mV/20 k-ohms

Distorsion harmonique totale (1 kHz)

INPUT 1 (12,5W/6 ohms)0,08%

Rapport signal/bruit (IHF réseau A)

INPUT 185 dB

■ Enceintes

Type

Enceintes avant, arrière, enceinte centrale

.....Type à suspension acoustique

à 1 voie, 1 enceinte

(Type blindage magnétique)

Subwoofer

.....Système d'enceinte à

traitement servo-actif

(Type blindage magnétique)

Enceintes

Enceintes avant, arrière8 cm

Enceinte centrale8 cm

Subwoofer20 cm

Puissance nominale maximale

Enceintes avant, arrière40W (15,5V)

Enceinte centrale40W (15,5V)

Subwoofer60W (15,5V)

Impédance

Enceintes avant, arrière6 ohms

Enceinte centrale6 ohms

Subwoofer4 ohms

■ Général

Alimentation

[Modèles pour les Etats-Unis et le Canada]

.....CA 120V, 60 Hz

[Modèles pour le Royaume-Uni et l'Europe]

.....CA 230V, 50 Hz

[Modèle pour l'Australie]CA 240V, 50 Hz

[Modèle général et Modèle pour la Chine]

.....CA 110/120/220/240V, 50/60 Hz

Consommation155W

Dimensions (L x H x P)

SW-AVS7250 x 425 x 418 mm

NX-AVS7280 x 117 x 125 mm

NX-AV194 x 117 x 108 mm

Poids

SW-AVS714,5 kg

NX-AVS71,3 kg

NX-AV10,7 kg