

YAMAHA

GUITAR EFFECT PROCESSOR

FX770

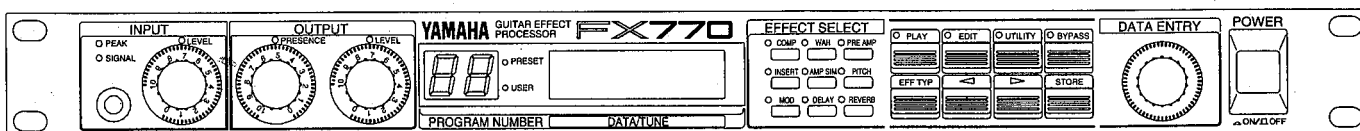
OWNER'S MANUAL
MANUEL D'UTILISATION
BEDIENUNGSANLEITUNG

About the Author...

This manual has been written by Brian C. Swerdfeger, a member of the FX770 development team.

Brian C. Swerdfeger knows guitarists and their gear. With experience as a professional guitarist himself, Brian's quest for "great tone" started on-stage at Disneyland. Later, he opened his own guitar store that specialized in custom guitars and professional guitar rack systems. As his reputation grew, Brian's design services were being requested by famous top professionals and by the companies that create and manufacture the best guitar equipment available today. In the last few years he has designed, constructed, and programmed complete guitar systems for dozens of Top-10 major label artists in all genres of music: from Metal to Jazz, Pop to Country, and even several "Classic Rock" guitar heroes. In addition to these credits, Brian also serves as a clinician and advisor to Yamaha.

Currently, Brian's company Contempo Music & Media, produces owner's manuals and multimedia training materials. He also continues to design and program custom guitar systems. Known for his casual and personal style, guitarists everywhere can understand and relate to Brian, and because of his experience and expertise, Brian can relate to them.



FCC INFORMATION (U.S.A.)

1. IMPORTANT NOTICE: DO NOT MODIFY THIS UNIT!

This product, when installed as indicated in the instructions contained in this manual, meets FCC requirements. Modifications not expressly approved by Yamaha may void your authority, granted by the FCC, to use the product.

2. IMPORTANT: When connecting this product to accessories and/or another product use only high quality shielded cables. Cable/s supplied with this product MUST be used. Follow all installation instructions. Failure to follow instructions could void your FCC authorization to use this product in the USA.

3. NOTE: This product has been tested and found to comply with the requirements listed in FCC Regulations, Part 15 for Class "B" digital devices. Compliance with these requirements provides a reasonable level of assurance that your use of this product in a residential environment will not result in harmful interference with other electronic devices. This equipment generates/uses radio frequencies and, if not installed and used according to the instructions found in the users manual, may cause interference harmful to the operation of other electronic devices. Compliance with FCC regulations does not guarantee that interference will not occur in all installations. If this product is found to be the source of interference, which can be determined by turning the unit "OFF" and "ON", please try to eliminate the problem by using one of the following measures:

Relocate either this product or the device that is being affected by the interference

Utilize power outlets that are on different branch (circuit breaker or fuse) circuits or install AC line filter/s.

In the case of radio or TV interference, relocate/reorient the antenna. If the antenna lead-in is 300 ohm ribbon lead, change the lead-in to coaxial type cable.

If these corrective measures do not produce satisfactory results, please contact the local retailer authorized to distribute this type of product. If you can not locate the appropriate retailer, please contact Yamaha Corporation of America, Electronic Service Division, 6600 Orangethorpe Ave, Buena Park, CA 90620

* This applies only to products distributed by YAMAHA CORPORATION OF AMERICA

Dette apparat overholder det gældende EF-direktiv vedrørende radiostøj.

Cet appareil est conforme aux prescriptions de la directive communautaire 87/308/CEE.

Diese Geräte entsprechen der EG-Richtlinie 82/499/EWG und/oder 87/308/EWG.

This product complies with the radio frequency interference requirements of the Council Directive 82/499/EEC and/or 87/308/EEC.

Questo apparecchio è conforme al D.M.13 aprile 1989 (Direttiva CEE/87/308) sulla soppressione dei radiodisturbi.

Este producto está de acuerdo con los requisitos sobre interferencias de radio frecuencia fijados por el Consejo Directivo 87/308/CEE.

YAMAHA CORPORATION

CANADA

THIS DIGITAL APPARATUS DOES NOT EXCEED THE "CLASS B" LIMITS FOR RADIO NOISE EMISSIONS FROM DIGITAL APPARATUS SET OUT IN THE RADIO INTERFERENCE REGULATION OF THE CANADIAN DEPARTMENT OF COMMUNICATIONS.

LE PRESENT APPAREIL NUMERIQUE N'EMET PAS DE BRUITS RADIOELECTRIQUES DEPASSANT LES LIMITES APPLICABLES AUX APPAREILS NUMERIQUES DE LA "CLASSE B" PRESCRITES DANS LE REGLEMENT SUR LE BROUILLAGE RADIOELECTRIQUE EDICTE PAR LE MINISTERE DES COMMUNICATIONS DU CANADA.

* This applies only to products distributed by YAMAHA CANADA MUSIC LTD.

Litiumbatteri!
Bör endast bytas av servicepersonal.
Explosionsfara vid felaktig hantering.

VAROITUS!
Lithiumparisto, Räjähdyksvaara.
Pariston saa vaihtaa ainoastaan alan ammattimies.

ADVARSEL!
Lithiumbatteri!
Ekspløsningsfare. Udskiftning må kun foretages af en sagkyndig, -og som beskrevet i servicemanualen.

IMPORTANT NOTICE FOR THE UNITED KINGDOM

Connecting the Plug and Cord

WARNING: THIS APPARATUS MUST BE EARTHED

IMPORTANT: The wires in this mains lead are coloured in accordance with the following code:

GREEN-AND-YELLOW : EARTH
BLUE : NEUTRAL
BROWN : LIVE

As the colours of the wires in the mains lead of this apparatus may not correspond with the coloured markings identifying the terminals in your plug, proceed as follows:

The wire which is coloured GREEN and YELLOW must be connected to the terminal in the plug which is marked by the letter E or by the safety earth symbol or coloured GREEN and YELLOW.

The wire which is coloured BLUE must be connected to the terminal which is marked with the letter N or coloured BLACK.

The wire which is coloured BROWN must be connected to the terminal which is marked with the letter L or coloured RED.

* This applies only to products distributed by YAMAHA KEMBLE MUSIC (U.K.) LTD.

WELCOME TO THE YAMAHA FX770

Dedication. Focusing your energy and strengths to achieve the best. As musicians we know that the more time and energy we dedicate to our instrument, the higher our abilities become and the greater our achievements.

Dedicated. The **Yamaha FX770** is specifically designed and dedicated for guitarists. Its sole purpose is to inspire you to be your best, to help you achieve new levels of creativity and performance excellence.

In the past, signal-processors were designed for many instruments and applications. In many cases, guitarists had to adapt a piece of gear that was actually designed for studio engineers or live sound reinforcement. The **Yamaha FX770** is a new breed of musical equipment, developed from the ground up as a signal processing tool that meets all of the desires, demands and dreams of today's guitar players. Without any concessions or compromises, the **Yamaha FX770** is the result of our dedication to you, the guitarist.

The **FX770** contains all of the essential ingredients required by today's top professionals. From input to final output, the **FX770** offers unparalleled flexibility and ease of use. The nine individual effect buttons and universal DATA Entry Wheel make programming fast and simple. Each element in the chain features complete parameter control and many elements offer multiple processing options. The **FX770** lets YOU decide how your guitar should sound. With 100 Preset Programs and 100 User Program locations, there's ample memory for a comprehensive tone library.

This User's Guide contains all of the information you'll need know to get all of the benefits from your **FX770**. Please read this manual thoroughly while trying out the many features and effects found in this product. The Quick Start Tutorial is designed to get you familiar with the **FX770**, with it's basic features and functions outlined in a fast and easy format. This section is for the "plug-in-and-play" part in all of us. The Reference Section offers complete and comprehensive information about every effect, feature and function, use this section as a reference for any question concerning your **FX770**. When you are through, please keep this manual in a safe place for later reference.

Like all endeavors, the time you dedicate to learning and perfecting your knowledge of the **FX770** will result in greater satisfaction and enjoyment of this product. After all, the **Yamaha FX770** is dedicated to you!

TABLE OF CONTENTS

Section 1: FX770 Features and Controls	3
1.1 FRONT PANEL LAYOUT AND IDENTIFICATION	4
1.2 REAR PANEL LAYOUT AND IDENTIFICATION ...	5
Section 2: Quick Start Tutorial	7
2.1 APPLICATIONS OVERVIEW	8
2.2 THE THREE OPERATING MODES OF THE FX770	9
2.3 PROGRAM CONFIGURATION	10
2.4 HOW TO CHANGE THE SOUND OF A PRESET PROGRAM	10
2.4.1 How to save an Edited Effect Program	11
2.5 HOW TO SELECT AND USE THE BUILT-IN TUNER	11
2.6 TIPS FOR GETTING THE MOST FROM YOUR FX770	12
2.6.1 Using External footswitches and Foot controllers	12
2.6.2 MIDI Control	12
2.6.3 Level Setting within the Effect Blocks	12
Section 3: The Play Mode	13
Main program display in the play mode	13
3.1 TO SELECT AND RECALL A PROGRAM	13
3.2 EFFECT BLOCK ON/OFF	13
3.3 BYPASS AND TUNER FUNCTIONS IN THE PLAY MODE	14
Section 4: The Edit Mode	15
EFFECT PARAMETER EDIT	15
SETTING OTHER FUNCTIONS	15
4.1 EFFECT PATCH CONFIGURATION (PATCH SELECT)	15
4.2 NOISE GATE	16
4.3 TITLE EDIT	16
4.4 VOLUME CONTROL POSITION	17
4.5 FS1 EFFECT ON/OFF	18
4.6 MIDI CONTROLLER 1 AND 2 EFFECT TARGETS	19
4.7 EFFECT COPY	20
4.8 EDITING THE EFFECTS PARAMETERS	21
Using the Bypass Key during Effect Editing	21
4.9 PROGRAM STORE	22
Section 5: The Utility Mode	23
5.1 MIDI PROGRAM CHANGE TABLE	23
5.2 SETTING THE MINIMUM VALUE FOR THE VOLUME CONTROL	24
5.3 FS1 FUNCTION	24
5.4 FS2 FUNCTION	25
5.5 MIDI CHANNEL	26
5.6 MIDI CONTROLLER 1 & 2 SOURCE ASSIGNMENT	26
5.7 MFC06 EFFECT ON/OFF CONTROL ASSIGNMENT	27
MFC06 effect on/off assign setting	27
5.8 MIDI BULK DATA OUTPUT	27
Section 6: Remote Control	28
6.1 REMOTE CONTROL FUNCTIONS	28
6.2 FOOT CONTROL FUNCTIONS	28
6.3 FOOT SWITCH FUNCTIONS	29
6.4 MIDI CONTROL	31
6.5 FX770 EXTERNAL CONTROL DIAGRAM	34
Section 7: Reference	35
7.1 EFFECT GROUP PARAMETERS	35
7.1.1 Compressor/Limiter	36
7.1.2 Wah Effects	37
7.1.3 Preamp	39
7.1.4 Insert point	41
7.1.5 Amp simulator	41
7.1.6 Pitch Effects	42
7.1.7 Modulation Effects (mod)	45
7.1.8 Delay	52
7.1.9 Reverb	61
7.2 PRESET PROGRAMS GUIDE	62
FX770 Preset Program List	62
7.3 PROGRAMMING TIPS	65
7.4 SPECIAL NOTE CONCERNING LEVELS	66
Section 8: MIDI DATA FORMAT	67
8.1 MIDI DATA FORMAT	67
TRANSMISSION FORMAT	67
RECEPTION FORMAT	68
NOTES	69
8.2 SPECIFICATIONS	70
8.3 BLOCK DIAGRAMS	71
8.4 DIMENSIONS	72
8.5 OPTIONAL ACCESSORIES	72
Troubleshooting	73
PROGRAM PARAMETER CHART	74

PRECAUTIONS

!! PLEASE READ THIS BEFORE PROCEEDING !!

1. AVOID EXCESSIVE HEAT, HUMIDITY, DUST AND VIBRATION

Keep the unit away from locations where it is likely to be exposed to high temperatures or humidity - such as near radiators, stoves, etc. Avoid mounting the unit above other devices that produce heat in an equipment rack or other enclosure. Leave a 1-U rack space between the FX770 and other devices to allow ventilation. An optional VP-1 ventilation panel is available from Yamaha.

Also avoid locations which are subject to excessive dust accumulation or vibration which could cause mechanical damage.

2. AVOID PHYSICAL SHOCKS

Strong physical shocks to the unit can cause damage. Handle it with care.

3. DO NOT OPEN THE CASE OR ATTEMPT REPAIRS OR MODIFICATIONS YOURSELF

This product contains no user-serviceable parts. Refer all maintenance to qualified Yamaha service personnel. Opening the case and/or tampering with the internal circuitry will void the warranty.

4. MAKE SURE POWER IS OFF BEFORE MAKING OR REMOVING CONNECTIONS

Always turn the power OFF prior to connecting or disconnecting cables.

5. HANDLE CABLES CAREFULLY

Always plug and unplug cables - including the AC cord - by gripping the connector, not the cord.

6. CLEAN WITH A SOFT DRY CLOTH

Never use solvents such as benzene or thinner to clean the unit. Wipe clean with a soft, dry cloth.

7. ALWAYS USE THE CORRECT POWER SUPPLY

Always use the correct AC voltage to power your FX770. Make sure that your FX770 is appropriate for the AC mains supply voltage in the area where you intend to use it (the correct supply voltage is marked on the rear panel, below the power cord).

8. ELECTRICAL INTERFERENCE

Since the FX770 contains digital circuitry, it may cause interference and noise if placed too close to TV sets, radios or similar equipment. If such a problem does occur, move the FX770 further away from the affected equipment.

9. MIDI CABLES

When connecting to FX770 to MIDI equipment, be sure to use high-quality cables made especially for MIDI data transmission. Avoid cables longer than about 15 meters. Longer cables can pick up electrical noise that may cause data errors.

10. MEMORY BACKUP

The FX770 contains a special long-life battery that retains the contents of its internal RAM memory even when the power is turned OFF. The backup battery should last for approximately 5 years. For permanent data backup, we recommend that you use a MIDI data recorder such as the Yamaha MDF2 MIDI Data Filer. When the battery voltage drops to a level that is too low to maintain the memory contents, the following message will appear on the FX770 display when the power is turned ON:

```
  ** WARNING **  
  LOW BATTERY
```

If this display appears, have the backup battery replaced by qualified Yamaha service personnel.
DO NOT ATTEMPT TO REPLACE THE BACKUP BATTERY YOURSELF!

11. ERROR NUMBERS

When the FX770 power is initially turned ON, a self-diagnostic program runs automatically to check a number of important operational parameters. If a problem is found, an error number ("E1" through "E4") will appear on the LED MEMORY display. If an error number appears, please take the FX770 to your nearest Yamaha dealer for servicing, and be sure to tell the service personnel which error number was displayed.

Section 1: FX770 Features and Controls

The Weight is Over!

The FX770 is here, and the days of the 24 space rack system weighing 300lbs are gone.

Previously, you had to have multiple preamp sources, five effect processors, switching system, and experience as a rocket scientist to wire and program the truck load of equipment needed just to get all of the features and functions of what's inside the Yamaha FX770.

And people said, "Someday you'll be able to do everything that mountain of gear will do, and it will all be in one rack-space," just wait."

The Wait is Over!

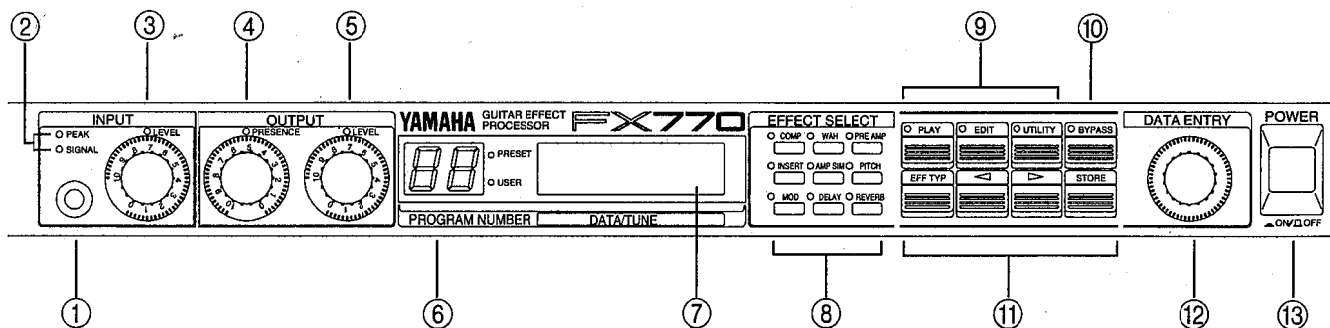
Welcome to the future of guitar, and to the world of the Yamaha FX770. With features and functions that in the past we could only dream about, the FX770 is full of the greatest effects ever created.

They include;

- Three types of compressor/limiter
- Three types of WAH with various control sources (pedal, input level, LFO, etc.)
- Seven digitally simulated preamp types for versatility and tube amp effect
- External effects loop with two selectable insert points
- Volume and WAH can be controlled by foot controller (FC7) or any connected volume pedal
- Principal parameters can be controlled in real time using MIDI Control Changes
- Amp simulator can reproduce the sound characteristics of various speakers
- Pitch Effects including Stereo Pitch Shift and Pitch Chorus
- Modulation Effects galore! Chorus, Flanger, Symphonic, Rotary Speaker, Panning, Tremolo, and the new Resonator
- Dazzling Delays: Mono Delay, Stereo Delay, Modulation Delay, Tempo Delay, Stereo Tempo Delay, Tempo Modulation Delay, Multi-Tap Delay and Ducking Delay
- And Reverb - with Spring, Small and Medium Room, and Hall type selections

Now imagine that you can control principal parameters of every effect from a remote controller! With 4 dedicated/programmable controllers and complete MIDI control, the FX770 is awaiting your every command. So what are you waiting for... dig in!

1.1 FRONT PANEL LAYOUT AND IDENTIFICATION



① Guitar Input

Plug your guitar in here, and set the Input level according to the instructions of the Input Level Control.

② Signal and Peak Meters

These indicators provide a useful guide for setting input levels and avoiding unwanted distortion. These LEDs function for both **Guitar Input** and for the **Insert Loop Return** according to how the **Meter Select Switch** is set on the Rear Panel.

③ Input Level Control

For the optimum input level setting, play your guitar at the highest output level it will be played in actual use, and adjust the **Input Level** control so that the **Signal LED** lights most of the time. The **Peak LED** should not flash regularly (it may flash occasionally in response to high-level peaks).

④ Output Presence Control

This control is a high-frequency roll-off that is located on the main stereo outputs. You might generally set it around "10", and if you need the sound to be not so bright - turn the control down.

⑤ Output Level Control

This is the **Master Output** volume. On stage, or in the studio, this will control how much output you get from the FX770.

⑥ Program Number LED display

This multi-functional displays show the currently selected **Preset** or **User Program Number**, or in the **Tuner Mode**, it will display the Note name.

⑦ Main LCD Display

This is the main FX770 "information center", providing all of the information necessary for effect program selection, programming and utility control.

⑧ Effect Select Buttons

In Play mode, these buttons are used to turn **Effects Blocks** on and off (See Section 3 THE PLAY MODE). In Edit mode, they are used to select **Effects Blocks** for editing (See Section 4 THE EDIT MODE).

Used to Select the corresponding **Effect Block**, these buttons can also be used to bring an effect in or out of the signal path.

⑨ Mode Select Keys

These keys are used to select the Play, Edit, Utility, and Bypass modes.

⑩ Bypass Key

In play mode, this key is used to select the Bypass and Tuner functions. In Edit mode, it is used to turn effects blocks on and off while editing.

⑪ Function Keys

In Edit mode, these keys are used to select effect types, move the cursor, and store programs.

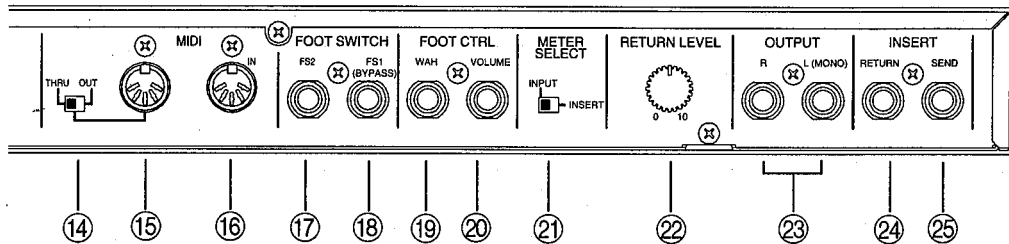
⑫ DATA Wheel

Used for entering new values and selections, the **DATA Wheel** makes programming fast and easy.

⑬ AC Power Switch

In is On, out is Off. Any other setting of this button means there is a problem.

1.2 REAR PANEL LAYOUT AND IDENTIFICATION

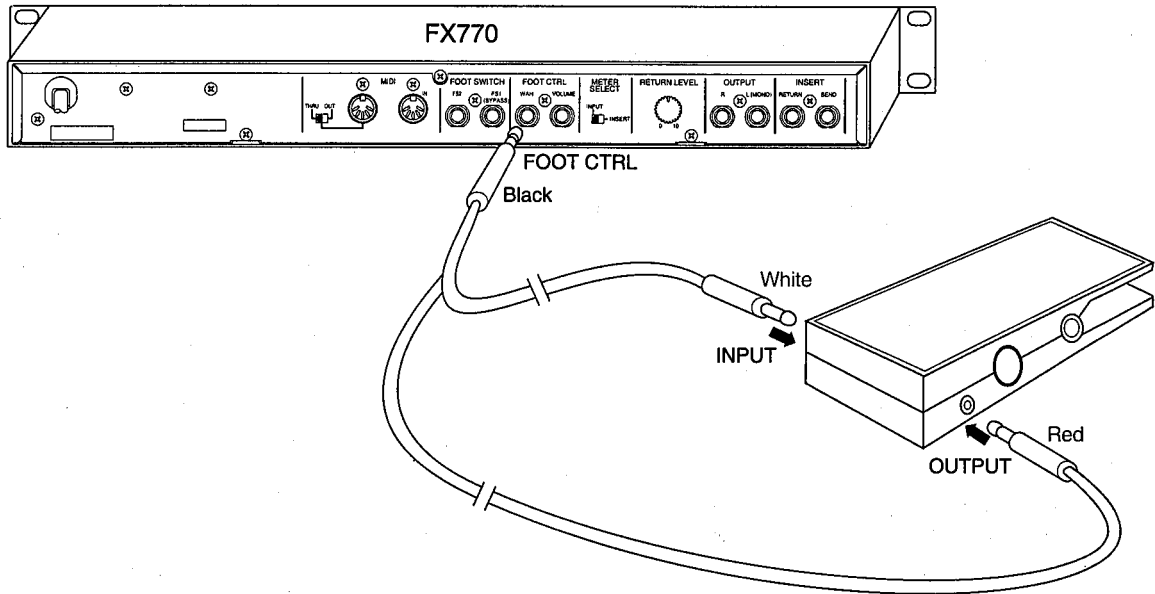
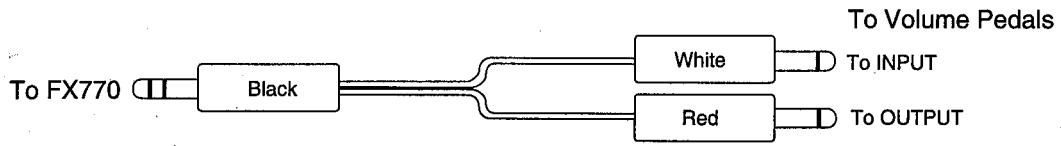


- ⑭ **MIDI Out/Thru Select Switch**
Selects the type of function that the MIDI Out/Thru jack will have.
- ⑮ **MIDI Out/Thru Jack**
Used to pass MIDI Data Thru or to Dump FX770 MIDI Data to an external storage device, the function of this jack is selected by the switch located to its left.
- ⑯ **MIDI In Jack**
When connected to a MIDI Foot controller or other MIDI transmitting device, this jack receives MIDI Data for controlling the FX770.
- ⑰ **FS2 Footswitch port**
This programmable jack can function as Bank Select, Program Select, or as an Effect Trigger. Use the optional Yamaha footswitch model FC5.
- ⑱ **FS1 (Bypass) Footswitch port**
May be set to toggle Bypass/Tuner on and off or to Effect Select on/off. Uses the optional Yamaha footswitch model FC5.
- ⑲ **WAH Foot controller port**
When connected to the optional Yamaha FC7* foot controller, this port functions as a remote WAH control.
- ⑳ **Volume Foot controller port**
When connected to the optional Yamaha FC7* foot controller, this port functions as a remote VOLUME control.
- ㉑ **Meter Select switch**
Used to switch the function of the front panel Signal and Peak LEDs between Input or Insert Loop Return metering.
- ㉒ **Return Level control**
Controls the Return Level of your external effect, etc. Use the same caution as setting the Input Level on the front panel.
- ㉓ **Output jacks**
The composite MIX output appears at these jacks. Output Volume of these jacks is controlled by the Output Level Control located on the Front Panel.
- ㉔ **Insert Return jack**
When using the Insert Loop feature, this jack receives the output of your external effect, etc.
- ㉕ **Insert Send jack**
When using the Insert Loop feature, this jack sends the output of the selected front-end effects of the FX770 to your external effect, etc.

* As well as the Yamaha FC7 foot controller, a Yamaha YIC050 (5 m) insert I/O cable allows you to use commonly available guitar volume pedals to control WAH and volume. We recommend this if you usually play standing up. Refer to next page for illustration.

Section 1: FX770 Features and Controls

The insert I/O cable is also available in 2.5 m (YIC025), 5 m (YIC050) and 7 m (YIC070) lengths.



Section 2: Quick Start Tutorial

In this section you'll learn about all of the basic features and functions of the FX770.

The information included here is brief and designed to get you "jamming" as quickly as possible. Contents of the Quick Start Section include:

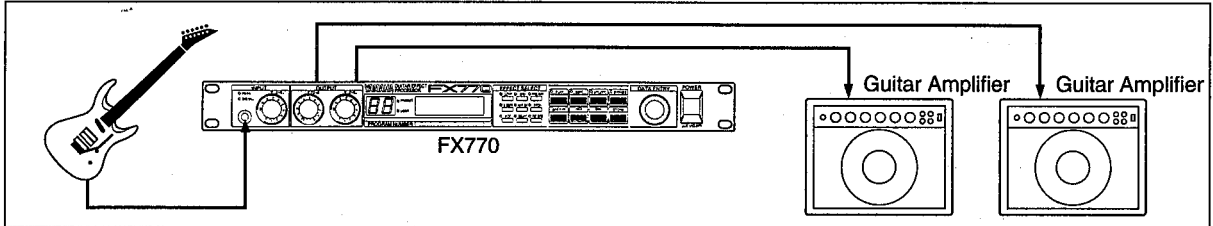
- ***Applications and Connections***
- ***Three Operating Modes of the FX770 (PLAY, EDIT AND UTILITY)***
- ***Program configuration***
 - Selecting Preset Programs*
 - Selecting User Programs*
- ***How to change the sound of a Preset Program***
 - How to Edit and Save an Original Effect Program*
- ***How to Select and use the Built-In Tuner***
- ***Tips for getting the most from your FX770***
 - Using External footswitches and controllers*
 - MIDI Control*
 - Level Setting*

For a complete and detailed look at each feature and function, please refer to the other sections in this manual.

2.1 APPLICATIONS OVERVIEW

The FX770 can be used in many different types of set-ups. From personal rehearsal to live performance, and from home-recording to professional multi-track studios, the actual configuration of your system will depend on your own specific needs. Here are a few suggested set-ups that each have their own benefits, please experiment with these and see which ones get the right tones for you.

• Live performance with Combo Amplifiers

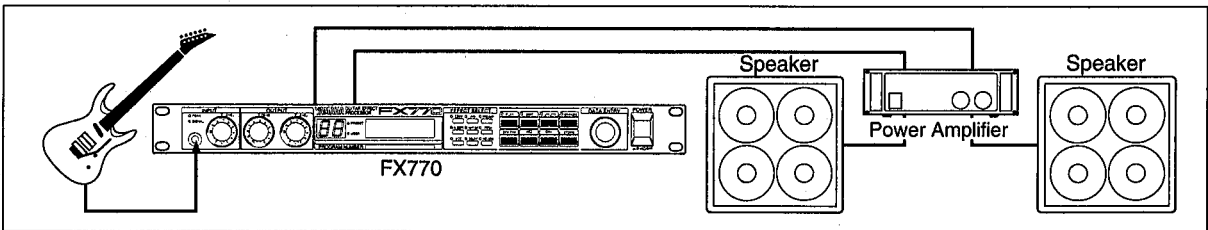


Tech Tip:

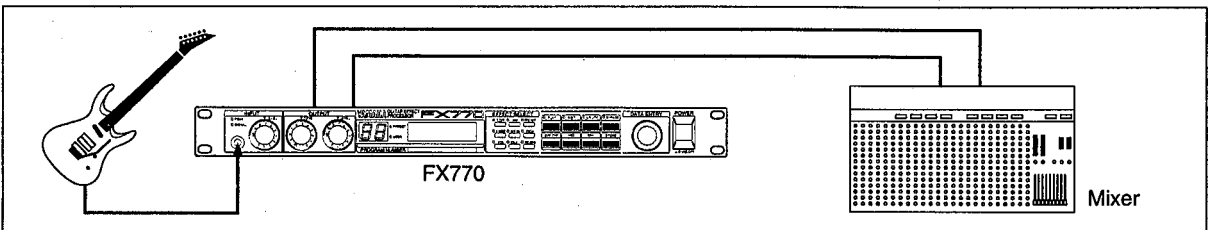
When using the FX770 with a combo-type amp, try the following suggestions to get the purest results. Since all combo-type amps contain both preamp and power-amp sections, the goal is to not color or otherwise adversely affect the tone of your FX770.

1. If the combo has an "Effect Loop", try connecting the Stereo Outputs of your FX770 to the Effect Loop Returns of the combos. This should bypass the preamp section of the combo amp and provide direct access the power-amp section.
2. If the combo does not have an effects loop, set the preamp volume as clean as possible and place any tone controls as "flat" as you can.

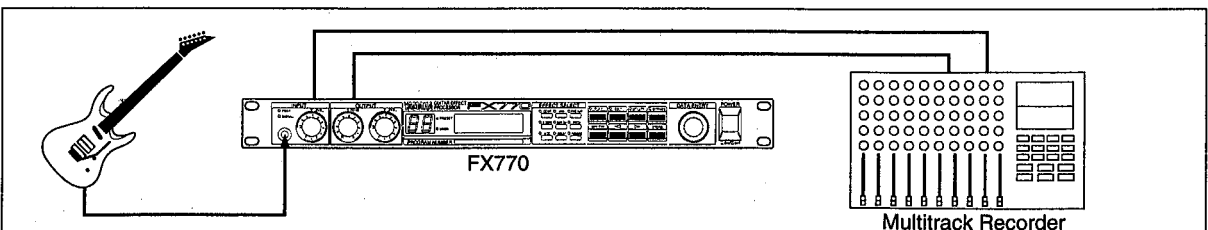
• Live performance with a Power Amp and Extension Speaker Cabinets



• Live performance "Direct" to the house system



• Line-Recording Applications (DI Direct)



2.2 THE THREE OPERATING MODES OF THE FX770

The operation of your FX770 is divided into three basic MODES. Each MODE is dedicated for a specific set of functions; and at one point or another, you will need to know how to enter each MODE and which features and functions you will find in each. The following descriptions of the Modes offer an outline overview of their functions, for specific page by page details of each Mode, please refer to the individual Mode Sections of this manual.

• The Play Mode

The **PLAY** Mode is the main performance mode of the FX770. You may select and recall all Preset and User Effect Programs here as well as control any programmed foot controllers or footswitches. Individual Effect On/Off is also available via the **[EFFECT SELECT]** buttons. The **PLAY** Mode is entered by pressing the **[PLAY]** function key and is verified with it's own LED located above the **[PLAY]** key.

Also available in this mode are the **Bypass** and built-in **Tuner** functions. These features are selected by pressing the **[BYPASS]** function key. The built-in **Tuner** is automatically engaged when the **[BYPASS]** function key is pressed while in the **PLAY** mode.

For complete information regarding the **PLAY** Mode and **BYPASS/TUNER** features and functions, please see Section 3.

• The Edit Mode

The **EDIT** Mode offers complete access and control over all of the parameters that are contained in an Effect Program. Features including: **Patch Select, Noise Gate, Title Edit, Volume Position, FS1 Assignment, Controller 1&2 Assignments, and Effect Copy** can also be changed in this Mode. The **EDIT** Mode is entered by pressing the **[EDIT]** function key and is verified with it's own LED located above the **[EDIT]** key.

The **EDIT** Mode allows access to each individual **Effect Block** for selecting and editing effect parameter values. Effects can also be turned on or off in this Mode by using the **[BYPASS]** function key.

After you've finished any or all editing, the resulting new or edited Effect Program may be saved by pressing the **[STORE]** function key. If you choose not to save these edits, you may exit the **EDIT** Mode by pressing the **[PLAY]** function key. After completion of the **Store** sequence, the FX770 automatically returns to the **PLAY** Mode.

For complete information regarding the features and functions of the **EDIT** Mode, please see Section 4.

• The Utility Mode

This final Mode contains the comprehensive **MIDI Controls and Assignable functions** of the FX770. Here you can set up the customized control over your FX770 to suit your needs and the functions of the various rear panel control and MIDI connections. Complete Data Dumps (via MIDI downloading) are also available for saving or archiving your work to an external storage source. The **UTILITY** Mode is entered by pressing the **[UTILITY]** function key and is verified with its own LED located above the **[UTILITY]** key.

For complete information regarding the features and functions of the **UTILITY** Mode, please see Section 5.

2.3 PROGRAM CONFIGURATION

The FX770 contains two groups of Effect Programs: Preset and User. In Play mode, press the **[PLAY]** button to change groups. A program in the respective group will be recalled when a group is selected.

- **PRESET**

The **PRESET** area contains 100 preset effect programs. These preset programs cannot be erased or changed in any way, but they can be edited and stored in the **USER** area to create your own library of programs. See Section 7.2 for the complete list of Preset Programs and Section 4 to learn about Editing and Storing.

- **USER**

The **USER** area provides 100 locations into which your own effect programs can be stored. You can edit a **PRESET PROGRAM** and store the resulting original program here, or you can edit an existing **USER** program and store the variation here also.

To Select and Recall a Effect Program:

1. Press the **[PLAY]** button to enter the PLAY MODE.
2. Press the **[PLAY]** button again to switch the Preset Program area. The Program number LED indicates the currently Selected Area.
3. Now use the **[DATA WHEEL]** to increase (clockwise turn) the program number or to decrease (counterclockwise turn) to the program of your choice. Preset Effect Programs are numbered from 0 to 99 in both Preset and user area.

2.4 HOW TO CHANGE THE SOUND OF A PRESET PROGRAM (SIMPLE EDITING)

Once you've set up and are playing with your FX770, you'll probably check out the Preset Effect programs that come loaded in the memory. Then, once you find an Effect preset that sounds interesting, you may want to change part of the sound that you hear; this is called Editing. The Effects of the FX770 are quickly and easily edited in the **EDIT** Mode. Follow these steps to change any effect sound:

1. Enter the **EDIT** Mode by pressing the **[EDIT]** function key once.
2. Select the **Effect(s)** that you'd like to change by pressing the corresponding **[EFFECT SELECT]** Button(s).
3. To change the **Effect Type**, press the **[EFF TYP]** function key after you have selected an Effect in step #2 above. Continued pressing of the **[EFF TYP]** key will cycle through the available effect types.
4. Press the respective **[EFFECT SELECT]** button again, and the parameter display page will change.
5. Use the **[◀]** and **[▶]** cursor keys to move the cursor to the effect parameter(s) that you wish to change, then use the **[DATA WHEEL]** to increase or decrease the parameter value(s).
6. To change the **Noise Gate** setting, press the **[EDIT]** key twice (2x) and the **Noise Gate Level** will appear. Use the **[DATA WHEEL]** to change the setting to the desired level.

The steps above are considered “Simple Editing”. They are included here to give you an introductory lesson on the Editing Control of the FX770. To exit the **EDIT** Mode press the **[PLAY]** function key. You may now continue to explore the Preset Effect Programs or **SAVE** the edits you just made by following the steps outlined below. Please read the **EDIT** Mode Section and the Reference Section of this manual for comprehensive details on all editing features and options.

2.4.1 How to save an Edited Effect Program

If you have edited one of these Presets, the resulting Original Effect Program will be **STORED** to a **USER** program location. The steps to **STORE** an **EDIT** are:

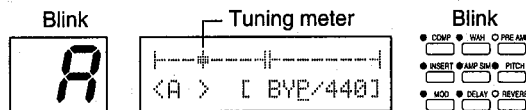
1. Edit the program title as you like (See 4.3 TITLE EDIT).
2. While still in the **EDIT** Mode, press the **[STORE]** function key once.
3. Select the **Location** that you’d like to **STORE** to by using the **[DATA WHEEL]**. The **PROGRAM NUMBER** will flash and the LCD will display the currently selected location.
4. After you have selected the new program location, press **[STORE]** again to complete the procedure. The LCD display will momentarily read “PROGRAM STORE” and confirm the operation.

The FX770 will return to the **PLAY** Mode after each **STORE** procedure, thus automatically exiting the **EDIT** Mode. For complete information about the **EDIT** and **STORE** functions, please refer to Section 4 of this Manual.

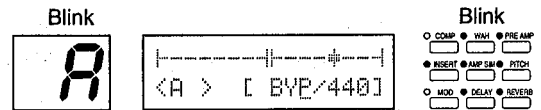
2.5 HOW TO SELECT AND USE THE BUILT-IN TUNER (SIMPLE OPERATION)

The **FX770** is equipped with a full function chromatic guitar **TUNER** that is accessed when the **Bypass** Mode is selected. The guitar sound can be passed to the output unaffected or the sound can be muted for “silent tuning” on stage, depending on how the **Bypass** function is set. Follow the steps below to use the built-in **Tuner**. For complete details of the **Tuner** and **Bypass** Modes, please read **Section 3.1** of this manual.

1. The **TUNER** can only be accessed from the **PLAY** Mode. Please press the **[PLAY]** function key to confirm that your FX770 is in this Mode.
2. Press the **[BYPASS]** key to activate the **BYPASS** and **TUNER** functions.
3. Play any string on the connected guitar and you will see the “Tuning Meter” light on the **LCD** as well as the **LEDs** in the Effect Select Block. The note “letter” will appear in the **Program Number** display.

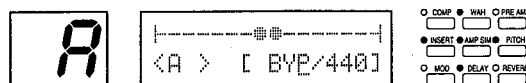


ex.) the A string has been played and it’s a bit flat.



ex.) the A string has been played and it’s a bit sharp.

4. Tune the string until the ♯ mark on the upper line of the LCD moves to the center and changes to ■■■, or the **[EFFECT SELECT]** button LEDs show ····.



5. Repeat steps 3 and 4 for each string on the guitar.

*Note: See Section 3.1 for information regarding tuner frequency and advanced **TUNER** and **BYPASS** functions.*

2.6 TIPS FOR GETTING THE MOST FROM YOUR FX770

These hints and tips are included to show you how to get the full benefit of your FX770. The information here is outlined for review purposes only, you'll find the specifics in the sections listed with each feature.

2.6.1 Using External footswitches and Foot controllers

What are your feet doing while your hands are busy dancing across the fretboard of the guitar? If you're like most players, you wish you had an extra hand to "tweak" your gear while you're playing, and all this time your feet are still just "hangin' out". The FX770 wants to put them to work! Many of the most used and altered parameters of the FX770 may be controlled by the optional external foot controllers and footswitches, and the following suggestions are offered to help you get the most from your FX770 while your hands are still on the guitar! See Section 6 for details.

1. Use the **VOLUME** jack to connect an optional **Yamaha FC7** foot controller or volume pedal* and you'll have control over the FX770 **VOLUME** in either of two locations: a) after the Amp simulator or b) after all effects as a master output volume.
2. Use the **WAH** jack to connect an optional **Yamaha FC7** foot controller or volume pedal* and you'll have control over the FX770 **WAH** functions in either of two locations: a) before the Preamp or b) after the Preamp.
3. Use the **FS1** jack to connect an optional **Yamaha FC5** footswitch and you can control individual **Effects** on/off or to enter and exit the **Bypass** and **Tuner** Modes.
4. Use the **FS2** jack to connect an optional **Yamaha FC5** footswitch and you can control **Bank Select** or step through **Preset** and **User Programs** or use it as an **Effect Trigger** for setting the **Tempo Delay** time or **Rotary/Tremolo** Tempos. See Section 5.4 for details.

* To use a volume pedal you need an optional insert I/O cable (See on page 6).

2.6.2 MIDI Control

The FX770 allows you to control up to two Program parameters in real time using MIDI Control Changes from a MIDI foot controller. MIDI Bulk Dump allows you to copy data to another FX770 or save and load to a MIDI data filer. See Section 6 for details.

2.6.3 Level Setting within the Effect Blocks

Special care should be used when setting the individual Effect Output Levels located within six of the Effect Groups. The Compressor, Preamp, Pitch, Mod, Delay and Reverb Groups all feature parameter control over the signal flow level. If the settings of these levels gets to high, it will result in "digital clipping" and add a harshness to the sound. If any or all levels are set too low, the output of the FX770 is impaired. These levels should only be used to "level out" the signal in an Effect Group that has raised or dropped the normal signal level of the FX770. At no time should the sum of all the Output Levels be greater than +6dB, thus ensuring a clean and manageable signal path. Section 7.4 contains complete details on Output Level Management.

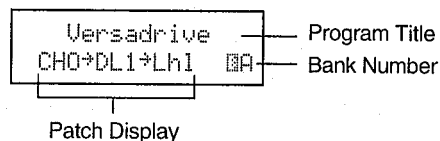
Section 3: The Play Mode

The **PLAY** Mode is the main performance mode of the FX770. You may select and recall all Preset and User Effect Programs here as well as control any programmed foot controllers or footswitches. Individual Effect On/Off is also available via the **Effect Select** buttons or via the remote **FS1**. The **PLAY** Mode is entered by pressing the **[PLAY]** function key and is verified with it's own LED located above the **[PLAY]** key.

Also available in this mode are the **Bypass** and built-in **Tuner** functions. These features are selected by pressing the **[BYPASS]** function key. The built-in **Tuner** is automatically engaged when the **[BYPASS]** function key is pressed while in the **PLAY** mode. The **[PLAY]** key is also used to select Program Areas. Repeated pressing toggles between User and Preset Program Areas, and the Program Area LED indicates the current status.

MAIN PROGRAM DISPLAY IN THE PLAY MODE

The main Program display on the LCD contains the following information:



*The **Program Title** contains the name that has been assigned to this particular Program. Title editing is available for the User Programs only, please read section 4.3 for instruction regarding Title Edit.*

*The **Patch Display** shows the currently used Patch Configuration of the MOD, DELAY, and REVERB effects blocks. This corresponds to one of the 4 Patch Types offered in the Patch Select Edit Mode. Section 4.1 details the Patch Select procedure and options.*

*The **Bank Name** relates to the MIDI Bank selected on the MIDI Program Change Table. Section 5.1 explains how MIDI Bank is used.*

3.1 TO SELECT AND RECALL A PROGRAM

From the 100-Preset Programs and the 100-User Programs, select and recall the one that you want to use.

1. To enter **PLAY** Mode, press the **[PLAY]** function key. Play mode is verified with it's own LED.
2. Press the **[PLAY]** function key again to select the Program Area.
The **[PRESET]** LED or **[USER]** LED on the right side of **Program Number** will light up.
3. Turn the **[DATA WHEEL]** to select the desired Program. The number on the Program Number LED will change and the Program title and the used Patch will be shown on the LCD display.

Turn the **[DATA WHEEL]** slowly to change the number one step at a time, turn the **[DATA WHEEL]** quickly to change the number rapidly.

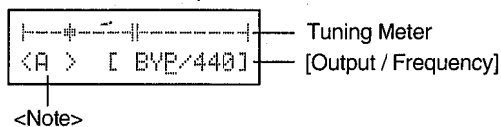
3.2 EFFECT BLOCK ON/OFF

Press the **[EFFECT SELECT]** key to switch the Effect block ON/OFF. The corresponding LED confirms which Effect block is On.

3.3 BYPASS AND TUNER FUNCTIONS IN THE PLAY MODE

The FX770 is equipped with a full function chromatic guitar **TUNER** that is accessed when the **BYPASS** Mode is selected from within the **Play Mode**. The guitar sound can be passed to the output unaffected or the sound can be muted for “silent tuning” on stage, depending on how the **Bypass Output** function is set.

The Bypass and Tuner display on the LCD contains the following information:



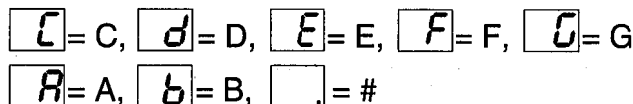
When you play a string, \sharp appears on the **Tuning Meter**. If it appears to the left of the center mark, the string is flat. If it appears to the right of the center mark, the string is sharp. When the string is in tune, \sharp will appear at the center of the upper line on the LCD.

The **Note** indicator displays the name of the note being tuned. The name of the closest note to the one played will appear.

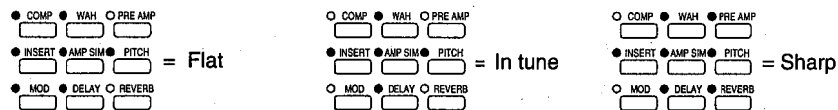
The **Output** parameter selects the type of Bypass Output. If set to **MUTE**, the output sound of the FX770 will be turned off as to facilitate “silent tuning” on stage. If the Bypass Output is set to **BYP**, the unaffected sound will be passed to the outputs, and the “dry” guitar sound will be heard.

The **Frequency** parameter is used to set the Tuning Frequency. This value is variable from a frequency of 438Hz. through 445Hz. The [Program Number] and [EFFECT SELECT] key LEDs show the following information. This is convenient when you tune your guitar away from the FX770.

[PROGRAM NUMBER] LED

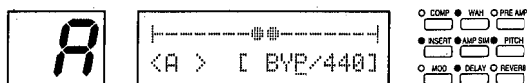


[EFFECT SELECT] LED



Follow the steps below to set the **Bypass Output** function and use the built-in **Tuner**.

1. The **TUNER** can only be accessed from the **PLAY** Mode. Please press the [**PLAY**] function key to confirm that your FX770 is in this Mode.
2. Press the [**BYPASS**] key to activate the **BYPASS** and **TUNER** functions.
3. To set the **Bypass Output** function of your choice, use the [**DATA WHEEL**] to select **MUTE** or **BYP**.
4. To change the **Tuning Frequency**, move the cursor in the **LCD** to under the frequency number by using the [**▶**] cursor key. Now adjust the frequency by the [**DATA WHEEL**].
5. Play any string on the connected guitar and you will see the “Tuning Meter” light on the **LCD** as well as the **LEDs** in the Effect Select Block. The note “letter” will appear in the **Program Number** display as well as in the **<Note>** area of the LCD.
6. Tune the string until the \sharp mark on the upper line of the LCD moves to the center and changes to \sharp , or the **EFFECT SELECT** button LEDs show $\cdot\cdot\cdot$.



7. Repeat steps 5 and 6 for each string on the guitar.

Section 4: The Edit Mode

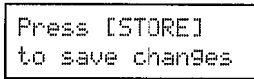
The **EDIT** Mode offers complete access and control over all of the parameters that are contained in an **Effect Program**. Additionally, features including: **Patch Select, Noise Gate, Title Edit, Volume Position, FS1 Assignment, Controller 1&2 Assignments, and Effect Copy** can also be set in this Mode. Parameter settings can be stored. The **EDIT** Mode is entered by pressing the **[EDIT]** function key and is verified with it's own LED located above the **[EDIT]** key.

EFFECT PARAMETER EDIT

The **EDIT** Mode allows access to each individual **Effect Block** for selecting and editing of effect parameter values. Effects can also be turned on or off in this Mode by using the **[BYPASS]** function key.

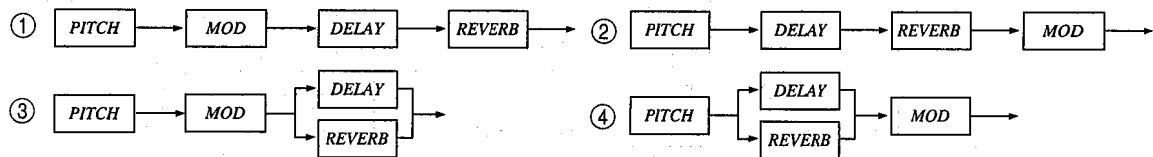
SETTING OTHER FUNCTIONS

Pressing the **[EDIT]** function key allows you to edit the **Patch Select, Noise Gate, Title Edit, Volume Position, FS1 Assignment, Controller 1&2 Assignments, and Effect Copy** parameters. When you've finished editing, press the **[STORE]** button to store the Effect Program. Once the Effect Program has been stored, Play mode is selected automatically. If you don't want to store the Effect Program, press **[PLAY]** to exit Edit mode. When you try to select another Effect Program, the LCD shown below will appear prompting you to store the Program. Press **[PLAY]** again to continue.

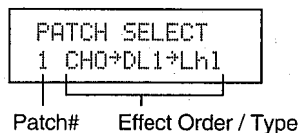


4.1 EFFECT PATCH CONFIGURATION (PATCH SELECT)

The FX770 features four different programmable signal paths that are called **PATCHES**. These **PATCHES** determine the order of the **MOD, DELAY** and **REVERB** Effects Blocks and allow you to create a wide range of varied and striking effects. Each **Patch** is designated by a number 1 - 4 and features a different combination of series or series/parallel Effect Blocks. When you recall a Program that uses the same patch, Delay feedback of the previous program will remain effective. The four Effect **Patches** are:



The **Patch Select** display on the **LCD** contains the following information:



The **Patch #** designates the currently selected **Patch** number as described above.

The **Effect Order and Type** display contains the signal flow order and shows the type of effect used in the currently selected Program. →: series, +: parallel

The first page in the **EDIT** Mode is used for **Patch Select**. To reach the **Patch Select** page, press the **[EDIT]** function key until the **Patch Select** display appears in the **LCD**. Use the **[DATA WHEEL]** to change the currently selected **Patch Number**.

4.2 NOISE GATE

The FX770 features a convenient and easy to use programmable **NOISE GATE**. This specially designed noise gate can be used to eliminate excessive noise from your guitar or from super high-gain preamp settings. Each Effect Program can have its own level of noise reduction as determined by the setting of the **NOISE GATE** value. Care should be taken when selecting extremely high Noise Gate settings as not to “over gate” the ends of sustaining notes.

TO SELECT THE NOISE GATE FUNCTION:

Press the **[EDIT]** key until the display appears as below. Use the **[DATA WHEEL]** to increase or decrease the noise gate value. A setting of **0 (zero)** is off and a setting of **20 (twenty)** is the highest, resulting in the greatest level of noise reduction.

```
NOISE GATE
LEVEL: 8
```

4.3 TITLE EDIT

With the **TITLE EDIT** function you can create original “names” for your effect programs that are stored in the **USER** Program area. Press the **[EDIT]** key until the display shown below appears.

```
TITLE EDIT
Versadrive
```

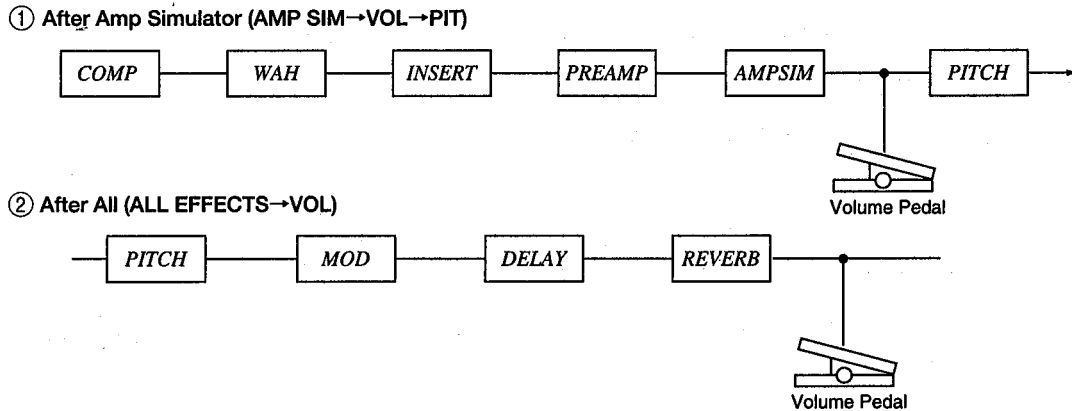
Use the **[◀]** and/or **[▶]** cursor keys to move the cursor to the character that you’d like to change, then use the **[DATA WHEEL]** to change the selected character. The characters available for use in your titles are shown in the chart below. The total length of your title is limited to 16 characters (including spaces).

	A	B	C	D	E	F	G	H	I	J	K	L	M	N	O	P	Q	R	S
T	U	V	W	X	Y	Z		a	ä	b	c	d	e	f	g	h	i	j	k
l	m	n	o	ö	p	q	r	s	t	u	ü	v	w	x	y	z		ア	ア
イ	イ	ウ	ウ	エ	エ	オ	オ	カ	キ	ク	ケ	コ	サ	シ	ス	セ	ソ	タ	チ
ツ	テ	ト	ナ	ニ	ヌ	ネ	ノ	ハ	ヒ	フ	ヘ	ホ	マ	ミ	ム	メ	モ	ヤ	ヤ
ユ	ユ	ヨ	ヨ	ラ	リ	ル	レ	ロ	ワ	ヲ	ン	「	」	°	□	—		[]
<	>	:	.	*	+	-	=	&	/	,	.	'	%	!	?	→	←	#	
0	1	2	3	4	5	6	7	8	9										

To delete the character at the cursor position, press the **[◀]** button while holding down the **[EFF TYPE]** button. To insert a space before the cursor position, press the **[▶]** button while holding down the **[EFF TYPE]** button.

4.4 VOLUME CONTROL POSITION

When you use the external volume control function, the position of the **Volume Control** within the FX770 may be placed either **After Amp Simulator (Pre-FX)** or **After All (Post-FX)**. The following diagram will help you visualize these positions within the signal flow. To control the volume, connect an optional Yamaha FC7 Foot Controller to the Volume jack on the FX770 rear panel. Alternatively, use MIDI Control Change messages.



When used **After Amp Simulator**, string type “swell” effects are possible, with the Delay and Reverb effects maintaining their natural decay. When used **After All**, the control will act as a Master Volume.

To Select the Volume Position:

1. Press the **[EDIT]** key until the LCD display appears as below.

```
VOLUME POSITION
AMP SIM→VOL→PIT
```

2. Use the **[DATA WHEEL]** to select the position of your choice.

```
VOLUME POSITION : Above diagram ① After Amp Simulator
AMP SIM→VOL→PIT
```

```
ALL EFFECTS→VOL : Above diagram ② After All
```

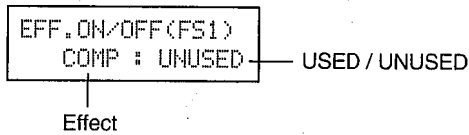
Minimum volume levels are also programmable for this control, please see Utility section 5.2.

* You need an optional Yamaha insert I/O cable when you use a guitar volume pedal. (See page 6.)

4.5 FS1 EFFECT ON/OFF

When the **FS1** function is assigned to **Effect On/Off**, the fifth page of the **EDIT** Mode allows you to select which of the nine **Effect Blocks** will be affected by this control. This function is great for “kicking in” a special effect during a solo or for turning off selected effects when not being used within a Program. Any or all of the nine **Effect Blocks** may be assigned for this On/Off feature within each **USER** Program. The **FS1** function must be set to **EFFECT ON/OFF** in Utility mode for this function to work. If it isn't, "FS1" will flash on the LCD.

The **EFF. ON/OFF (FS1)** display on the **LCD** contains the following information:



Effect designates the currently selected **Effect Block** to be assigned.

USED or UNUSED display selects whether the currently selected **Effect Block** will be affected when the **FS1** footswitch is pressed.

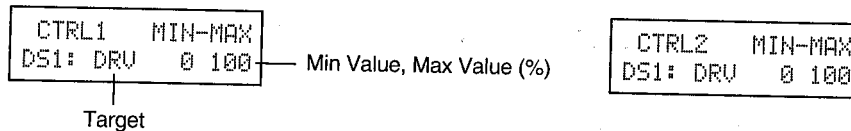
To Assign the FS1 function to an Effect Block:

1. Press the **[EDIT]** key until the **LCD** display appears as above.
2. With the cursor under the **Effect** parameter, use the **[DATA WHEEL]** to select the **Effect Block** that you wish to assign to this function.
3. Use the **[▶]** cursor key to place the cursor under the **Used/Unused** parameter and then select **USED** or **UNUSED** with the **[DATA WHEEL]**.
4. Repeat steps 2 and 3 above for each **Effect Block** that you wish to control with **FS1**.

4.6 MIDI CONTROLLER 1 AND 2 EFFECT TARGETS

The sixth and seventh pages of the **EDIT Mode** are for assigning the “destinations” or “**TARGETS**” of the two MIDI Controllers. These targets are the effect parameters that benefit the most from the “extra hand” that a MIDI Continuous controller can provide. The features of CTRL1 and CTRL2 are identical, while their functions vary only in that they may have different effects as targets. In addition to selecting a MIDI Controller target, the FX770 allows for setting minimum and maximum control values.

The **CTRL1** and **CTRL2** display on the **LCD** contains the following information:



*The **Target** designates the currently selected **Effect Parameter** to be assigned for control or sets the function to Off. When the **Target** is selected, the MIDI Control function doesn't work.*

*The **Min Value** sets the minimum or lowest value that the controller will affect. (%)*

*The **Max Value** sets the maximum or highest value that the controller will affect. (%)*

To Set the CTRL1 and CTRL2 Assignments:

1. Press the **[EDIT]** key until the **LCD** display appears as above. (CTRL1 is on the sixth page of the **EDIT Mode**)
2. With the cursor under the **Target** parameter, use the **[DATA WHEEL]** to select the **Effect Target** that you wish to assign to this function.
3. Use the **[▶]** cursor key to place the cursor under the **Min Value** parameter and then set the minimum value with the **[DATA WHEEL]**.
4. Use the **[▶]** cursor key to place the cursor under the **Max Value** parameter and then set the maximum value with the **[DATA WHEEL]**.
5. Press the **[EDIT]** key once more and **CTRL2** will appear in the **LCD** display. (CTRL2 is on the seventh page of the **EDIT Mode**)
6. Follow the same steps as above for setting the **CTRL2** functions and values.

The following parameters can be controlled via MIDI Control Changes:

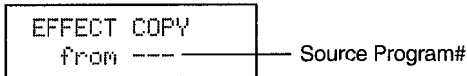
VOLUME	DS2: MID	OD2: FIL	SPI: WID	FLG: WID	PAN: TRG	DL1: HF	TD1: HF	MTD: PAN2	Lhl: RVT
CO1: ATK	DS2: TRB	CRN: DRV	SPI: MIX	FLG: MIX	PAN: DIR	DL2: DLYL	TD2: TEMP	MTD: VOL2	Lhl: HF
CO1: SUS	DS2: PRS	CRN: MVL	SPI: LVL	FLG: LVL	PAN: LFO	DL2: DLYR	TD2: NOTL	MTD: DLY3	Lhl: IDLY
CO1: LVL	DS2: FIL	CRN: BAS	SPI: DLY	FLG: LFO	PAN: FIL	DL2: FBD	TD2: NOTR	MTD: PAN3	Lhl: MIX
CO2: ATK	DS3: DRV	CRN: MID	SPI: FIL	FLG: FIL	TRM: TEMP	DL2: FB	TD2: NOTF	MTD: DLY4	Lhl: LVL
CO2: SUS	DS3: MVL	CRN: TRB	SPI: KEY	SYM: SPD	TRM: NOTE	DL2: MIX	TD2: FB	MTD: VOL3	Lhl: GATE
CO2: LVL	DS3: BAS	CRN: PRS	PCH: DEP	SYM: DEP	TRM: DEP	DL2: LVL	TD2: MIX	MTD: PAN4	Mrm: RVT
LIM: ATK	DS3: MID	CRN: FIL	PCH: MIX	SYM: WID	TRM: MIX	DL2: L/R	TD2: LVL	MTD: VOL4	Mrm: HF
LIM: SUS	DS3: TRB	CLN: MVL	PCH: LVL	SYM: MIX	TRM: LVL	DL2: HF	TD2: TRG	MTD: DLY5	Mrm: IDLY
LIM: LVL	DS3: PRS	CLN: BAS	PCH: DLY	SYM: LVL	TRM: TRG	MDL: DLY	TD2: L/R	MTD: PAN5	Mrm: MIX
WA1: POS	DS3: FIL	CLN: MID	PCH: FIL	SYM: DLY	TRM: LFO	MDL: FB	TD2: HF	MTD: VOL5	Mrm: LVL
WA2: POS	OD1: DRV	CLN: TRB	CHO: SPD	SYM: FIL	TRM: FIL	MDL: SPD	TMD: TEMP	MTD: DLY6	Mrm: GATE
WA3: RES	OD1: MVL	CLN: PRS	CHO: PMD	ROT: MODE	RES: SEN	MDL: DEP	TMD: NOTE	MTD: PAN6	Srm: RVT
WA3: POS	OD1: BAS	CLN: FIL	CHO: AMD	ROT: MIX	RES: RES	MDL: MIX	TMD: FB	MTD: VOL6	Srm: HF
DS1: DRV	OD1: MID	INS: PNT	CHO: WID	ROT: LVL	RES: MODE	MDL: LVL	TMD: SPD	MTD: MIX	Srm: IDLY
DS1: MVL	OD1: TRB	AMP: CHR	CHO: MIX	ROT: SLOW	RES: MIX	MDL: HF	TMD: DEP	MTD: LVL	Srm: MIX
DS1: BAS	OD1: PRS	AMP: DEP	CHO: LVL	ROT: FAST	RES: LVL	TD1: TEMP	TMD: MIX	DUC: DLY	Srm: LVL
DS1: MID	OD1: FIL	AMP: DI	CHO: DLY	ROT: RATE	RES: FIL	TD1: NOTE	TMD: LVL	DUC: FB	Srm: GATE
DS1: TRB	OD2: DRV	SPI: PCL	CHO: LFO	ROT: FIL	DL1: DLY	TD1: FB	TMD: TRG	DUC: THR	Spr: RVT
DS1: PRS	OD2: MVL	SPI: PFL	CHO: FIL	PAN: TEMP	DL1: FB	TD1: MIX	TMD: HF	DUC: MIX	Spr: HF
DS1: FIL	OD2: BAS	SPI: VoIL	FLG: SPD	PAN: NOTE	DL1: MIX	TD1: LVL	MTD: DLY1	DUC: LVL	Spr: IDLY
DS2: DRV	OD2: MID	SPI: PCR	FLG: DEP	PAN: DEP	DL1: LVL	TD1: TRG	MTD: PAN1	DUC: DEF	Spr: MIX
DS2: MVL	OD2: TRB	SPI: PFR	FLG: DLY	PAN: MIX	DL1: DEF	TD1: DEF	MTD: VOL1	DUC: L/R	Spr: LVL
DS2: BAS	OD2: PRS	SPI: VoIR	FLG: FB	PAN: LVL	DL1: L/R	TD1: L/R	MTD: DLY2	DUC: HF	Spr: GATE

4.7 EFFECT COPY

This is one of the most exciting features of the FX770! Once you've discovered and mastered the Effect Copy function, you'll wonder how you ever lived without it!

Imagine you've just spent hours creating the "Ultimate Overdrive sound" and saved it to a User Program. Now, you'd like to create another Program with identical Preamp settings but with completely different effects. Instead of starting from scratch, you can use the **Effect Copy** feature to duplicate and transfer the original sound to the new Program, thus saving all the time you might have spent replicating these settings. Very fast, very cool!

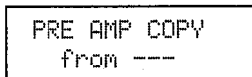
The Effect Copy display on the LCD contains the following information:



The **Source Program #** selects the Program from which the Effect to be copied will come.

To use the Effect Copy Function

1. Press the **[EDIT]** key until the display appears as above. All **[EFFECT SELECT]** LEDs will blink.
2. Press the **[EFFECT SELECT]** button of the Effect that you wish to copy. The specified **[EFFECT SELECT]** LED will blink.
(for the example below, press the Preamp effect button)



3. Select the **Source Program #** by using the **[DATA WHEEL]**. You can listen to the source program.
4. Press the same **[EFFECT SELECT]** button again and the DATA will be copied and transferred.
5. To copy other effects, repeat steps 2, 3, and 4.

To quit this function, press the **[PLAY]**, **[EDIT]**, or **[UTILITY]** key.

4.8 EDITING THE EFFECTS PARAMETERS

This is where we get to the heart of the FX770, editing the nine Effects Blocks. In this section we'll learn how to:

- *Access the Effects Blocks for Editing*
- *Change the Effect Types*
- *Navigate the Effect Parameter pages and Values*

The editing instructions that follow apply to all nine Effect Blocks. For specific information about each Effect Block and its individual parameters, please refer to Sections 7.1 through 7.1.9. An Effect Block may be accessed for Editing at any time while the FX770 is in **EDIT** Mode. Only one Effect Block may be selected for editing at any given time, but you may edit several Effect Blocks in the same session (just not simultaneously).

To Access An Effect Block for Editing

1. Press the **[EDIT]** key to enter the Edit Mode.
2. From any page in the Edit Mode (except Effect copy), Press the **[EFFECT SELECT]** button of the **Effect Block** that you wish to edit.
3. You are now in the **Effect Edit Mode** and you may change the **Effect Type** or navigate the **Effect Parameters**.

To Change the Effect Type

1. Follow the instructions above to access the Effect Block that you wish to Edit.
2. From any page in the **Effect Edit Mode**, Press the **[EFF TYP]** function key until you reach the **Effect Type** of your choice (the Effect Type name will appear in the upper left hand corner of the LCD display).
3. You may now edit the Effect Parameters of the selected Effect.

To Navigate the Effect Pages and Parameter Values

1. Press the **[EDIT]** key to enter the Edit Mode, or verify that your FX770 is already in this Mode.
2. From any page in the Edit Mode, Press the **[EFFECT SELECT]** button of the **Effect Block** that you wish to edit. You are now in the **Effect Edit Mode**.
3. Repeated pressing of the same **[EFFECT SELECT]** button will cycle the **Pages** of the currently selected **Effect Block**. You may also use the **[◀]** cursor and **[▶]** cursor keys to navigate through the Parameters.

USING THE BYPASS KEY DURING EFFECT EDITING

Individual Effect Blocks may be independently bypassed during the Effect Edit process. This is especially helpful for isolating the Effect Block that you are currently editing, so you can focus your attention to the job at hand. Additionally, the Bypass Key may be used to Select an Effect Block that may not be active in the Preset that you are editing, thus enabling the Effect and allowing access to editing.

To Bypass or Enable an Effect Block during Effect Editing

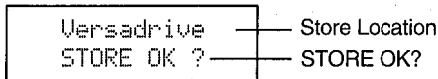
1. If the Effect is *active* in the Preset being edited, push the **[BYPASS]** key to turn this Effect **OFF**. The green LED will now "Flash" (off period longer than on) indicating that this Effect is now **Bypassed**.
2. If the Effect is *not active* in the Preset being edited, push the **[BYPASS]** key to turn this Effect **ON**. The green LED will now "Blink" (on period longer than off) indicating that this Effect is now **Active**.

4.9 PROGRAM STORE

The Program Store Mode is used to save any edit(s) or changes you have made to the currently selected Program. This Mode may also be used to move or relocate a Program to a new location. The Program Store Mode may be exited at any time by pressing any of the [EFFECT SELECT] buttons or the [PLAY], [EDIT], [UTILITY] or [BYPASS] keys.

The Program Store display on the LCD contains the following information:

1. Press the [STORE] key to enter the **Program Store Mode**.

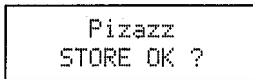


*The **Store Location** contains the name of the Program that will be overwritten by the currently edited Program to be stored.*

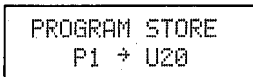
*The **PROGRAM NUMBER LED** shows the number of the Program that will be overwritten by the currently edited Program to be stored.*

*The **EFFECT SELECT LED** shows the setting of the Program that will be overwritten when the program currently being edited is stored.*

2. Use the [DATA WHEEL] to select the **USER Program** location that you wish to **Store** the current edit(s).



3. Press the [STORE] key again to complete this process. The LCD display will flash a confirmation message like the sample below for a few seconds, then Play mode will be selected.



To Exit or Cancel Program Store

The Program Store Mode may be exited at any time by pressing any of the [EFFECT SELECT] buttons or the [PLAY], [EDIT], [UTILITY] or [BYPASS] keys.

Section 5: The Utility Mode

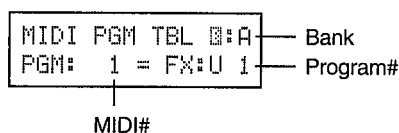
This final Mode contains the comprehensive **MIDI Controls** and **Assignable functions** of the FX770. Here you can set-up the customized control over your FX770 to suit your needs. Complete Data Dumps (via MIDI downloading) are also available for saving or archiving your work to an external storage source.

The **UTILITY** Mode is entered by pressing the [UTILITY] function key and is verified with it's own LED located above the [UTILITY] key.

5.1 MIDI-PROGRAM CHANGE TABLE

All Preset Programs and User Programs of the FX770 are available for recall via MIDI Program Change message. The manner in which the FX770 responds to MIDI Program Change is assignable with the MIDI Program Change Table. You may save seven different MIDI Program Change Tables for different "sets" or situations, these are called Banks, thus allowing unlimited arrangement of Preset and User Programs.

The MIDI Program Change Table display on the LCD contains the Following information:



Bank shows the currently selected Bank Letter that is assigned to this MIDI Program Change Table.

The MIDI # displays the incoming MIDI Program Change number.

The Program # displays the FX770 Preset or User Program to be mapped to the incoming MIDI Program Change number. (*P* for Preset, and *U* or User Program)

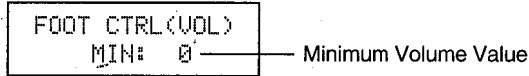
To Map a MIDI Program Change to a FX770 Program:

1. Press the [UTILITY] key to enter the Utility Mode, continue pressing the [UTILITY] key until the display appears as above.
2. To change the **Bank** assignment: Place the cursor under the **Bank Letter** by using the [◀] [▶] cursor keys and then use the [DATA WHEEL] to select the Bank of your choice.
3. To **Map an Incoming MIDI Program Change**: Place the cursor under the **MIDI#** by using the [◀] [▶] cursor keys and then use the [DATA WHEEL] to select the MIDI Program number.
4. To **Assign a FX770 Program** to the MIDI Program number just selected: Place the cursor under the **Program#** by using the [◀] [▶] cursor keys and then use the [DATA WHEEL] to assign the FX770 Program number.

5.2 SETTING THE MINIMUM VALUE FOR THE VOLUME CONTROL

This function is for setting the Minimum Volume Value for the optional Yamaha FC7 Foot Controller or guitar volume pedal that can be connected to the Volume jack on the FX770 rear panel.

The FOOT CTRL (VOL) display on the LCD contains the following information:



Minimum Volume Value shows the minimum value for the Volume Control. Values assignable from **0** to **100**.

To Set the Minimum Volume:

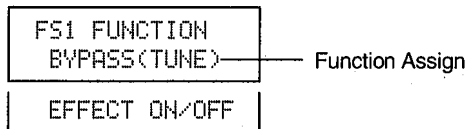
1. Press the [UTILITY] key to enter the Utility Mode, continue pressing the [UTILITY] key until the display appears as above.
2. Use the [DATA WHEEL] to set the Minimum Volume value of your choice.

* You need an optional Yamaha insert I/O cable when you use a guitar volume pedal. (See page 6.)

5.3 FS1 FUNCTION

The FS1 Function Select assigns the external FS1 footswitch function to be either **Bypass (Tune)** or for **Effect On/Off** (as described in Section 4.5 of this manual).

The FS1 Function display on the LCD contains the following information:



Function Assign shows the currently selected function.

To Set the FS1 Function

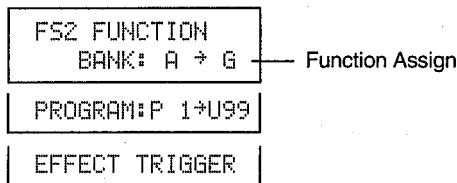
1. Press the [UTILITY] key to enter the Utility Mode, continue pressing the [UTILITY] key until the display appears as above.
2. Use the [DATA WHEEL] to set the FS1 Function of your choice.

5.4 FS2 FUNCTION

The **FS2 Function Select** assigns the external **FS2** footswitch to be one of the following functions.

- Bank Cycle
- Program Cycle
- Effect Trigger

The **FS2 Function** display on the LCD the following information:



Function Assign shows the currently selected function.

Options include:

- Bank Cycle* - when selected, the **FS2** footswitch will advance through the assigned Banks
- Program cycle* - when selected, the **FS2** footswitch will advance through the assigned Programs
- Effect Trigger* - when selected, the **FS2** footswitch will trigger *Effect* features such as *Delay Tempo* or *Rotary Speed*.

To Set the FS2 Function

1. Press the **[UTILITY]** key to enter the Utility Mode, continue pressing the **[UTILITY]** key until the display appears as above.
2. Use the **[DATA WHEEL]** to set the **FS2** Function of your choice.
3. If **Bank Cycle** is selected, use the **[▶]** cursor key and **[DATA WHEEL]** to assign the Banks that you wish to cycle through.
 - ex.) Specify A → C then A → B → C → A
4. If **Program Cycle** is selected, use the **[▶]** cursor key and **[DATA WHEEL]** to assign the Program Numbers that you wish to cycle through. You can specify any number from P0 to U99.
 - ex.) When you specify P98 → U2

→ P98 → P99 → U0 → U1 → U2
 - When you specify U2 → P98

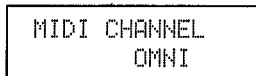
→ U2 → U1 → U0 → P99 → P98
5. If **Effect Trigger** is selected, no other setting is needed here. Please remember to assign the **FS2** Trigger to the **Effect** Parameter within the **Effect Edit Mode**.

5.5 MIDI CHANNEL

This function sets the incoming MIDI Channel. The FX770 can receive on any MIDI Channel, Omni or Off

To Set the MIDI Channel

1. Press the [UTILITY] key to enter the Utility Mode, press the [UTILITY] key a few times until the display appears as below.



2. Use the [DATA WHEEL] to select the MIDI Channel 1 ~ 16, Omni or Off.

If you set it to OMNI, the receive channel is OMNI and the transmission channel is 1.

5.6 MIDI CONTROLLER 1 & 2 SOURCE ASSIGNMENT

The FX770 allows two external MIDI Controllers to be assigned for real-time control of Effect parameters. Any Controller on a MIDI instrument or MIDI Floorcontroller that transmits MIDI control change numbers between 1 and 95 can be used. In addition, Key Note, Key Velocity and Channel Pressure can also be recognized. This section describes how to set the MIDI Controller Sources for both MIDI CONTROLLER 1 and MIDI CONTROLLER 2. The MIDI Controller Effect Targets are assigned in the EDIT Mode, please read Section 4.6 for details.

The MIDI CONTROLLER 1 and MIDI CONTROLLER 2 display on the LCD contain the following information:



MIDI CTRL Source determines the source of the MIDI controller information to be received by the FX770. This parameter may be set OFF, or to any MIDI Controller number from 1 through 95. You may also select Key Note, Key Velocity or Channel Pressure for a MIDI Controller Source.

To Set the MIDI CONTROLLER 1 and MIDI CONTROLLER 2 Assignments:

1. Press the [UTILITY] key until the LCD display appears as above. (MIDI CONTROLLER 1 and MIDI CONTROLLER 2 are found on consecutive pages).
2. Use the [DATA WHEEL] to select the MIDI CONTROLLER SOURCE that you wish to assign to MIDI Controller 1.
3. Press the [UTILITY] key again to reach MIDI Controller 2, then use the [DATA WHEEL] to select the MIDI CONTROLLER SOURCE that you wish to assign.
4. Remember to Assign the MIDI Controller Targets for both MIDI Controllers 1 and 2! These functions are set in the EDIT Mode and are described in Section 4.6 of this manual.

5.7 MFC06 EFFECT ON/OFF CONTROL ASSIGNMENT

FX770 effects can be switched on and off using an optional Yamaha MFC06 MIDI Foot Controller. MFC06 switches [1] to [5] can be assigned to any of the nine FX770 Effects Blocks.

```
MFC06 ASSIGN
[1]: COMP
```

MFC06 EFFECT ON/OFF ASSIGN SETTING

1. Press the [UTILITY] key until the LCD display shown above appear.
 2. Move the cursor to the left, and select MFC06 switches [1] to [5] using the [DATA WHEEL] button.
 3. Move the cursor to the right, and select an FX770 effect block using the [DATA WHEEL] button.
- ‡ Please stick the supplied Effects Block stickers onto the MFC06.

5.8 MIDI BULK DATA OUTPUT

The MIDI Bulk Out function makes it possible to transmit a bulk data dump of a single Program, multiple Programs, System setup, the Program Change Table of a single Bank, or all of the above via the MIDI Out/Thru port. This is great for archiving or for making safety backups of your important FX770 Data.

The **MIDI Bulk Out** display on the LCD contain the following information:

```
MIDI BULK OUT
ALL ——— Data Type
SYSTEM
PROGRAM: ALL
BANK: ALL
```

Data Type selects the type of DATA to be sent out the MIDI out jack.

To Transmit MIDI Data:

1. Set the **MIDI Out/Thru** switch on the Rear Panel to the “Out” position.
2. Press the [UTILITY] key until the LCD display appears as above.
3. Use the [DATA WHEEL] to select the **MIDI Data Type** that you wish to transmit.

Available MIDI data Types include:

ALL	All Program, System, and Program Change Table Data
SYSTEM	System set-up data (i.e. current Utility settings, etc.)
PROGRAM	The data for the specified Memory location(s)
BANK	The MIDI Program Change Table of the selected Bank

4. If you select either **Program** or **Bank**, use the [▶] cursor key and [DATA WHEEL] to select the Program number or All Programs, or to select the Bank (A - G or All Banks) that you wish to transmit.
5. Press the [STORE] key to begin the MIDI Data Transmission.

FX770 Bulk data is sent on the MIDI Channel specified by the MIDI CHANNEL parameter. See section 5.5. If this parameter is set to OMNI, Bulk data is sent on MIDI Channel 1.

Section 6: Remote Control

6.1 REMOTE CONTROL FUNCTIONS

You can control the FX770 remotely by connecting the optional foot controller or MIDI device to one of the five external control terminals on the rear panel. You can control the following functions remotely:

- **VOLUME port (Footcontroller)**
 - Controlling the volume level
- **WAH port (Foot controller)**
 - Controlling wah
- **FS1 port (Foot switch)**
 - Switching BYPASS (TUNE) ON/OFF
 - Switching EFFECT ON/OFF
- **FS2 port (Foot switch)**
 - Recalling a Program
 - Selecting a Bank
 - Switching the speed
 - Setting a TEMPO
- **MIDI IN port**
 - Recalling a Program (PROGRAM CHANGE)
 - Setting a TEMPO (MIDI CLOCK)
 - Adjusting the pitch change (NOTE-ON MESSAGE)
 - Adjusting the parameters (CONTROL CHANGE, etc.)
 - Adjusting the volume level (CONTROL CHANGE, ACTIVE SENSING)
 - Switching the effect ON/OFF by MFC06
 - Bulk dump (EXCLUSIVE MESSAGE)
 - Selecting a Bank (EXCLUSIVE MESSAGE)

6.2 FOOT CONTROL FUNCTIONS

• VOLUME port

Using the Yamaha FC7 or a guitar volume pedal* allows you to adjust the volume level. You can set the volume level position, and the minimum volume level (the lowest volume level set by the FC7).

1. Set the minimum volume (“5.2 Setting the minimum value for the volume control” on page 24).
2. Set the volume position (“4.4 FC1 volume control position” on page 17).
3. Save the data if necessary.
4. Connect the footcontroller to the VOLUME port.

The volume position described in “4.4 FC1 volume control position” on page 17 affects the MIDI volume. That is, there are two volumes at one position.

* You need an optional Yamaha insert I/O cable when you use the guitar volume pedal. (See page 6.)

• WAH port

Use the Yamaha FC7 or a guitar volume pedal* to control wah.

1. Set the CTRL parameter of “7.1.2 WAH Effects” on page 37 to “FOOT CTL.”
2. Connect the footcontroller to the WAH port.

* You need an optional Yamaha insert I/O cable when you use a guitar volume pedal. (See page 6.)

6.3 FOOT SWITCH FUNCTIONS

• FS1 port

BYPASS (TUNE)

You can control BYPASS using the Yamaha FC5. Stepping on the FC5 toggles it between BYPASS ON/OFF. "TUNER" is selected when the FX770 is in Play mode and BYPASS is set to ON. This is very useful when you wish to use the tuner on stage.

1. Select "BYPASS (TUNE)" in 5.3 FS1 function" on page 24.
2. Save the data if necessary.
3. Connect the footswitch to the FS1 port.

• FS2 port

Recalling a Program

You can select a Program using the Yamaha FC5. Pressing the FC5 each time will increment or decrement the Program number one by one. You can also specify the range of the Program numbers that you can recall.

1. Re-store the Programs in the order you wish to recall, if necessary.
2. Set "PROGRAM: xxx → xxx" in "5.4 FS2 function" on page 25 and specify the range of the Program numbers you can recall.

ex.1) 62 → 65:

ex.2) 65 → 62:

3. Connect the footswitch to the [FS2] port.

• Selecting a Bank

You can select a Bank using the Yamaha FC5. Pressing the FC5 each time will change the Bank one by one in alphabetical order. You can also specify the range of Banks that you can recall. Using only the MFC05 or MFC06 to change the Programs allows you to recall only 10 (5) Programs. However, using this function allows you to recall 70 (35) Programs.

See "5.1 MIDI program change table" on page 23 for details about the Bank.

1. Refer to "5.1 MIDI program change table" on page 23 to map a MIDI program change.
2. Set "BANK: x → x" in "5.4 FS2 function" on page 25 and specify the range of the effective Banks.

ex.1) B → G:

ex.2) G → B:

3. Connect the footswitch to the [FS2] port.

• Switching the speed

You can change the MODE parameter of "MOD:ROT" by pressing the Yamaha FC5. The switching sequence is as follows:

→ STOP → SLOW → FAST → SLOW → STOP → SLOW → FAST

1. Select "EFFECT TRIGGER" in "5.4 FS2 function" on page 25 and specify the effective Bank title.

2. Set the effect type of MOD block to "ROT."
3. Connect the footswitch to the FS2 port.

• **Setting a TEMPO**

You can set the TEMPO parameter in the MOD block or DLY block using the Yamaha FC5. The interval between pressing the footswitch twice is used as a TEMPO parameter. MOD block and DLY block can operate simultaneously. This function is effective for the following effects.

MOD block: PAN, TRM

DLY block: TD1, TD2, TMD

When you press the footswitch while the LCD shows the parameter of the available effect block (a block for which this function is effective), the display shows a graph indicating that the time is being measured. Press the footswitch before this graph disappears to set the TEMPO parameter.

1. Select "EFFECT TRIGGER" in "5.4 FS2 function" on page 25.
2. Select the available effect type for the MOD block or DLY block. Change the TRG parameter to FS2.
3. Connect the footswitch to the FS2 port.

6.4 MIDI CONTROL

• Recalling a Program (PROGRAM CHANGE)

You may recall a Program of the FX770 using the MIDI device. You can use seven Banks (A-G) to assign the Program Change numbers output from the MIDI device to the FX770 Program numbers. You may also set the MIDI channel for each Bank.

1. Select and set a Bank in "5.1 MIDI Program Change Table" on page 23. You can select a Bank using the footswitch.
2. Set the channel in "5.5 MIDI Channel" on page 26 so that the channel will match that of the MIDI transmission device. Selecting "OMNI" will send the data on all channels.
3. Connect the MIDI transmission device to the MIDI IN port on the rear panel.

• Setting a TEMPO (MIDI CLOCK)

Like the FS2, you can use the MIDI clock transmitted from a sequencer or rhythm machine to set a TEMPO. You can select the effects that can be used with the FS2.

When the FX770 receives MIDI clock while the LCD shows the parameter of the available effect block, the indicator will flash on the display.

1. Select the available effect type for the MOD block or DLY block. Change the TRG parameter to MIDI.
2. Connect the MIDI transmission device to the MIDI IN port.

It takes a period of time equivalent to one eighth note for the FX770 to set the TEMPO parameter after the MIDI clock interval changes.

• Pitch change control (NOTE ON MESSAGE)

The FX770 receives a Note-on message from the MIDI device to control the PITCH PCL and PCR parameters.

1. Set the channel in "5.5 MIDI Channel" on page 26 so that the channel will match that of the MIDI transmission device. Selecting "OMNI" will send the data on all channels.
2. Set the KEY parameter in 7.1.6 on page 42.
3. Connect the MIDI transmission device to the MIDI IN port on the rear panel.

The difference in pitch between the Note-on message and the KEY parameter is used for the PCL and PCR parameters. These parameters have the following relationship:

When a Note-on message of a chord is sent, the PCL parameter uses the highest note, and the PCR parameter uses the second highest note.

This function works regardless of the Controller 1&2 settings "<<KEY NOTE." If you do not need this function, set the KEY parameter to OFF.

ex.) When the KEY parameter is set to C4:

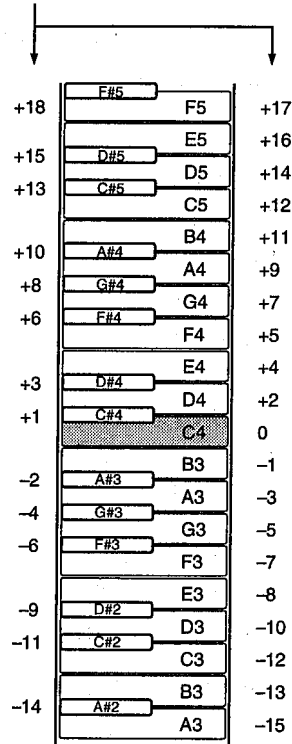
When the Note-on parameter is G4:

According to the diagram, the pitch difference between G4 and C4 is +7, which becomes the value of the PCL and PCR parameters.

When the Note-on parameter changes from G4 to E3:

The pitch difference between E3 and C4 is -8, which becomes the value of the PCL, PCR parameters.

Pitch difference (when the KEY parameter is C4): PCL, PCR parameters



• Parameter control (CONTROL CHANGE, etc.)

The FX770 can receive two Control Change messages simultaneously. This means that you can change two parameters of the effects being used in performance at the same time. In this way, you can add a variety of nuances in real time.

1. Set the channel in "5.5 MIDI Channel" on page 26 so that the channel will match that of the MIDI transmission device. Selecting "OMNI" will send the data on all channels.
2. Set the MIDI CTRL Source ("5.6 MIDI Controller 1 & 2 Source Assignment" on page 26) to match the control number of the MIDI transmission device.
3. Select the parameter you wish to control in "4.6 MIDI Controller 1 & 2 Effect Target" on page 19, and set the range.
4. Connect the MIDI transmission device to the MIDI IN port on the rear panel.

Controller 1 and 2 have the same function. However, you cannot select the same parameter for both controllers simultaneously.

Select a Control number from the following options.

Number	MIDI Controller
OFF	
1	Modulation wheel
2	Breath control
3	Undefined
4	Footcontroller
5	Portamento time
6	Data entry
7	Main volume
8	Balance control
9	Undefined

Number	MIDI Controller
10	Panpot
11	Expression
12-15	Undefined
16-19	General devices
20-31	Undefined
64	Sustain pedal
65	Portamento
66	Sostenuto
67	Soft pedal
68	Undefined

Number	Controller
69	Hold 2
70-79	Undefined
80-83	General device
84-91	Undefined
92	Tremolo depth
93	Chorus depth
94	Celeste depth
95	Phaser depth
<<	Key note
<<	Key velocity
<<	Channel pressure

- **Volume control (CONTROL CHANGE, ACTIVE SENSING)**

The FX770 has a volume (MIDI volume) independent from Programs. You cannot edit this volume level as a parameter, but you can control it using MIDI Control Change message. This volume always follows the most recent Control message, and does not change its value when another Program is recalled.

1. Set the channel in "5.5 MIDI Channel" on page 26 so the channel matches that of the MIDI transmission device. Selecting "OMNI" will send the data on all channels.
2. Set the MIDI CTRL Source ("5.6 MIDI Controller 1 & 2 Source Assignment" on page 26) to match the control number of the MIDI transmission device.
3. Select "VOLUME" in "4.6 MIDI Controller 1 & 2 Effect Target" on page 19, and set the range.
4. Set the volume position in "4.4 FC1 Volume Control Position" on page 17.
5. Connect the MIDI transmission device to the MIDI IN port on the rear panel.

The setting in "4.4 FC1 Volume Control Position" also affects the volume controlled through the VOLUME port. That is, there are two volume controls at one position.

Set the MIDI volume level to its maximum in the following cases to prevent the volume from remaining unexpectedly low.

- When the power is turned on
- When you recalled a Program that does not use the MIDI volume
- When you changed a Program so that it will not use the MIDI volume
- When you changed the MIDI volume controller setting
- When the MIDI cable was disconnected (Active Sensing was interrupted)
- When the MIDI signal is not being transmitted correctly

- **Using the MFC06 to turn the effect on/off**

You can use the Yamaha MFC06 (Footcontroller) to turn the FX770 effects on/off. Assign switches 1-5 of the MFC06 to 9 effect blocks of the FX770.

1. Set the MIDI channel ("5.5 MIDI Channel" on page 26) to "OMNI" or "1."
2. Set the effect on/off assignment ("5.7 MFC06 Effect On/Off Assignment" on page 27).
3. Connect the MFC06 to the MIDI IN port of the rear panel.

- **Bulk Dump (EXCLUSIVE MESSAGE)**

You can send three types of Bulk Dump message; Memory, Bank, and System. The FX770 can receive them in Play mode and Edit mode. The received data is used to change the current settings inside the FX770.

MEMORY: Writes the received Program into the specified Program number.
BANK: Writes the received data into the specified BANK.
SYSTEM: Writes the received data to the basic FX770 settings usually found in Utility mode.

1. Set the channel in "5.5 MIDI Channel" on page 26 so that the channel will match that in the Bulk Dump data. Selecting "OMNI" will send the data on all channels.
2. Connect the MIDI transmission device to the MIDI IN port on the rear panel.

Send the Bulk Dump message in "5.8 MIDI Bulk Data Output" on page 27.

You can connect two FX770s to swap the data. In this case, set the MIDI channel on both units to the same number.

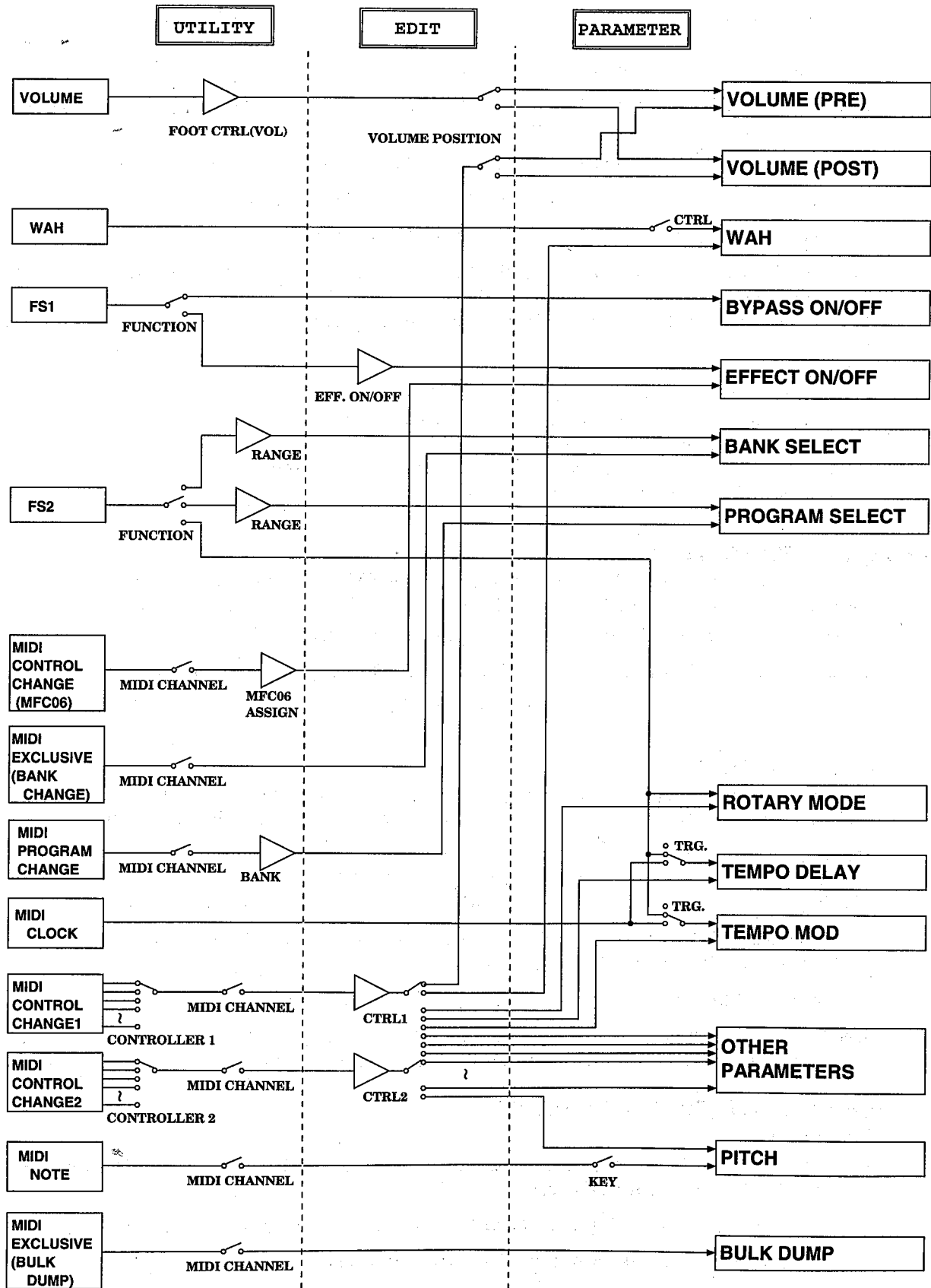
- **Switching the Bank (EXCLUSIVE MESSAGE)**

Switches the Bank.

1. Set the channel in "5.5 MIDI Channel" on page 26 so the channel matches that in the Bulk Dump data. Selecting "OMNI" will send the data on all channels.
2. Connect the MIDI transmission device to the MIDI IN port on the rear panel.

The FX770 cannot send a message to switch the Bank. Use a computer to do this.

6.5 FX770 EXTERNAL CONTROL DIAGRAM



Section 7: Reference

This Section includes brief descriptions of each of the FX770 Effects and Effect Types, as well as descriptions of the parameters available in each Effect. Also included is a Preset Programs Guide that will help you understand how and why the Presets sound like they do, and special Programming Tips and Notes. Please read this section once thoroughly so you'll know what the FX770 is capable of, then use this section as a reference source to answer occasional questions.

7.1 EFFECT GROUP PARAMETERS

This section shows all of the LCD "Pages" of each Effect Type including its list of parameters with parameter names and value ranges. There are many different effects within the FX770, and we hope that you'll find a use for each in one application or another. The best way to learn about all of the effect types is to set-up your FX770, and then sit with this section and look at each of the effects one at a time.

7.1.1 COMPRESSOR/LIMITER

From the days of the “stomp box” pedal effects to the current use of rack mount devices, the Compressor has been a vital tool for the guitarist. The FX770 features a classic Compressor designed especially for guitar (just like your favorite “stomp box”), and a modern Limiter to fill your contemporary “rack mount” sound needs.

Type 1 & 2: CO1 (compressor 1), CO2 (Compressor 2)

Compressor CO2 has a much deeper effect than the CO1.

Page 1

COx	ATK	SUS	LVL
xxx	xxx	xxx	xxx

Parameter #	Name	Function	Value/Range
Parameter 1	ATK	Attack Time	0 ~ 20
Parameter 2	SUS	Sustain	0 ~ 100
Parameter 3	LVL	Output level	-∞, -30 ~ +6 [dB]

Notes:

- Attack Time** Determines how long it takes for compression to begin after an input signal is detected. A higher value emphasizes the attack.
- Sustain** Determines how long it takes for the compression to be released after the input signal drops.
- Output Level** Balances out the volume level when the Compressor/Limiter Effect Block is being used. (Set this level carefully! Usually, try to set the Volume level of the Comp/Lim effect block to be the same whether the effect is in or out of the signal chain) . However, another technique is to raise the level here so that distortion will be more effective.

Type 3 LIM (Limiter)

Page1

LIM	ATK	SUS	LVL
xxx	xxx	xxx	xxx

Parameter #	Name	Function	Value/Range
Parameter 1	ATK	Attack Time	0 ~ 20
Parameter 2	SUS	Sustain	0 ~ 100
Parameter 3	LVL	Output level	-∞, -30 ~ +6 [dB]

Notes:

- Attack Time** Determines how long it takes for compression to begin after an input signal is detected. A higher value emphasizes the attack.
- Sustain** Determines how long it takes for the compression to be released after the input signal drops.
- Output Level** Balances out the volume level when the Compressor/Limiter Effect Block is being used. (Set this level carefully! Usually, volume should be Volume should be set to be the same when CMP/LIM is in or out) in or out). However, another technique is to raise the level here so that distortion will be more effective.

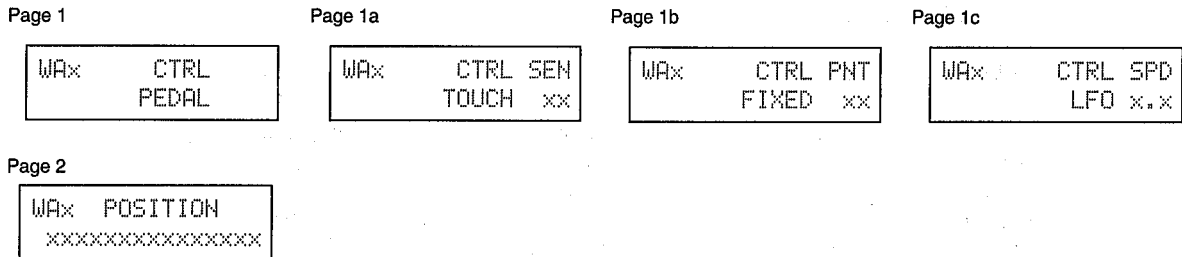
7.1.2 WAH EFFECTS

No other effect defines the era of “classic rock” better than the WAH. This effect single-handedly turned many guitarists into Guitar Heroes. The FX770 features not one, but three great WAH effect Types. All of the WAH effect types may be controlled by your foot (via the WAH foot controller input), by sensitivity (guitar input), placed in a fixed position or be set to become an Auto WAH (LFO).

Type 1 & 2: WA1 (WAH 1) WA2 (WAH 2)

Both WA1 and WA2 are band-pass filter type wah.

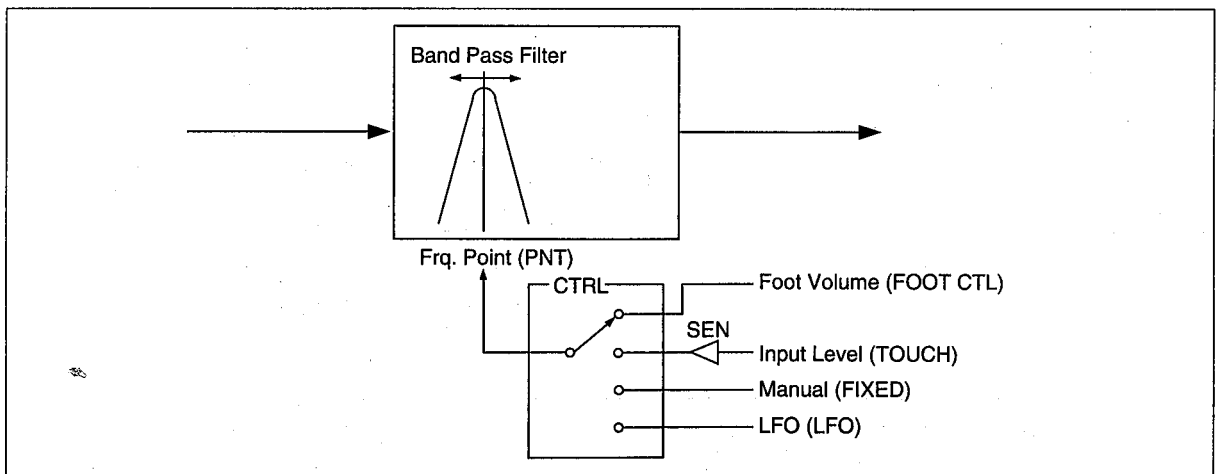
WA1 simulates a classic wah pedal, and WA2 has a wider frequency band.



Parameter #	Name	Function	Value/Range
Parameter 1	CTRL	Controller	PEDAL, TOUCH, FIXED, LFO
Parameter 1a	SEN	Sensitivity	0 ~ 8
Parameter 1b	PNT	Fix Point	0 ~ 63
Parameter 1c	SPD	LFO Speed	0.1 ~ 9.9 [Hz]
Parameter 2	POSITION	WAH Position	WAH→EXT→PREAMP (WAH→PREAMP→EXT) EXT→PREAMP→WAH (PREAMP→EXT→WAH)

Notes:

- Controller**
 - PEDAL** Determines the source of WAH control. Foot controller FC7 or guitar volume pedal* connected to the WAH port on the rear panel.
 - TOUCH** Picking intensity
 - FIXED** Fixed frequency
 - LFO** Internal LFO
- Sensitivity** Sets the threshold of the Input sensitive touch WAH.
- Fix Point** Sets the notch/boost frequency of a stationary WAH.
- LFO Speed** Determines the rate at which the WAH will sweep automatically.
- Position** Selects the placement of the WAH in the signal flow chain.



* You will need an insert I/O cable if you use a guitar volume pedal. (See Page 6)

Type 3: WA3 (WAH 3)

WA3 is a low-pass filter type wah.

Page 1

```
WA3 CTRL RES
PEDAL   xxx
```

Page 1a

```
WA3 CTRL SEN RES
TOUCH  xx xxx
```

Page 1b

```
WA3 CTRL PNT RES
FIXED  xx xxx
```

Page 1c

```
WA3 CTRL SPD RES
LFO   x.x xxx
```

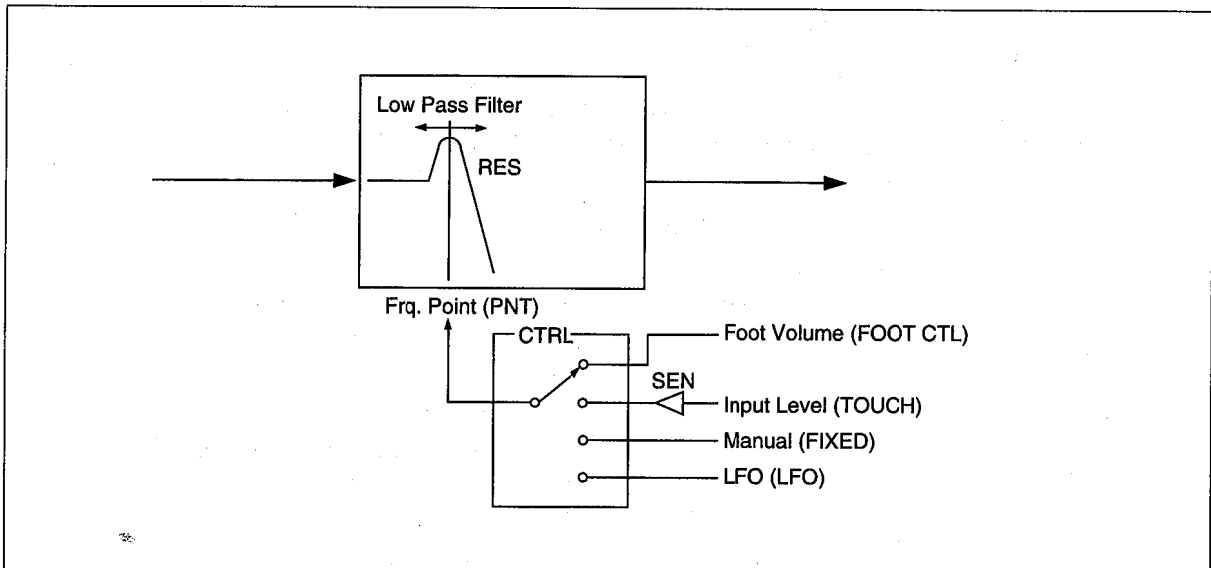
Page 2

```
WA3 POSITION
xxxxxxxxxxxxxxxx
```

Parameter #	Name	Function	Value/Range
Parameter 1	CTRL	Controller	PEDAL, TOUCH, FIXED, LFO
Parameter 1a	SEN	Sensitivity	0 ~ 8
Parameter 1b	PNT	Fix Point	0 ~ 63
Parameter 1c	SPD	LFO Speed	0.1 ~ 9.9 [Hz]
Parameter 2	RES	Resonance	1 ~ 100
Parameter 3	POSITION	WAH Position	WAH→EXT→PREAMP (WAH→PREAMP→EXT) EXT→PREAMP→WAH (PREAMP→EXT→WAH)

Notes:

- Controller** Determines the source of WAH control.
 - PEDAL** Foot controller FC7 or guitar volume pedal* connected to the WAH port on the rear panel.
 - TOUCH** Picking intensity
 - FIXED** Fixed frequency
 - LFO** Internal LFO
- Sensitivity** Sets the threshold of the Input sensitive touch WAH.
- Fix Point** Sets the notch/boost frequency of a stationary WAH.
- LFO Speed** Determines the rate at which the WAH will sweep automatically.
- Resonance** Controls the voicing of the WAH filter.
- Position** Selects the placement of the WAH in the signal flow chain.



* You need an optional Yamaha insert I/O cable when you use a guitar volume pedal. (See page 6.)

7.1.3 PREAMP

The preamp can be an “all-digital version of a high-quality rack preamp” which differs from the usual overdrive/distortion. The FX770 has tone controls (bass, mid, treble, presence) and pre/post EQ, as well as six drive channels and a clean channel, thus allowing you to create any type of sound.

Type 1: DS1, 2, 3 (Distortion 1,2,3)

Type 4, 5: OD1 & OD2 (Overdrive 1 & 2)

Type 6: CRN (Crunch)

Type 7: CLN (Clean)

‡ Some CLN parameters are not displayed.

1) Tone Control: Type1 and Type2

Page 1

```
xxx DRV MUL TONE
xxx xxx TYP1
TYP2
```

Page 2

```
xxx BAS MID TRB
TONE xxx xxx xxx
```

Page 3

```
xxx PRS FIL
TONE xxx xxx
```

Page 4

```
xxx FRQ GAI Q
PrEQxxxx xxx xxx
```

Page 5

```
xxx FRQ GAI Q
PrEQxxxx xxx xxx
```

2) Tone Control: User

Page 1

```
xxx DRV MUL TONE
xxx xxx USER
```

Page 2

```
xxx FRQ Q LVL
BAS xxx xxx xxx
```

Page 3

```
xxx FRQ Q LVL
MID xxx xxx xxx
```

Page 4

```
xxx FRQ Q LVL
TRB xxx xxx xxx
```

Page 5

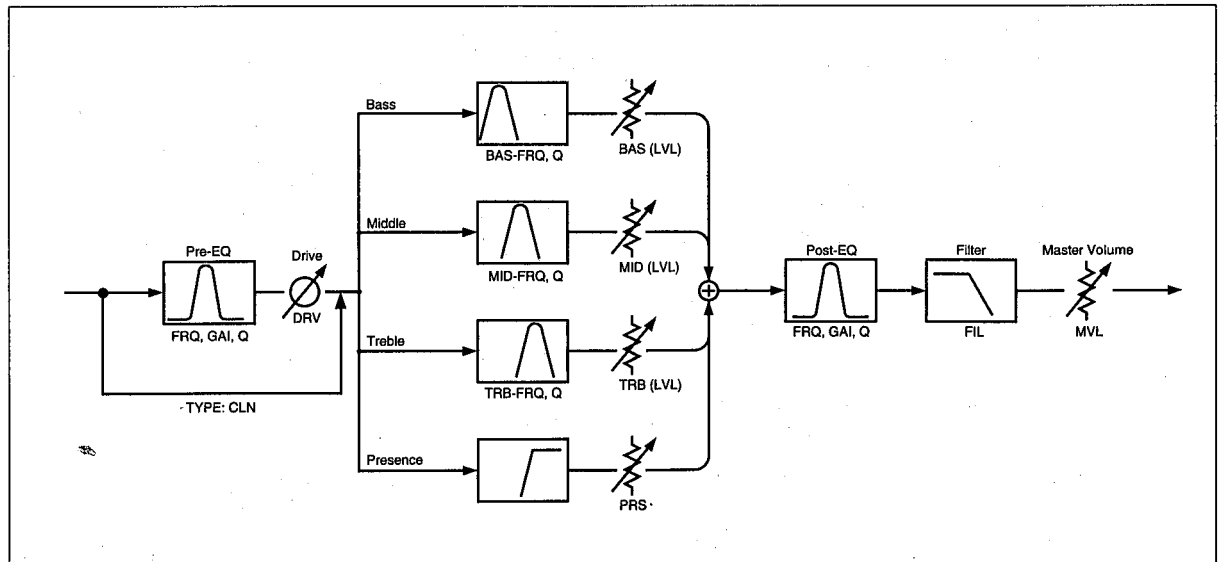
```
xxx PRS FIL
TONE xxx xxx
```

Page 6

```
xxx FRQ GAI Q
PrEQxxxx xxx xxx
```

Page 7

```
xxx FRQ GAI Q
PrEQxxxx xxx xxx
```



Section 7: Reference

<i>Parameter</i>	<i>Name</i>	<i>Function</i>	<i>Value/Range</i>
Parameter 1	DRV	Preamp Drive	0 ~ 100
Parameter 2	MVL	Master Volume	0 ~ 100
Parameter 3	TONE	Tone Control Type	TYP1, TYP2, USER
• TONE=TYP1, TYP2			
Parameter 4	BAS	Bass tone control	0 ~ 100
Parameter 5	MID	Middle tone control	0 ~ 100
Parameter 6	TRB	Treble tone control	0 ~ 100
• TONE=USER			
Parameter 4	BAS FRQ	Bass Frequency	20 ~ 1.0k [Hz]
Parameter 5	BAS Q	Bass Q	.10 ~ 10
Parameter 6	BAS LVL	Bass Level	0 ~ 100
Parameter 7	MID FRQ	Middle Frequency	200 ~ 3.2k [Hz]
Parameter 8	MID Q	Middle Q	.10 ~ 10
Parameter 9	MID LVL	Middle Level	0 ~ 100
Parameter 10	TRB FRQ	Treble Frequency	1.0 ~ 10k [Hz]
Parameter 11	TRB Q	Treble Q	.10 ~ 10
Parameter 12	TRB LVL	Treble Level	0 ~ 100
Parameter 13	PRS	Presence	0 ~ 100
Parameter 14	FIL	Filter	-15 ~ +15
Parameter 15	PrEQ FRQ	Pre-EQ Frequency	20 ~ 16k [Hz]
Parameter 18	PrEQ GAI	Pre-EQ Gain	-15 ~ +15 [dB]
Parameter 17	PrEQ Q	Pre-EQ Q	.10 ~ 10
Parameter 18	PsEQ FRQ	Post-EQ Frequency	20 ~ 16k [Hz]
Parameter 19	PsEQ GAI	Post-EQ Gain	-15 ~ +15 [dB]
Parameter 20	PsEQ Q	Post-EQ Q	.10 ~ 10

Notes:

Preamp Drive	Determines the amount of Preamp Gain/Saturation/Distortion.
Master Volume	Sets the Master Volume for this Preamp setting.
Tone Type	Selects between TYP1 (British) , TYP2 (American) , or USER
• TYP1, TYP2	
Bass Tone	Controls the level of Bass (just like an amp).
Middle Tone	Controls the level of Middle (just like an amp).
Treble Tone	Controls the level of Treble (just like an amp).
• USER	
Bass Frequency	Determines the location (frequency) of the USER Bass Tone Control
Bass Q	Sets the width of the Bass Tone Control
Bass Level	Controls the level of Bass Tone Control
Middle Frequency	Determines the location (frequency) of the USER Middle Tone Control
Middle Q	Sets the width of the Middle Tone Control
Middle Level	Controls the level of Treble Tone Control
Treble Frequency	Determines the location (frequency) of the USER Treble Tone Control
Treble Q	Sets the width of the Treble Tone Control
Treble Level	Controls the level of Treble Tone Control
Presence Tone	Controls the level of Presence
Filter	A modern "Top Boost" or Cut.
Pre-EQ Frequency	Determines the frequency of the EQ located before the Preamp Drive.
Pre-EQ Gain	Sets the level of this EQ
Pre-EQ Q	Controls the width of this EQ.
Post-EQ Frequency	Determines the frequency of the EQ located after the Main Tone controls.
Post-EQ Gain	Sets the level of this EQ
Post-EQ Q	Controls the width of this EQ.

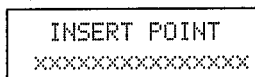
7.1.4 INSERT POINT

Have you ever had a favorite old effect or preamp that you'd like to use with your new gear? We thought you might, so we've included an external effect loop called Insert. This programmable loop can be placed in 4 different points within the signal path. Each Program can have the Insert loop in or out, and each Program can have the Insert loop in a different location.

The loop return volume control is on the Rear Panel and it's level is not programmable. Please take care to set this level properly as to not overdrive the loop return and the Effects that follow.

Insert Point

Page 1



Parameter	Name	Function	Value/Range
Parameter 1	Insert Point	Loop Location	WAH→EXT→PREAMP (WAH→PREAMP→EXT) EXT→PREAMP→WAH (PREAMP→EXT→WAH)

Notes:

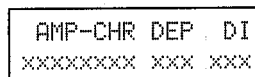
Insert Point Determines the location of the External Loop in the signal path.

7.1.5 AMP SIMULATOR

The Amp Simulator is the “icing-on-the-cake”! This is where you can put the final touches on the amazing Preamp tones created earlier. The Amp Simulator features 9 different types of Amp/Speaker emulation and a special DI filter for “direct recording” or “direct performance” applications.

AMP SIM (Amp simulator)

Page 1



Parameter	Name	Function	Value/Range
Parameter 1	AMP-CHR	Amp Character	STK-M1, STK-M2, THRASH, MIDBOOST, CMB-PG, CMB-VR, CMB-DX, CMBPTMN, MINIAMP
Parameter 2	DEP	Depth	0 ~ 100 [%]
Parameter 3	DI	DI Filter	ON/OFF

Notes:

Amp Character Selects the type of Amp Simulator to be applied.

STK-M1 Typical vintage stack amp sound.

STK-M2 Powerful three-stage stack amp sound.

THRASH Thrash sound used by thrash metal bands.

MIDBOOST The mid range has character.

CMB-PG Simulation of Yamaha PG1, a popular former preamp.

CMB-VR Simulates the VR6000.

CMB-DX Vintage combo amp with the rear of the cabinet open and the speaker exposed.

CMB-TWN Typical American combo amp sound.

MINIAMP Mini amp sound with an output of 10W or less.

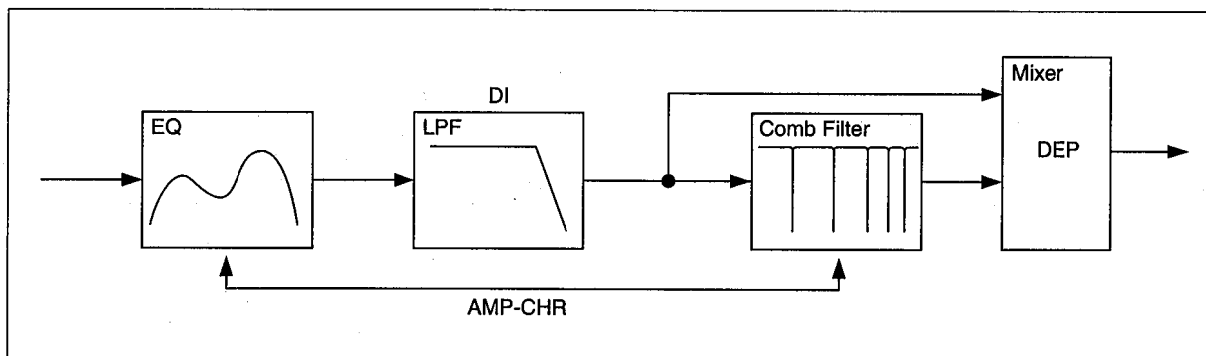
Depth Determines how much of the selected Amp Character will be mixed in the sound.

DI Filter Can be switched on or off, depending on your application. (see details below)

Special Note For DI Applications

The FX770 contains a special DI Filter that emulates the natural high-frequency rolloff that a guitar speaker cabinet produces. When using the FX770 “direct” into a mixing console or when using “full-range” monitors (studio monitors), turn the DI Filter On to eliminate the extra high-frequencies that are normally filtered out by a guitar speaker.

This special feature will benefit any Program that you have created for a guitar amplifier. With the DI Filter Off, you can use the FX770 “live” with a guitar amp or a power amp and guitar cabs. In the studio or at home, you may use the same Program “direct” by engaging the DI Filter (turning it on), and the FX770 will automatically “voice” the Program for full-range listening.



7.1.6 PITCH EFFECTS

The FX770 contains two types of Pitch effects: Stereo Pitch Change and Pitch Chorus. The Stereo Pitch Change is capable of producing a separate left and right pitch ranging from an octave below to an octave above the original note, and complete fine-tuning and mixing features are included. The Pitch Chorus is great for producing a detuned “double tracked” chorus effect. Using the Pitch Chorus and it’s quick delay parameters will instantly “fatten” any Program you have created (especially great for Solo sounds).

Type 1: SPI (Stereo Pitch Change)

Page 1

```
SPI PCL PFL VoLR
  XXX XXX XXX
```

Page 2

```
SPI PCR PFR VoLR
  XXX XXX XXX
```

Page 3

```
SPI WID MIX LVL
  XX XXX XXX
```

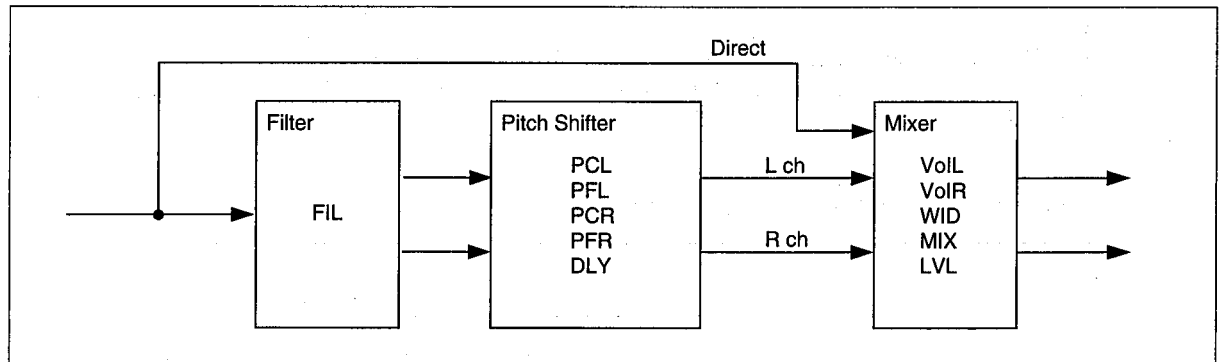
Page 4

```
SPI DLY FIL KEY
  XX.X XXX XXX
```

Parameter #	Name	Function	Value/Range
Parameter 1	PCL	Pitch Change Left	-12 ~ +12 [Semitones]
Parameter 2	PFL	Fine Tune Left	-99 ~ +99 [cents]
Parameter 3	VoLR	Volume Left	0 ~ 100
Parameter 4	PCR	Pitch Change Right	-12 ~ +12
Parameter 5	PFR	Fine Tune Right	-99 ~ +99
Parameter 6	VoIR	Volume Right	0 ~ 100
Parameter 7	WID	Sound Image Width	0 ~ 10
Parameter 8	MIX	Mix Balance	0 ~ 100 [%]
Parameter 9	LVL	Output Level	-∞, -30 ~ +6 [dB]
Parameter 10	DLY	Delay Time	0.1 ~ 50.0 [msec]
Parameter 11	FIL	Filter	-30 ~ +10
Parameter 12	KEY	MIDI Base Key	OFF, C1 ~ C6

Notes:

Pitch Change Left	Coarse adjustment for the pitch of the Left channel.
Fine Tune Left	Fine tunes the pitch of the Left channel.
Volume Left	Controls the level of the Left channel.
Pitch Change Right	Coarse adjustment for the pitch of the Right channel.
Fine Tune Right	Fine tunes the pitch of the Right channel.
Volume Right	Controls the level of the Right channel.
Sound Image Width	Determines the stereo image of the output.
Mix Balance	Mixes between the Dry (unaffected = 0) signal and the Pitch effect (100 %)
Output Level	Overall Level of this Effect Block
Delay Time	Sets the delay time of the Left and Right Pitch.
Filter	A "tone control" for the Pitch effects.
MIDI Base Key	Note-on message for MIDI instrument, allowing you to control the value of PCL and PCR parameters. Difference in pitch between the note set here and the note of the received MIDI note-on message is regarded as the amount of pitch shift. (common to both L&R).



Type 2: PCH (Pitch Chorus)

Page 1

```
PCH DEP MIX LVL
  XXX XXX XXX
```

Page 2

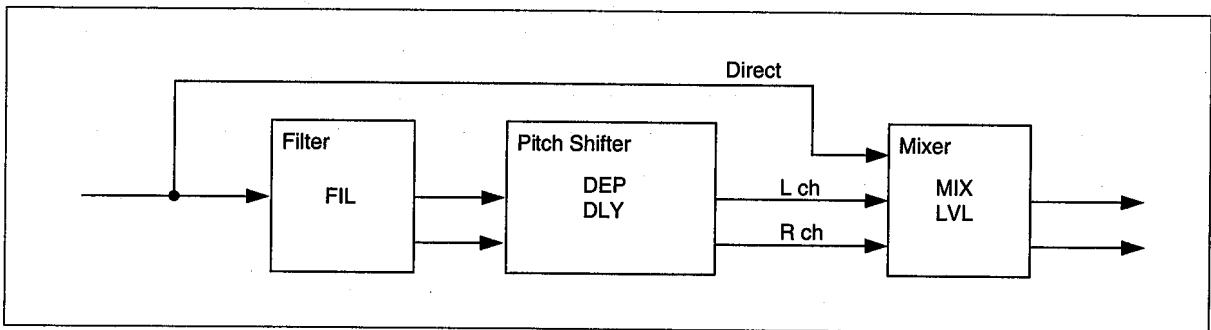
```
PCH      DLY FIL
  XX.X  XXX
```

Parameter #	Name	Function	Value/Range
Parameter 1	DEP	Effect Depth	0 ~ 100 [%]
Parameter 2	MIX	Mix Balance	0 ~ 100 [%]
Parameter 3	LVL	Output Level	$-\infty$, -30 ~ +6 [dB]
Parameter 4	DLY	Delay Time	0.1 ~ 50.0 [msec]
Parameter 5	FIL	Filter	-10 ~ +10

Notes:

Effect Depth Determines the amount of detuning for the Pitch Chorus.
Mix Balance Mixes between the Dry signal and the Chorus effect (Setting this to 100% will produce only the chorus effect.)
Output Level Overall Level of this Effect Block

Delay Time Sets the delay time of the Pitch Chorus.
Filter A "tone control" for the Pitch effects.



7.1.7 MODULATION EFFECTS (MOD)

The FX770 contains seven different types of modulation effects: Stereo Chorus, Stereo Flanger, Symphonic, Rotary Speaker, Auto Pan, Tremolo, and Resonator. Each of these effects are capable of creating, or adding, dramatic textures to your sound.

Chorus

Embraced by modern and vintage guitarists alike, Chorus may be the most widely used modulation effect today. Here you'll find a versatile and great sounding Chorus with lots of control, so you can decide what kind of Chorus make you happy.

Type 1: CHO (Stereo Chorus)

Page 1

```
CHO SPD PMD AMD
  XX.X XXX XXXX
```

Page 2

```
CHO WID MIX LVL
  XX XXX XXXX
```

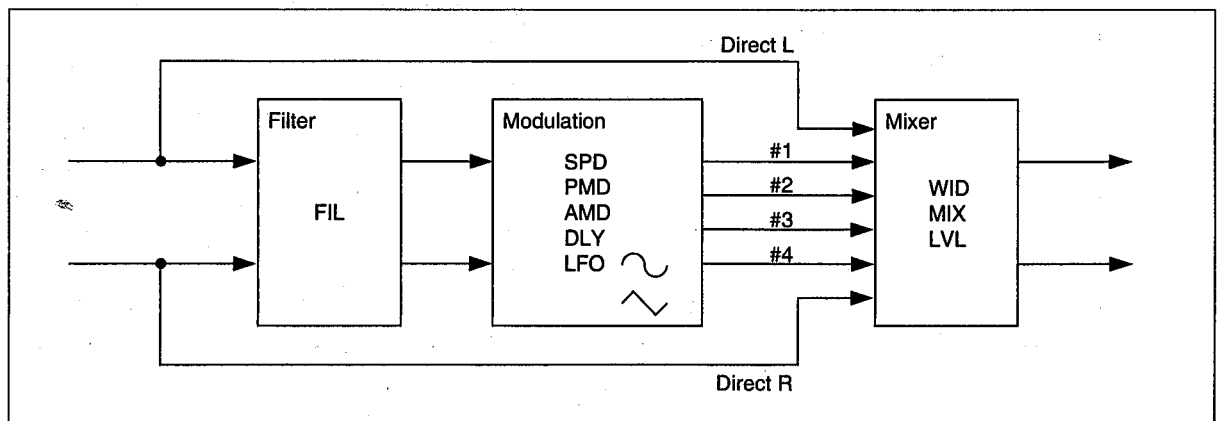
Page 3

```
CHO DLY LFO FIL
  XXX.X XXX XXXX
```

Parameter #	Name	Function	Value/Range
Parameter 1	SPD	Modulation Speed	0.1 ~ 20.0 [Hz]
Parameter 2	PMD	Pitch Modulation Depth	0 ~ 100 [%]
Parameter 3	AMD	Amp Modulation Depth	0 ~ 100 [%]
Parameter 4	WID	Sound Image Width	0 ~ 10
Parameter 5	MIX	Mix Balance	0 ~ 100 [%]
Parameter 6	LVL	Output Level	$-\infty$, -30 ~ +6 [dB]
Parameter 7	DLY	Delay Time	0.1 ~ 100.0 [msec]
Parameter 8	LFO	LFO Wave Form	TRI, SIN
Parameter 9	FIL	Filter	-10 ~ +10

Notes:

- Modulation Speed** Sets the speed of the LFO to produce the modulation wave, thus changing the modulation speed of the Chorus effect.
- Pitch Modulation** Controls the depth of the Pitch modulation.
- Amp Modulation** Controls the depth of the Amplitude modulation.
- Sound Image Width** Determines the stereo image of the output.
- Mix Balance** Mixes between the Dry signal and the Chorus effect (Setting this to 100% will produce only the chorus effect.)
- Output Level** Overall Level of this Effect Block.
- Delay Time** Sets the delay time of the Modulation.
- LFO Wave Form** Determines the type of LFO Wave Form: Triangle (TRI) or Sine (SIN).
- Filter** A "tone control" for the Chorus.



Stereo Flanger

Whether it's a subtle swoosh or the exaggerated "jet fly-by", the Flanger has a unique voice in the modulation world. Created by accident in the 60's, and faithfully produced in the 90's, the Stereo Flanger of the FX770 is a wonderful effect!

Type 2: FLG (Stereo Flanger)

Page 1

```

FLG      SPD DEP
      XX.X XXX
    
```

Page 2

```

FLG DLY FB WID
  XXX.X XXX XX
    
```

Page 3

```

FLG      MIX LVL
      XXX XXX
    
```

Page 4

```

FLG      LFO FIL
      XXX XXX
    
```

Parameter #	Name	Function	Value/Range
Parameter 1	SPD	Modulation Speed	0.1 ~ 20.0 [Hz]
Parameter 2	DEP	Modulation Depth	0 ~ 100 [%]
Parameter 3	DLY	Delay Time	0.1 ~ 100.0 [msec]
Parameter 4	FB	Feedback Level	0 ~ 100 [%]
Parameter 5	WID	Sound Image Width	0 ~ 10
Parameter 6	MIX	Mix Balance	0 ~ 100 [%]
Parameter 7	LVL	Output Level	-∞, -30 ~ +6 [dB]
Parameter 8	LFO	LFO Wave Form	TRI, SIN
Parameter 9	FIL	Filter	-10 ~ +10

Notes:

Modulation Speed Sets the speed of the LFO to produce the modulation wave, thus changing the modulation speed of the Flanging effect.

Modulation Depth Controls the depth of the Modulation.

Delay Time Sets the delay time of the Modulation. Controls the flanger's sweep range.

Feedback level Determines the amount of feedback. Controls the volume level of the flanger's sweep.

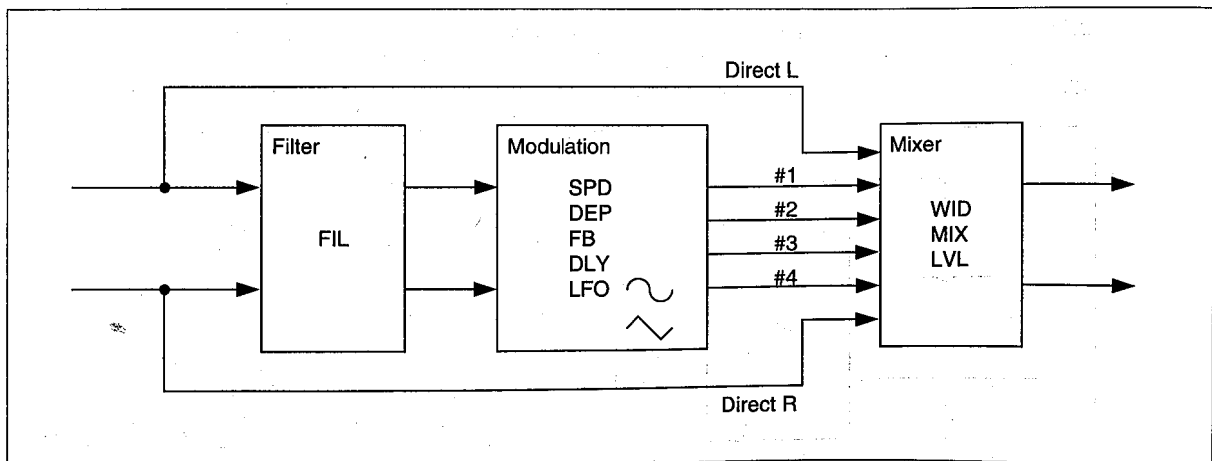
Sound Image Width Determines the stereo image of the output.

Mix Balance Mixes between the Dry signal and the Flanger effect (Setting this to 100% will produce only the chorus effect.)

Output Level Overall Level of this Effect Block.

LFO Wave Form Determines the type of LFO Wave Form: Triangle (TRI) or Sine (SIN).

Filter A "tone control" for the Flanger.

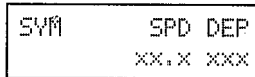


Symphonic

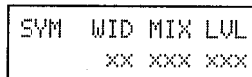
Born in the "SPX" generation, the Symphonic effect gives a warm and lush shimmer to your sound. This is where modulation matured!

Type 3: SYM (Symphonic)

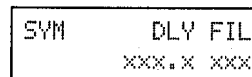
Page 1



Page 2



Page 3



Parameter #	Name	Function	Value/Range
Parameter 1	SPD	Modulation Speed	0.1 ~ 20.0 [Hz]
Parameter 2	DEP	Modulation Depth	0 ~ 100 [%]
Parameter 3	WID	Sound Image Width	0 ~ 10
Parameter 4	MIX	Mix Balance	0 ~ 100 [%]
Parameter 5	LVL	Output Level	-∞, -30 ~ +6 [dB]
Parameter 6	DLY	Delay Time	0.1 ~ 100.0 [msec]
Parameter 7	FIL	Filter	-10 ~ +10

Notes:

Modulation Speed Sets the speed of the LFO to produce the modulation wave, thus changing the modulation speed of the Flanging effect.

Modulation Depth Controls the depth of the Modulation.

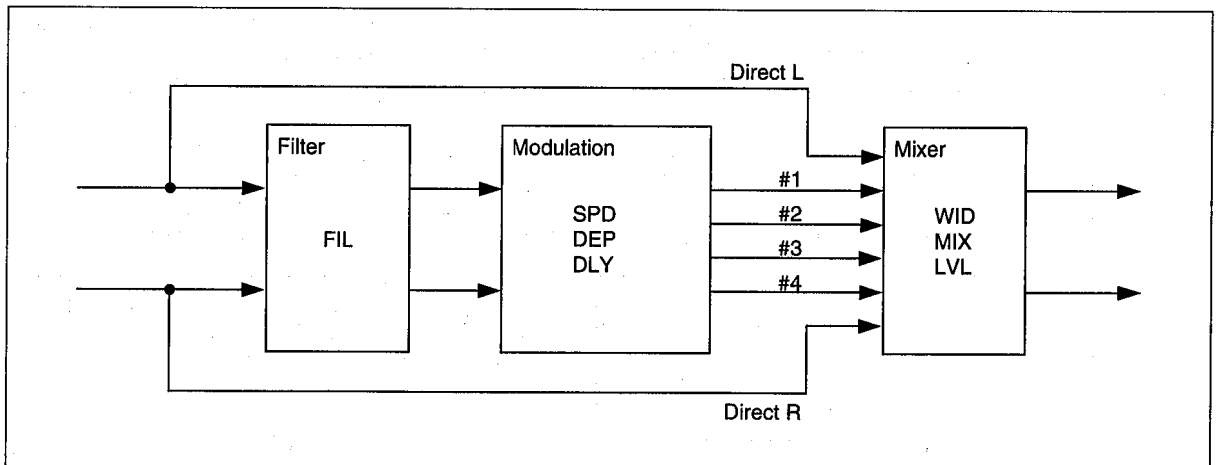
Sound Image Width Determines the stereo image of the output.

Mix Balance Mixes between the Dry signal and the Symphonic effect (Setting this to 100% will produce only the chorus effect.)

Output Level Overall Level of this Effect Block.

Delay Time Sets the delay time of the Modulation.

Filter A "tone control" for the Symphonic Effect.



Rotary Speaker

Someone, somewhere, once wondered: What if I plug my guitar into that rotary speaker cabinet that belongs to the organ player? Well, with that question came a new discovery for guitarists, the rich swirling of sound called Rotary. The FX770 knows this sound very well and is happy to produce it at your command. Enjoy!

Type 4: ROT (Rotary Speaker)

Page 1

```

ROT MODE MIX LVL
XXXX XXX XXX
    
```

Page 2

```

ROT SLOW FAST
  X.X X.X
    
```

Page 3

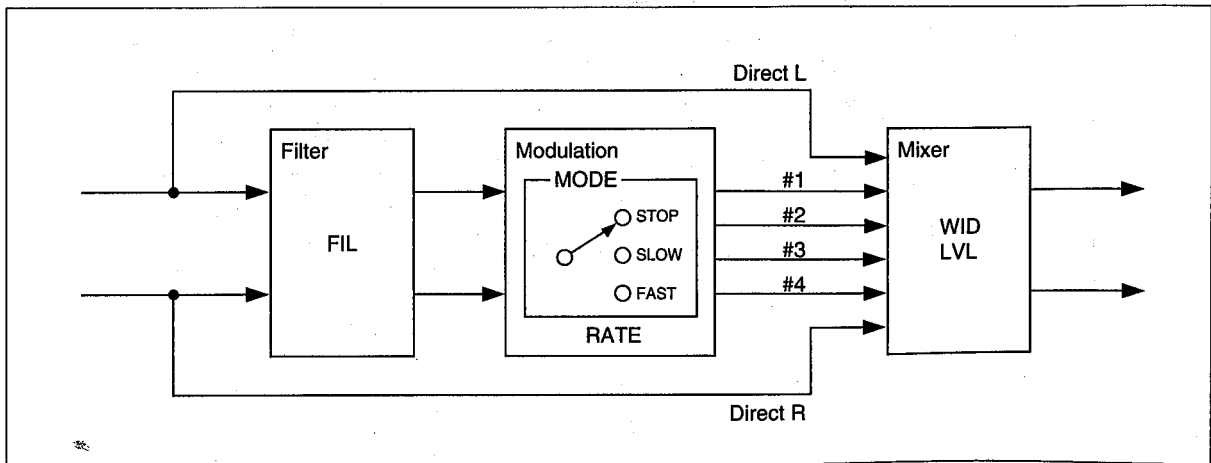
```

ROT RATE FIL
  XX XXX
    
```

Parameter #	Name	Function	Value/Range
Parameter 1	MODE	Speed Mode Select	STOP, SLOW, FAST
Parameter 2	MIX	Mix Balance	0 ~ 100 [%]
Parameter 3	LVL	Output Level	-∞; -30 ~ +6 [dB]
Parameter 4	SLOW	Slow Mode Speed	0.1 ~ 5.3 [Hz]
Parameter 5	FAST	Fast Mode Speed	0.1 ~ 5.3 [Hz]
Parameter 6	RATE	Speed Change Rate	0 ~ 10
Parameter 7	FIL	Filter	-10 ~ +10

Notes:

- Speed Mode Select** Selects the speed Mode: May start at Off, Slow or Fast you can change the mode using a footswitch during performance.
- Mix Balance** Mixes between the Dry signal and the Effected signal (Setting this to 100% will produce only the chorus effect.)
- Output Level** Overall Level of this Effect Block
- Slow Mode Speed** Sets the speed for the Slow Mode
- Fast Mode Speed** Sets the speed for the Fast Mode
- Rate** Sets the rate (time) that it takes for the speed change to complete once the mode is switched.
- Filter** A "tone control" for the Rotary Speaker Effect.
The Mode parameter can also be controlled using a footswitch setup as FS2. Repeated pressing will step through the available Mode settings: Stop → Slow → Fast → Stop, and so on.



Panning Effects

P - A - N - N - I - N - G ! What a wonderful way to spread out your sound. Whether used to give broadness to a ballad, or for creating wild stereo effects, the Auto Pan of the FX770 is the guitarists ticket to the fourth dimension!

Type 5: PAN (AUTO PAN)

Page 1

```
PAN  TEMPO NOTE
      ↓=xxx (xx)
```

Page 2

```
PAN  DEP MIX LVL
      xxx xxx xxx
```

Page 3

```
PAN  TRG DIR LFO
      xxx xxx xxx
```

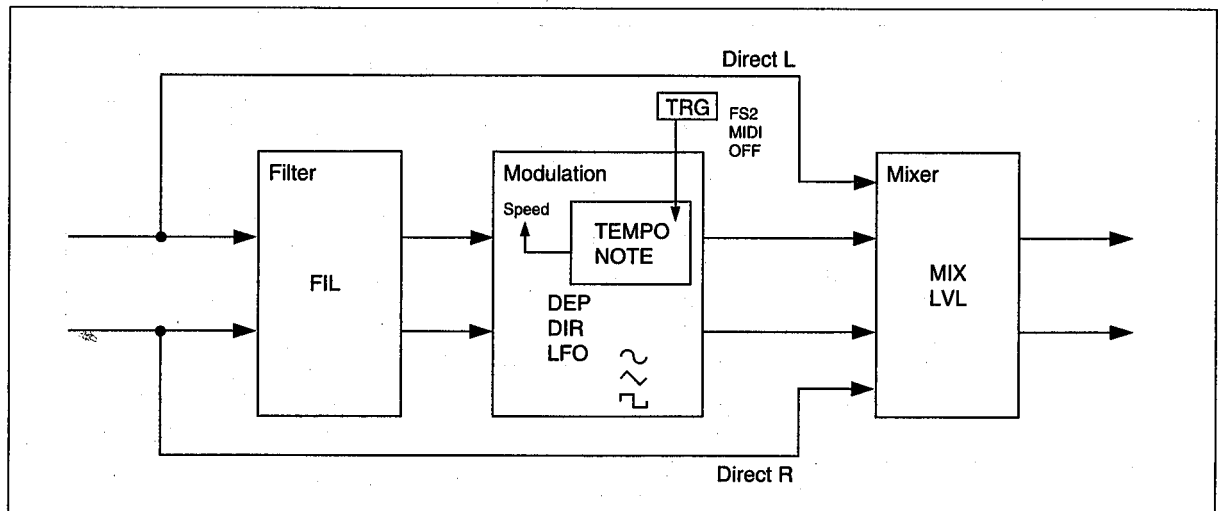
Page 4

```
PAN  FIL
      xxx
```

Parameter #	Name	Function	Value/Range
Parameter 1	TEMPO	Tempo	♩=50 ~ 250
Parameter 2	NOTE	Note Length	♪, ♪, ♫, ♫, ♫, ♫, ♫, ♫, ♫, ♫
Parameter 3	DEP	Modulation Depth	0 ~ 100 [%]
Parameter 4	MIX	Mix Balance	0 ~ 100 [%]
Parameter 5	LVL	Output Level	-∞, -30 ~ +6 [dB]
Parameter 6	TRG	Trigger	OFF, FS2, MIDI
Parameter 7	DIR	Direction	L→R, L←R, L↔R
Parameter 8	LFO	LFO Wave Form	TRI, SIN, SQR
Parameter 9	FIL	Filter	-10 ~ +10

Notes:

- Tempo** Selects the Tempo for the Auto Panning.
- Note Length** Determines the Note value for Tempo sync.
- Modulation Depth** Controls the depth of the Panning modulation.
- Mix Balance** Mixes between the Dry signal and the Panning effect (Setting this to 100% will produce only the chorus effect.)
- Output Level** Overall Level of this Effect Block
- Trigger** Selects the Source of external control for TEMPO parameter. You can adjust the TEMPO parameter value using the footswitch (by selecting FS2) or using the MIDI clock (by selecting MIDI).
- Direction** Determines the direction of the Panning effect.
- LFO Wave Form** Determines the type of LFO to produce pan effect Wave Form: Triangle (TRI), Sine (SIN) or Square (SQR).
- Filter** A "tone control" for the Panning Effect.



Tremolo

There was a time when every amp, and every manufacturer, had to include tremolo in their list of features. And after many years, and many styles of music, the FX770 has not forgotten this classic effect. Updated for the 90's, the Tremolo now features Tempo and remote control, dig the groovy sound!

Type 6: TRM (Tremolo)

Page 1

Page 2

Page 3

```
TRM  TEMPO NOTE
      J=xxx (xx)
```

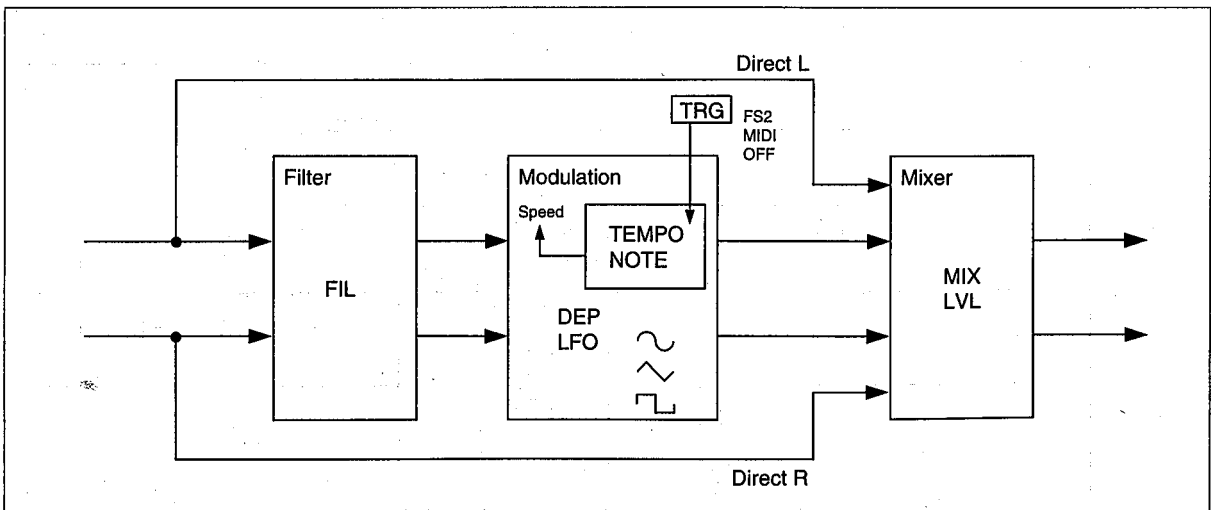
```
TRM  DEP MIX LVL
      xxx xxx xxx
```

```
TRM  TRG LFO FIL
      xxxx xxx xxx
```

Parameter #	Name	Function	Value/Range
Parameter 1	TEMPO	Tempo	♩=50 ~ 250
Parameter 2	NOTE	Note Length	♩, ♪, ♫, ♬, ♭, ♮, ♯, ♭, ♮, ♯, ♭, ♮, ♯
Parameter 3	DEP	Modulation Depth	0 ~ 100 [%]
Parameter 4	MIX	Mix Balance	0 ~ 100 [%]
Parameter 5	LVL	Output Level	-∞, -30 ~ +6 [dB]
Parameter 6	TRG	Trigger	OFF, FS2, MIDI
Parameter 7	LFO	LFO Wave Form	TRI, SIN, SQR
Parameter 8	FIL	Filter	-10 ~ +10

Notes:

- Tempo** Selects the Tempo for the Tremolo.
- Note Length** Determines the Note value for Tempo sync.
- Modulation Depth** Controls the depth of the Tremolo modulation.
- Mix Balance** Mixes between the Dry signal and the Tremolo effect (Setting this to 100% will produce only the chorus effect.)
- Output Level** Overall Level of this Effect Block
- Trigger** Selects the Source of external control for the Tempo parameter. You can adjust the TEMPO parameter value using the footswitch (by selecting FS2) or using the MIDI clock (by selecting MIDI).
- LFO Wave Form** Determines the type of LFO to produce pan effect Wave Form: Triangle (TRI), Sine (SIN) or Square(SQR).
- Filter** A "tone control" for the Tremolo Effect.



Resonator

Not content to live in the past, the FX770 has a brand new modulation effect to introduce to the world: Resonator. This effect has a character in its sweep like a flanger. You can control the pitch of the sweep by the intensity of your picking. It's your technique that will make or break this effect.

Type 7: RES (Resonator)

Page 1

```
RES SEN RES MODE
  XX  XXX XXXXX
```

Page 2

```
RES      MIX LVL
  XXX XXX
```

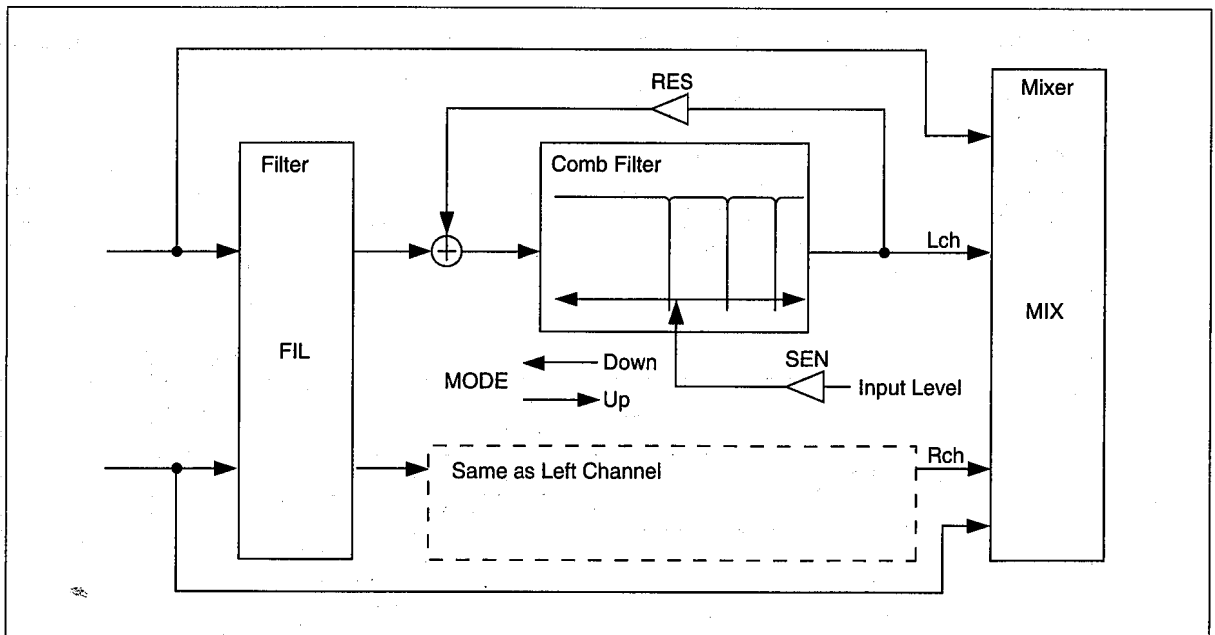
Page 3

```
RES      FIL
  XXX
```

Parameter #	Name	Function	Value/Range
Parameter 1	SEN	Sensitivity	0 ~ 8
Parameter 2	RES	Resonance	0 ~ 100
Parameter 3	MODE	Effect Mode	DOWN, UP
Parameter 4	MIX	Mix Balance	0 ~ 100 [%]
Parameter 5	LVL	Output Level	-∞, -30 ~ +6 [dB]
Parameter 6	FIL	Filter	-10 ~ +10

Notes:

- Sensitivity** Sets the sensitivity of the Input trigger for this effect.
- Resonance** Determines the depth of resonance
- Effect Mode** Selects whether the pitch of the sweep goes down or up as the guitar volume level attenuates.
- Mix Balance** Mixes between the Dry signal and the Effected Signal (Setting this to 100% will produce only the chorus effect.)
- Output Level** Overall Level of this Effect Block
- Filter** A "tone control" for the Resonator.



7.1.8 DELAY

The FX770 contains eight different types of Delay effects: Delay 1, Delay 2, Modulation Delay, Tempo Delay 1, Tempo Delay 2, Tempo Modulation Delay, Multi-Tap Delay, and Ducking Delay. A complete selection of mono, stereo, modulation and tempo delays are available, each capable of creating subtle or dramatic ambient effects. When you recall a Program that uses the same patch, Delay feedback of the previous program will remain effective.

Delay 1

Straight ahead, no nonsense single delay. In many cases this is the right tool for the job, and with delay time and feedback, the FX770 is right on time!

Type 1: DL1 (Delay 1)

Page 1

DL1	DLY	FB
xxx.x	x	xxx

Page 2

DL1	MIX	LVL
xxx	xxx	xxx

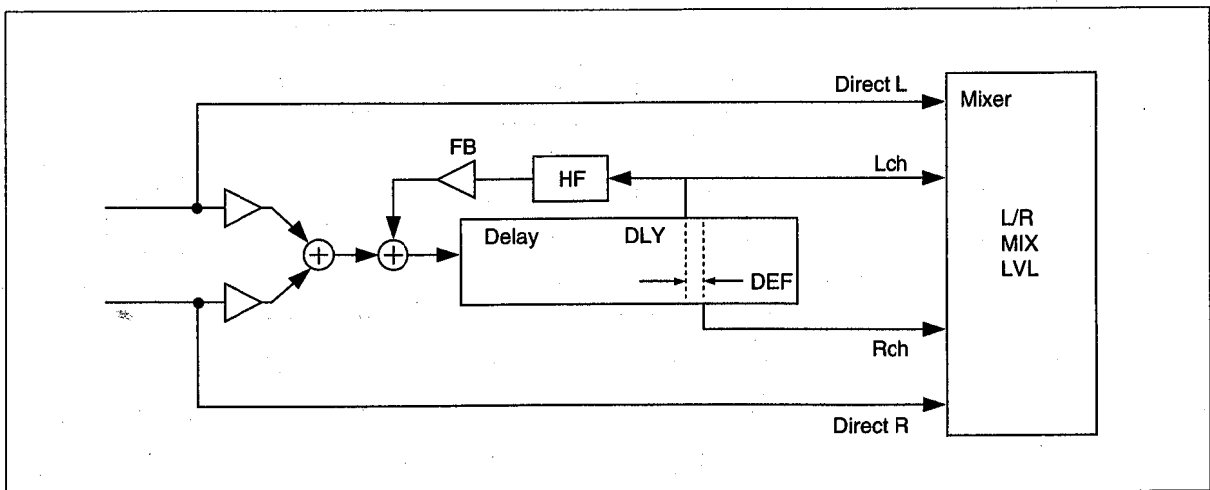
Page 3

DL1	DEF	L/R	HF
xx	xxx	xx	xxx

Parameter #	Name	Function	Value/Range
Parameter 1	DLY	Delay Time	0.1 ~ 670.0 [msec]
Parameter 2	FB	Feedback	0 ~ 100 [%]
Parameter 3	MIX	Mix Balance	0 ~ 100 [%]
Parameter 4	LVL	Output Level	-∞, -30 ~ +6 [dB]
Parameter 5	DEF	Diffusion	0 ~ 10
Parameter 6	L/R	Left/Right Balance	L50 ~ L=R ~ R50
Parameter 7	HF	High Frequency Ratio	1 ~ 10

Notes:

- Delay Time** Sets the time of the Delay.
- Feedback** Controls the amount of repeats.
- Mix Balance** Mixes between the Dry signal and the Delay effect (Setting this to 100% will produce only the chorus effect.)
- Output Level** Overall Level of this Effect Block
- Diffusion** Selects from tight to slightly altered delays.
- Left/Right Balance** Adjusts the pan position of the Delay effect if it is unbalanced due to a high DEF parameter value.
- High Freq. Ratio** A "tape-echo" EQ for the delays. As the value increases, the high range of the repeated sound attenuates gradually, resulting in a very natural echo.



Delay 2

This Delay allows you to set independent Left/Right and feedback loop delay time. Mastering this delay will achieve a stereo delay that pans between hard left and right, as well as a ping-pong delay.

Type 2: DL2 (Delay 2)

Page 1	Page 2	Page 3	Page 4
DL2 DLYL DLYR XXX.X XXX.X	DL2 FBD FB XXX.X XXX	DL2 MIX LVL XXX XXX	DL2 L/R HF XXX XX

Parameter #	Name	Function	Value/Range
Parameter 1	DLYL	Left Ch. Delay time	0.1 ~ 670.0 [msec]
Parameter 2	DLYR	Right Ch. Delay Time	0.1 ~ 670.0 [msec]
Parameter 3	FBD	Feedback Delay Time	0.1 ~ 670.0 [msec]
Parameter 4	FB	Feedback	0 ~ 100 [%]
Parameter 5	MIX	Mix Balance	0 ~ 100 [%]
Parameter 6	LVL	Output Level	$-\infty$, -30 ~ +6 [dB]
Parameter 7	L/R	Left/Right Balance	L50 ~ L=R ~ R50
Parameter 8	HF	High Frequency Ratio	1 ~ 10

Notes:

Left Ch. Delay Time Sets the time for the Left Channel Delay.

Right Ch. Delay Time Sets the time for the Right Channel Delay.

FB Delay Time Sets the time of the Feedback delay.

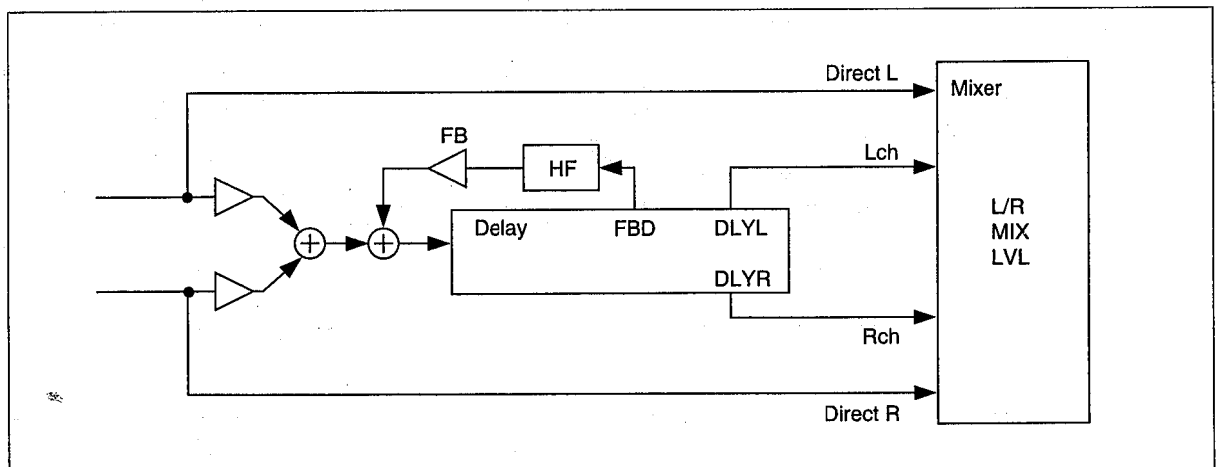
Feedback Level Determines the amount of feedback repeats.

Mix Balance Mixes between the Dry signal and the Delay effect (Setting this to 100% will produce only the chorus effect.)

Output Level Overall Level of this Effect Block

Left/Right Balance Adjusts the pan position of the Delay effect if it is unbalanced due to a difference in Delay time between Left Ch. and Right Ch.

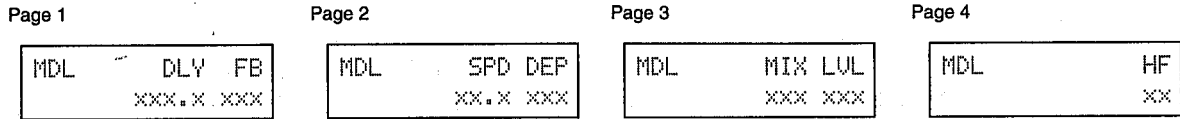
High Freq. Ratio A "tape-echo" EQ for the delays. As the value increases, the high range of the repeated sound attenuates gradually, resulting in a very natural echo.



Modulation Delay

Delays that seem to move or modulate when they are heard! That's the beauty of Modulation Delay, and that's why you'll love this feature of the FX770.

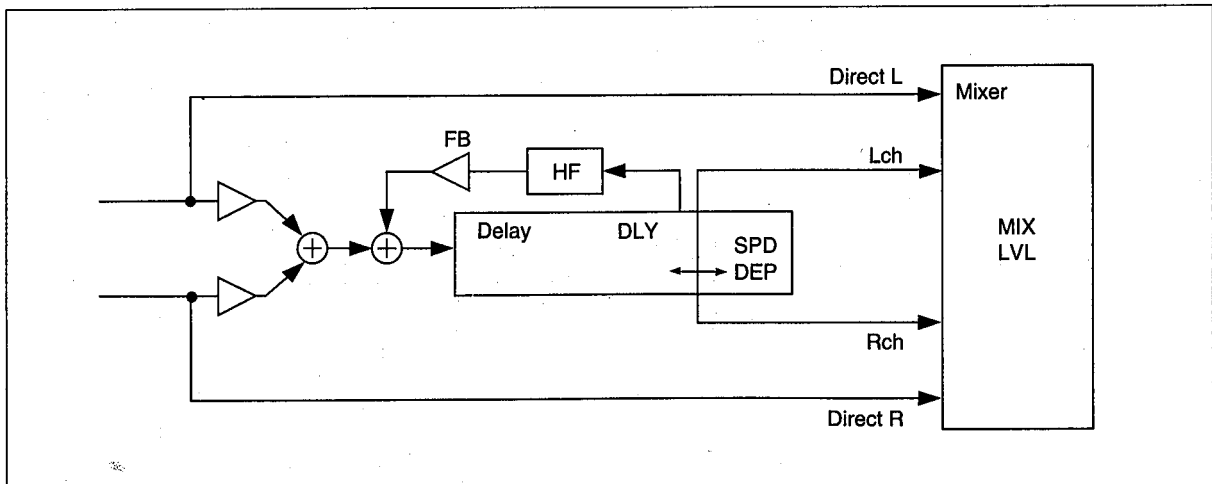
Type 3: MDL (Modulation Delay)



Parameter #	Name	Function	Value/Range
Parameter 1	DLY	Delay Time	0.1 ~ 670.0 [msec]
Parameter 2	FB	Feedback	0 ~ 100 [%]
Parameter 3	SPD	Modulation Speed	0.1 ~ 20.0 [Hz]
Parameter 4	DEP	Modulation Depth	0 ~ 100 [%]
Parameter 5	MIX	Mix Balance	0 ~ 100 [%]
Parameter 6	LVL	Output Level	-∞, -30 ~ +6 [dB]
Parameter 7	HF	High Frequency Ratio	1 ~ 10

Notes:

- Delay Time** Sets the time of the Delay.
- Feedback** Controls the amount of repeats.
- Modulation Speed** Controls the rate (Speed) of the modulation effect.
- Modulation Depth** Controls the depth of the modulation effect on the delays.
- Mix Balance** Mixes between the Dry signal and the Delay effect (Setting this to 100% will produce only the chorus effect.)
- Output Level** Overall Level of this Effect Block
- High Freq. Ratio** A "tape-echo" EQ for the delays. As the value increases, the high range of the repeated sound attenuates gradually, resulting in a very natural echo.



Tempo Delay 1

Have you ever worked with a delay-time chart? Or have you ever played with a drummer whose tempo changed from night to night? We all have, and we all will, so that's why we created Tempo Delay. In the studio, you can sync your delays to the groove of the song; and live, you can use the optional external footswitch to Tap the tempo of the song into the FX770 Delay. That's that's that's, Cool cool cool...

Type 4: TD1 (Tempo Delay 1)

Page 1

Page 2

Page 3

Page 4

```
TD1  TEMPO NOTE
      J=xxx (xx)
```

```
TD1  FB MIX LVL
      xxx xxx xxx
```

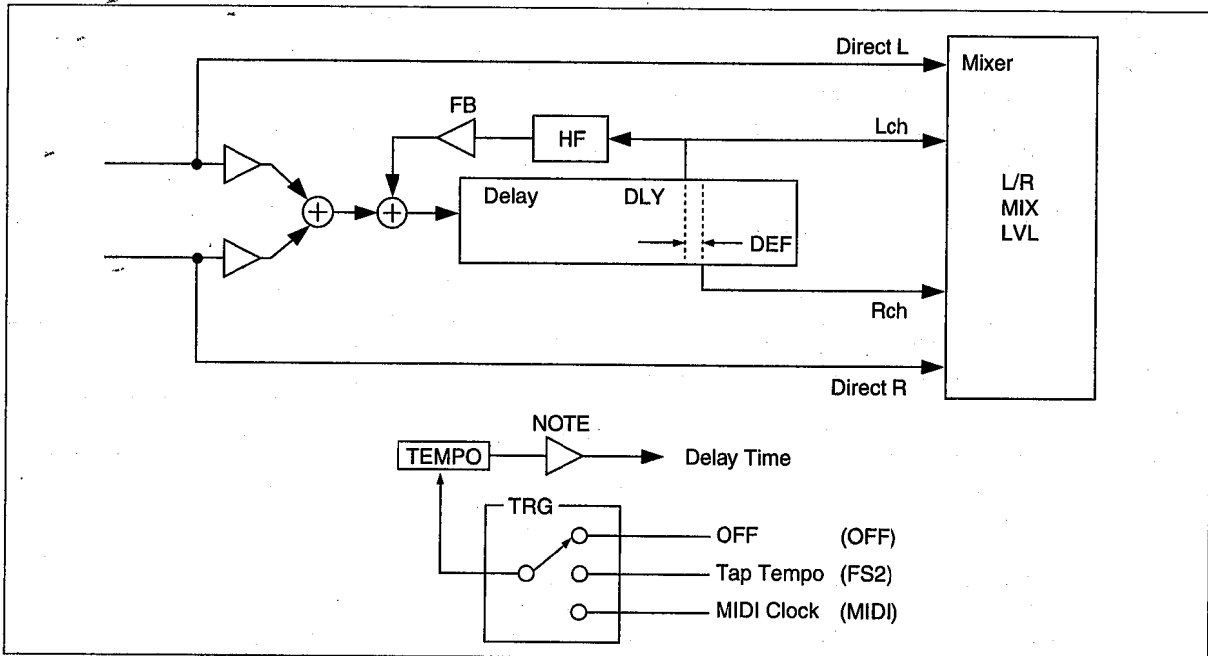
```
TD1  TRG DEF L/R
      xxxx xx xxx
```

```
TD1          HF
              xx
```

Parameter #	Name	Function	Value/Range
Parameter 1	TEMPO	Tempo Select	♩=50 ~ 250
Parameter 2	NOTE	Note Value	♩, ♪, ♫, ♮, ♯, ♭, ♮, ♯, ♭
Parameter 3	FB	Feedback	0 ~ 100 [%]
Parameter 4	MIX	Mix Balance	0 ~ 100 [%]
Parameter 5	LVL	Output Level	-∞, -30 ~ +6 [dB]
Parameter 6	TRG	Trigger	OFF, FS2, MIDI
Parameter 7	DEF	Diffusion	0 ~ 10
Parameter 8	L/R	Left/Right Balance	L50 ~ L=R ~ R50
Parameter 9	HF	High Frequency Ratio	1 ~ 10

Notes:

Tempo	Sets the Tempo for delay. You cannot set the Delay Time to 670ms or longer. If you set the TEMPO to under 90 with Note set to a quarter note, Delay Time becomes 670ms, and the TEMPO value will flash.
Note Value	Selects the Note length
Feedback	Controls the amount of repeats.
Mix Balance	Mixes between the Dry signal and the Delay effect (Setting this to 100% will produce only the chorus effect.)
Output Level	Overall Level of this Effect Block
Trigger	Selects the Source of external control for the Tempo parameter. You can adjust the TEMPO parameter value using the footswitch (by selecting FS2) or using the MIDI clock (by selecting MIDI).
Diffusion	Selects from tight to slightly altered delays.
Left/Right Balance	Adjusts the pan position of the Delay effect if it is unbalanced due to a high DEF parameter value.
High Freq. Ratio	A "tape-echo" EQ for the delays. As the value increases, the high range of the repeated sound attenuates gradually, resulting in a very natural echo.

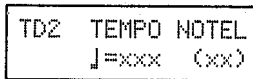


Tempo Delay 2

A Stereo version of Tempo Delay 1, this effect type allows for two separate delay note values.

Type 5: TD2 (Tempo Delay 2)

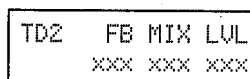
Page 1



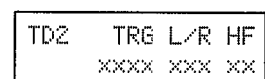
Page 2



Page 3



Page 4

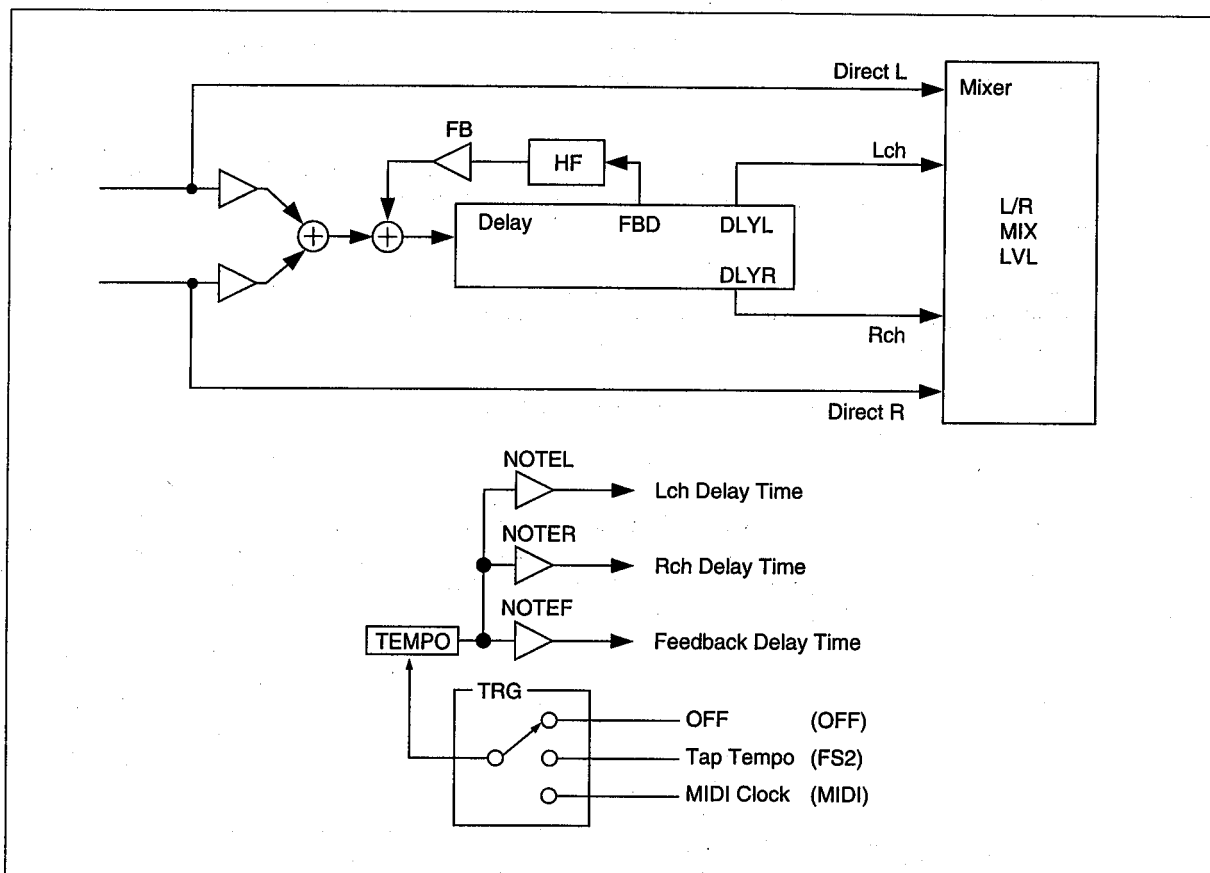


Parameter #	Name	Function	Value/Range
Parameter 1	TEMPO	Tempo	♩=50 ~ 250
Parameter 2	NOTEL	Left Note Value	♩ ₃ , ♩ ₃ , ♩ ₃ , ♩ ₃ , ♩ ₃ , ♩ ₃
Parameter 3	NOTER	Right Note Value	
Parameter 4	NOTEF	Feedback Note Value	
Parameter 5	FB	Feedback	0 ~ 100 [%]
Parameter 6	MIX	Mix Balance	0 ~ 100 [%]
Parameter 7	LVL	Output Level	-∞, -30 ~ +6 [dB]
Parameter 8	TRG	Trigger	OFF, FS2, MIDI
Parameter 9	L/R	Left/Right Balance	L50 ~ L=R ~ R50
Parameter 10	HF	High Frequency Ratio	1 ~ 10

Notes:

- Tempo** Selects the Tempo for the delay effect. You cannot set the Delay Time to 670ms or longer. If you set the TEMPO to under 90 with Note set to a quarter note, Delay Time becomes 670ms, and the TEMPO value will flash.
- Left Note Value** Determines the Note value for Left Channel Tempo sync.
- Right Note Value** Determines the Note value for Right Channel Tempo sync.
- Feedback Note Value** Determines the Note value for Feedback Tempo sync.
- Feedback** Controls the amount of repeats.

- Mix Balance** Mixes between the Dry signal and the Delay effect (Setting this to 100% will produce only the chorus effect.)
- Output Level** Overall Level of this Effect Block
- Trigger** Selects the Source of external control for the Tempo parameter. You can adjust the TEMPO parameter value using the footswitch (by selecting FS2) or using the MIDI clock (by selecting MIDI).
- Left/Right Balance** Adjusts the pan position of the Delay effect if it is unbalanced due to a high DEF parameter value.
- High Freq. Ratio** A "tape-echo" EQ for the delays. As the value increases, the high range of the repeated sound attenuates gradually, resulting in a very natural echo.



Tempo Modulation Delay

Same as the Modulation Delay (MDL) with the addition of Tempo control.

Type 6: TMD (Tempo Modulation Delay)

Page 1

```
TMD  TEMPO NOTE
      | =xxx (xx)
```

Page 2

```
TMD  FB  SPD  DEP
      xxx xx.x xxx
```

Page 3

```
TMD      MIX  LVL
          xxx  xxx
```

Page 4

```
TMD      TRG  HF
          xxxx  xx
```

Parameter #	Name	Function	Value/Range
Parameter 1	TEMPO	Tempo	♩=50 ~ 250
Parameter 2	NOTE	Note Length	♩, ♩ ₃ , ♩, ♩ ₃ , ♩., ♩.
Parameter 3	FB	Feedback	0 ~ 100 [%]
Parameter 4	SPD	Modulation Speed	0.1 ~ 20.0 [Hz]
Parameter 5	DEP	Modulation Depth	0 ~ 100 [%]
Parameter 6	MIX	Mix Balance	0 ~ 100 [%]
Parameter 7	LVL	Output Level	-∞, -30 ~ +6 [dB]
Parameter 8	TRG	Trigger	OFF, FS2, MIDI
Parameter 9	HF	High Frequency Ratio	1 ~ 10

Notes:

Tempo Sets the Tempo for delay. You cannot set the Delay Time to 670ms or longer. If you set the TEMPO to under 90 with Note set to a quarter note, Delay Time becomes 670ms, and the TEMPO value will flash.

Note Value Selects the Note length

Feedback Controls the amount of repeats.

Modulation Speed Controls the rate (Speed) of the modulation effect.

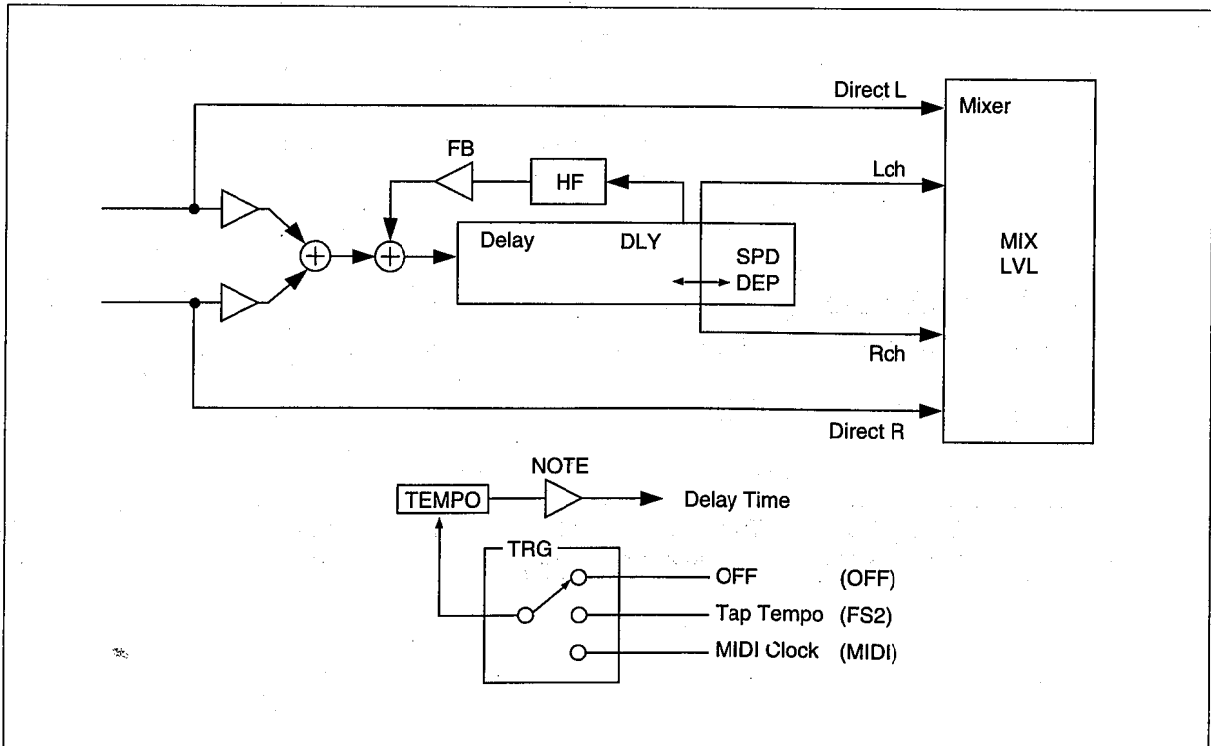
Modulation Depth Controls the depth of the modulation effect on the delays.

Mix Balance Mixes between the Dry signal and the Delay effect (Setting this to 100% will produce only the chorus effect.)

Output Level Overall Level of this Effect Block

Trigger Selects the Source of external control for the Tempo parameter. You can adjust the TEMPO parameter value using the footswitch (by selecting FS2) or using the MIDI clock (by selecting MIDI).

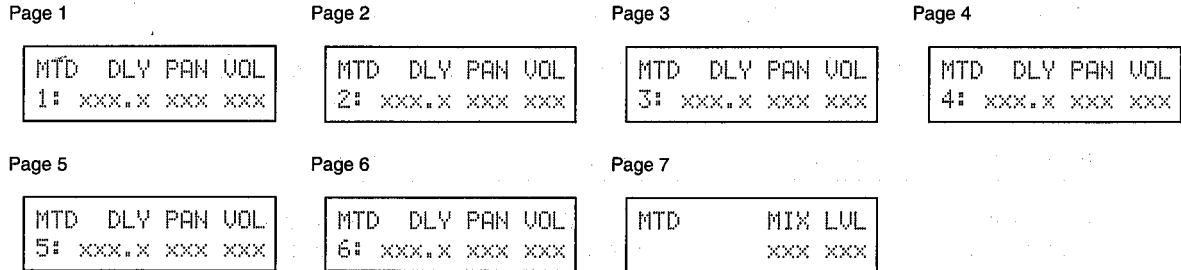
High Freq. Ratio A "tape-echo" EQ for the delays. As the value increases, the high range of the repeated sound attenuates gradually, resulting in a very natural echo.



Multi Tap Delay

Over the top! This one will send your head spinning. With six independent delays featuring time, pan position and level control, you can send your sound throughout time and space!

Type 7: MTD (Multi tap Delay)



Parameter #	Name	Function	Value/Range
Parameter 1	DLY	TAP 1 Delay Time	0.1 ~ 670.0 [msec]
Parameter 2	PAN	TAP 1 Pan Position	L50 ~ L=R ~ R50
Parameter 3	VOL	TAP 1 Volume	0 ~ 100

The three parameters above are repeated identically for each of the six taps of the delay

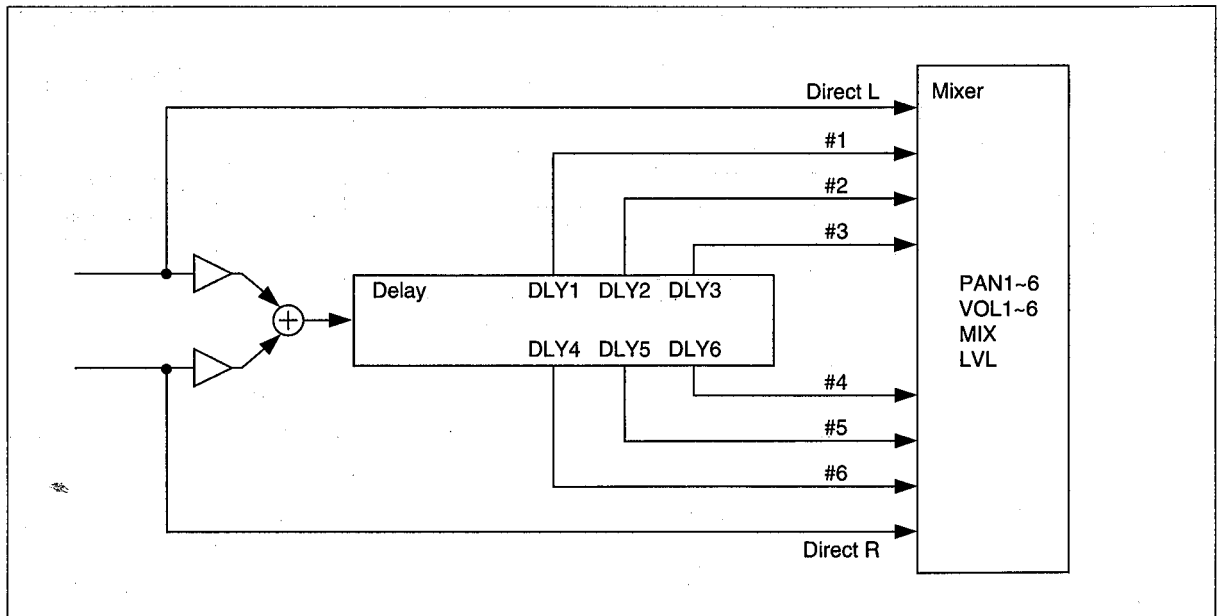
Parameter 19	MIX	Mix Balance	0 ~ 100 [%]
Parameter 20	LVL	Output Level	-∞, -30 ~ +6 [dB]

Notes:

- Delay Time** Sets the time for the selected Tap.
- Pan Position** Determines the position in the stereo field for the selected Tap.
- Tap volume** Sets the Volume for the selected Tap.

The three parameters above are repeated identically for each of the six taps of the delay

- Mix Balance** Mixes between the Dry signal and the Delay effect (Setting this to 100% will produce only the chorus effect.)
- Output Level** Overall Level of this Effect Block



Ducking Delay

This is great! A Delay that gets out of your way when your playing (keeping things uncluttered), and then comes in when you leave dynamic space. A very musical effect indeed.

Type 8: DUC (Ducking Delay)

Page 1

Page 2

Page 3

```

DUC  DLY  FB  THR
xxx.x  xxx  xx
    
```

```

DUC  MIX  LVL
xxx  xxx
    
```

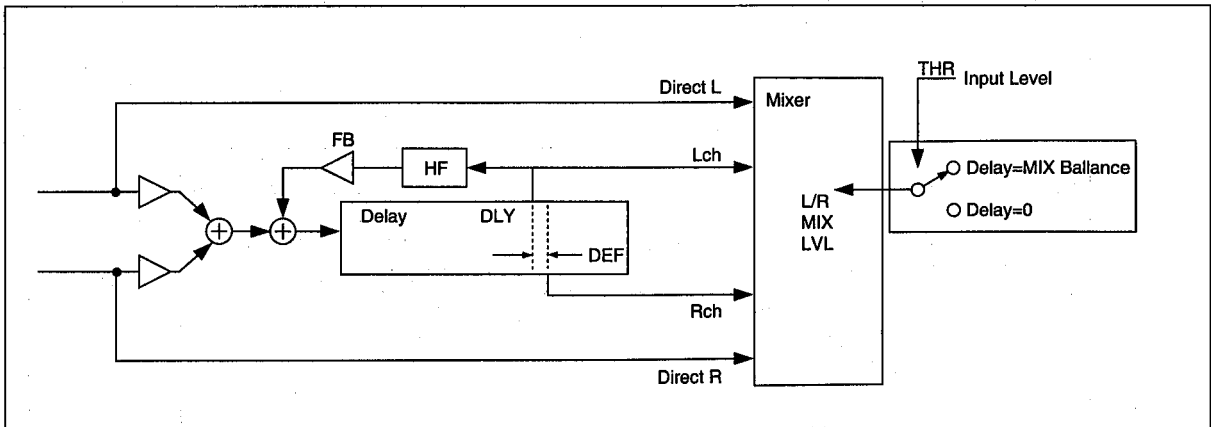
```

DUC  DEF  L/R  HF
xx  xxx  xx
    
```

Parameter #	Name	Function	Value/Range
Parameter 1	DLY	Delay Time	0.1 ~ 670.0 [msec]
Parameter 2	FB	Feedback	0 ~ 100 [%]
Parameter 3	THR	Threshold Level	0 ~ 63
Parameter 3	MIX	Mix Balance	0 ~ 100 [%]
Parameter 4	LVL	Output Level	-∞, -30 ~ +6 [dB]
Parameter 5	DEF	Diffusion	0 ~ 10
Parameter 6	L/R	Left/Right Balance	L50 ~ L=R ~ R50
Parameter 7	HF	High Frequency Ratio	1 ~ 10

Notes:

- Delay Time** Sets the time of the Delay.
- Feedback** Controls the amount of repeats.
- Threshold Level** Determines the Input Level at which the delay effect will start.
- Mix Balance** Mixes between the Dry signal and the Delay effect (Setting this to 100% will produce only the chorus effect.)
- Output Level** Overall Level of this Effect Block
- Diffusion** Selects from tight to slightly altered delays.
- Left/Right Balance** Adjusts the pan position of the Delay effect if it is unbalanced due to a high DEF parameter value.
- High Freq. Ratio** A "tape-echo" EQ for the delays. As the value increases, the high range of the repeated sound attenuates gradually, resulting in a very natural echo.



7.1.9 REVERB -

In many cases, reverb is the final touch to your sound. This effect can give your tone a sense of time and place, from subtle to dramatic, and the FX770 is ready for the job. Featuring four types of reverb, the FX770 has all you need for creating the right ambience for your sound.

LgH (Large Hall), MdR (Medium room), SmR (Small Room), Spr (Spring)

Page 1

Page 2

Page 3

```

xxx RVT HF IDLY
  xx xx xxx.x
    
```

```

xxx    MIX LVL
      xxx xxx
    
```

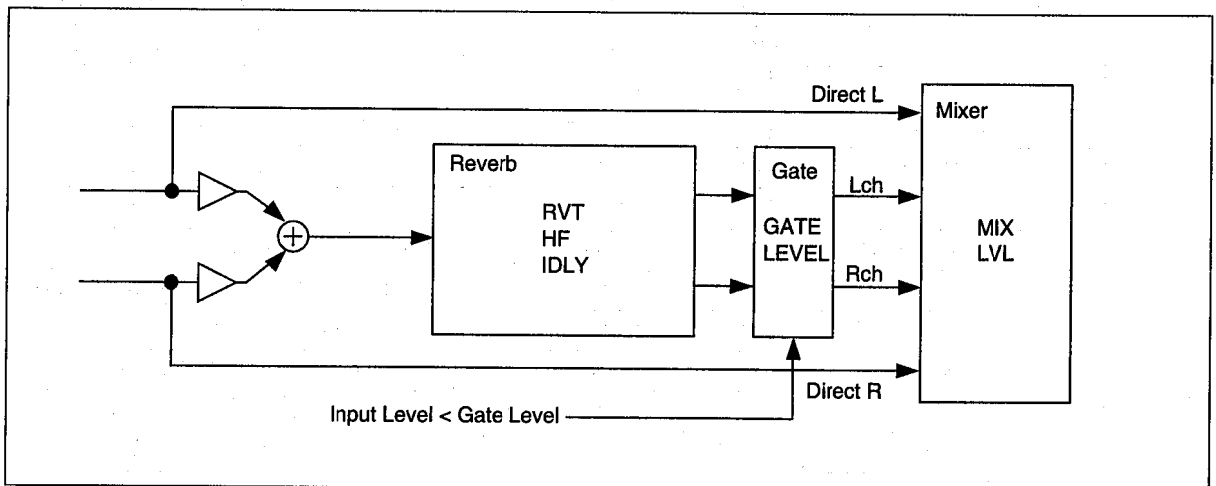
```

xxx    GATE LEVEL
      xx
    
```

Parameter #	Name	Function	Value/Range
Parameter 1	RVT	Reverb Time	0.1 ~ 4.0
Parameter 2	HF	High Frequency Ratio	1 ~ 10
Parameter 3	IDLY	Initial Delay	0.1 ~ 100.0 [msec]
Parameter 4	MIX	Mix Balance	0 ~ 100 [%]
Parameter 5	LVL	Output Level	-∞, -30 ~ +6 [dB]
Parameter 6	GATE LEVEL	Reverb Gate Level	0 ~ 63

Notes:

- Reverb Time** Determines the length (time) of the Reverb decay. The standard value for each type is 1.0.
- High Freq. Ratio** High frequency control voicing for the Reverb.
- Initial Delay** Sets the time before the Reverb starts to happen.
- Mix Balance** Mixes between the Dry signal and the Reverb effect (Setting this to 100% will produce only the chorus effect.)
- Output Level** Overall Level of this Effect Block
- Gate Level** Controlled by your Input signal, the Gate Level determines how much of the Reverb will be gated.



7.2 PRESET PROGRAMS GUIDE

This guide is included to help you get the most from your FX770 Preset Programs. It'll help you understand how each Preset was created along with some tips on what pickup(s) to use and what style to play. Once you see what we've done, you'll be ready to create your own Tone Library!

FX770 Preset Program List

Program#	Program Name	Type	Style	Pickup	Tip
0	Massive	Distortion/Wet	Solo	Bridge Humbucker	Screaming Solo Sound
1	Real Clean	Clean	Chords	Single Coil Combo	Your basic killer clean tone
2	Dream Clean	Clean/Wet	Ballad	Single Coil Combo	Michael' favorite LA clean sound
3	Wide Clean	Clean/Wet	Chords	Single Coil Combo	Great for "parts", sounds doubled
4	Clean Lead	Clean/Wet	Solo	Any	Neck pick-up clean solo w/cut
5	Blue Mood	Overdrive	Riffs	Any	Basically blues
6	Tunnel Vision	Distortion/Wet	Chords	Bridge Humbucker	Singing lead tone
7	Captain Crunch	Distortion	Chords	Bridge Humbucker	Think "Sandman"
8	Power Trip	Distortion/Wet	Solo	Bridge Humbucker	Monsters of rock
9	L.A. Lead	Distortion/Wet	Solo	Bridge Humbucker	"Luke" might like this
10	Get Funky	Clean	Chords	Single Coil Combo	Great for tight chords
11	Cleanman	Clean/Wet	Chords	Single Coil Combo	Battery powered
12	Funky Mute	Clean/Wet	Single Stng	Single Coil Combo	Single string fills & parts
13	Pan Police	Clean/Wet	Arpeggio	Single Coil Combo	Every Breath You Take
14	Rocko Socko	Overdrive	Chords	Any	Pete's in-between tone
15	Power Station	Overdrive	Chords	Bridge Humbucker	Get It On
16	Highway 101	Overdrive	Chords	Bridge Humbucker	Slap happy
17	Rotary Club	Distortion/Wet	Chords	Bridge Humbucker	A "Pearl" of a tone, start jammin'
18	Giant Killer	Distortion/Wet	Solo	Bridge Humbucker	Nice sing solo sound
19	Rat lead	Distortion/Wet	Solo	Bridge Humbucker	Tone With Teeth
20	The King	Clean	Chords	Neck Single Coil	Rockabilly boogie
21	Retro Room	Clean	Chords	Any	A Cool 60's kind of thing
22	Vibrotrem	Clean	Chords	Any	Be still my beating heart
23	Memphis Maybe	Clean	Chords	Any	Stacks -o- tracks had this tone
24	Good Company	Overdrive	Chords	Neck Single Coil	You can take care of biz with this one
25	Just What I Need	Overdrive	Chords	Bridge Humbucker	Automotive hit
26	Strangle Hold	Overdrive	Chords	Bridge Humbucker	The Ted. End of story.
27	Z Growl	Overdrive	Chords	Bridge Humbucker	A little bit Texas, and a whole lot of tone.
28	Front Page	Overdrive	Chords	Neck Single Coil	Think Heartbreaker
29	Wah's Up Doc?	Overdrive	Solo	Bridge Humbucker	Wah pedal will work with this one
30	Warm & Cozy	Clean	Chords	Single Coil Combo	Ooh, that's nice
31	Ballad FX	Clean/Wet	Arpeggio	Single Coil Combo	Pretty
32	Philharmonic	Clean/Wet	Chords	Single Coil Combo	Drenched in a symphony of sound
33	Jazzed	Clean	Solo	Neck	Pass it on, Joe
34	Country Clean	Clean	Chords	Single Coil Combo	Music City made this famous
35	In Between	Overdrive	Chords	Any	Cool rock tone

Program#	Program Name	Type	Style	Pickup	Tip
36	Old Style	Overdrive	Chords	Single Coil Combo	Cinnamon Girl
37	Thick Room	Overdrive	Solo	Bridge Humbucker	Fat rock rhythm
38	Dyna Lead	Distortion/Wet	Solo	Bridge Humbucker	Dynamic delay makes this cool
39	Old Faithful	Distortion/Wet	Solo	Bridge Humbucker	Standard solo sound
40	Paperback	Overdrive	Chords	Single Coil Combo	Writers like this
41	On the Edge	Overdrive/Wet	Riffs	Single Coil Combo	In the Name of Love
42	Tempo Bounce	Overdrive/Wet	Riffs	Single Coil Combo	Play quarter note licks
43	Dancing Delays	Clean/Wet	Ballad	Single Coil Combo	Big, full and great for ballads
44	Swell Pad	Clean/Wet	Vol. Ped.	Single Coil Combo	Use the volume pedal to get "organ" sounds
45	Stuffyhead	Overdrive	Chords	Bridge Humbucker	Full rock rhythm
46	Bump & Grind	Distortion/Wet	Chords	Bridge Humbucker	Grind it out
47	Slap Lead	Distortion/Wet	Solo	Bridge Humbucker	Great for playing high notes
48	Tailgate	Distortion/Wet	Solo	Bridge Humbucker	Help, someone is following me!
49	Fried	Distortion/Wet	Solo	Bridge Humbucker	Phycadelic swirl
50	Nice & Easy	Clean	Chords	Single Coil Combo	Clean with chorus
51	Premiere	Clean	Chords	Single Coil Combo	Sweet
52	Touchy, Aren't We	Clean	Riffs	Single Coil Combo	Play muted funk licks
53	Swimming	Clean/Wet	Arpeggio	Single Coil Combo	Drenched in tone
54	Long Cool Woman	Clean/Wet	Riffs	Single Coil Combo	Do your best Hollies
55	Notch	Overdrive	Riffs	Bridge Humbucker	Money for Nothing
56	Don't Look Now	Distortion/Wet	Riffs	Bridge Humbucker	Alternative guitar sound
57	Space Needle	Distortion/Wet	Riffs	Bridge Humbucker	Alternative guitar sound
58	Garage Dudes	Distortion/Wet	Riffs	Bridge Humbucker	Alternative guitar sound
59	Doo Wah Diddy	Distortion/Wet	Solo	Bridge Humbucker	Alternative guitar sound
60	Acoustic	Acoustic	Chords	Steel String	Best with an Electro-Acoustic
61	Excited	Acoustic	Chords	Steel String	Best with an Electro-Acoustic
62	Wet Steel	Acoustic	Arpeggio	Steel String	Best with an Electro-Acoustic
63	Dreadn't Dance	Acoustic	Solo	Steel String	Best with an Electro-Acoustic
64	APX Pitch	Acoustic	Solo	Steel String	Best with an Electro-Acoustic
65	Nylon	Nylon Acoustic	Chords	Nylon String	Best with an Electro-Acoustic
66	Rubberband	Nylon Acoustic	Chords	Nylon String	Best with an Electro-Acoustic
67	Run On & On	Nylon Acoustic	Arpeggio	Nylon String	Best with an Electro-Acoustic
68	Solo Nylon	Nylon Acoustic	Solo	Nylon String	Best with an Electro-Acoustic
69	Nylon Syrup	Nylon Acoustic	Solo	Nylon String	Best with an Electro-Acoustic
70	With DI Fingers	Clean		Single Coil Combo	Use "Direct" to your board or multi-track
71	DI Clean	Clean		Single Coil Combo	Use "Direct" to your board or multi-track
72	Chimes DI	Clean/Wet		Single Coil Combo	Use "Direct" to your board or multi-track
73	Gas Pedal	Clean/Wet		Single Coil Combo	Use "Direct" to your board or multi-track
74	Almost	Overdrive	Chords	Bridge Humbucker	Use "Direct" to your board or multi-track
75	Gloom	Overdrive	Chords	Bridge Humbucker	Use "Direct" to your board or multi-track
76	Doom	Overdrive	Chords	Bridge Humbucker	Use "Direct" to your board or multi-track
77	Direct Crunch	Overdrive	Chords	Bridge Humbucker	Use "Direct" to your board or multi-track

Section 7: Reference

Program#	Program Name	Type	Style	Pickup	Tip
78	L.A. Direct	Distortion/Wet	Solo	Bridge Humbucker	Use "Direct" to your board or multi-track
79	Charles & DI	Distortion/Wet	Solo	Bridge Humbucker	Use "Direct" to your board or multi-track
80	To DI For	Clean	Chords	Single Coil Combo	Use "Direct" to your board or multi-track
81	DI Mute	Clean	Chords	Single Coil Combo	Use "Direct" to your board or multi-track
82	Pan Pizza	Clean/Wet	Arpeggio	Single Coil Combo	Use "Direct" to your board or multi-track
83	Princess DI	Clean/Wet	Arpeggio	Single Coil Combo	Use "Direct" to your board or multi-track
84	Direct Mail	Overdrive	Chords	Bridge Humbucker	Use "Direct" to your board or multi-track
85	Direct Danger	Overdrive	Chords	Bridge Humbucker	Use "Direct" to your board or multi-track
86	Talk To Me	Distortion/Wet	Solo	Bridge Humbucker	Use "Direct" to your board or multi-track
87	Raw Frame	Distortion/Wet	Solo	Bridge Humbucker	Use "Direct" to your board or multi-track
88	DI Chase	Distortion/Wet	Solo	Bridge Humbucker	Use "Direct" to your board or multi-track
89	Dynamic DI	Distortion/Wet	Solo	Bridge Humbucker	Use "Direct" to your board or multi-track
90	Shred Direct	Distortion/Wet	Solo	Bridge Humbucker	Use "Direct" to your board or multi-track
91	High Solo	Distortion/Wet	Solo	Bridge Humbucker	Speedy Hi-tone Solo
92	Rapid Fire	Distortion/Wet	Solo	Bridge Humbucker	For hammering and pulling
93	Rythm Track	Distortion/Wet	Chords	Bridge Humbucker	For expert backing
94	Mini Pan	SOUND EFFECT	—	Any	Chirpy sound
95	Dr. Robot	SOUND EFFECT	—	Any	Chattering Robot
96	Bubble Wah	SOUND EFFECT	—	Any	Sparkling bubble
97	Venus	SOUND EFFECT	—	Any	Try bending at high position
98	Gremlins	SOUND EFFECT	—	Any	Talking gremlins
99	Space Chatter	SOUND EFFECT	—	Any	Laser gun

7.3 PROGRAMMING TIPS

The following tips are for general information only, please feel free to discover your own ways to get the most from your FX770.

Preamp Settings

- **Regarding Gain:** With any brand of Preamp, it has been found that when using extremely high-gain settings, lower drive levels produce a more articulate attack and better defined tone. This is true with the FX770 as well, for the best results from a high-gain Preamp setting, use discretion when setting the Drive parameters.
- **Regarding EQ:** The FX770 is equipped with a very powerful parametric-type EQ in the Preamp Block. This type of EQ affords you the most control and flexibility for creating tone. With all of this power comes the warning: Too much of a good thing can kill your tone. What this means is, be careful when using the Pre, Post and Main tone controls in the Preamp Block. Learn what frequencies affect your guitar and find the “sweet spots” that make your guitar sound natural.

Noise Gate Settings

- Use **discretion:** Noise Gate values that are set too high will cut the sustain of your guitar. To set the Noise Gate, turn the volume control on your guitar all the way off and listen to the background noise, then use the gate to reduce that noise to a manageable level, most likely not all the way on! Remember, you’ll never hear that little bit of noise while the band is playing. To make the FX770 completely silent between songs or in quiet passages, use the optional FC1 Volume function as a Master Volume control on the main outputs - when it’s off, it’s silent!

External Controllers

- Don’t neglect the major benefits of the optional external controllers. These features and functions are an integral design of the FX770, and they will enhance your enjoyment of this product greatly. Remote Volume, WAH, FS1 and FS2 programmable footswitches all provide that extra control needed while allowing you to keep your hands on the guitar and making music.

Memory Backup

- Hours upon hours of expert programming on your part should not be lost due to lack of back-up. Using the MIDI Data dump feature of the FX770 provides the insurance that your hard work will not be lost or damaged by friend or foe. The MIDI Data dump is easy and quick to perform, please save and document your work.

Applications

- Your FX770 may sound different in every application that you use it! The tones of the FX770 will vary according to the type of amplifier/speaker combination that you are using, so please experiment to find the combination that sounds best to you. The FX770 has the power to sound great in any application; from Combo amps to award-winning Studios, and you will need to know how to adjust the FX770 to each different type of listening environment. The time that you spend perfecting your skills on the FX770 will result in amazing sounds!

7.4 SPECIAL NOTE CONCERNING LEVELS

Special care should be used when setting the individual Effect Output Levels located within six of the Effect Blocks. The Compressor, Preamp, Pitch, Mod, Delay and Reverb blocks all feature parameter control over the signal flow level, this parameter is variable from +6dB to -30dB and $-\infty$. If the settings of these levels gets too high, it will result in “digital clipping” and add a harshness to the sound. If any or all levels are set too low, the output of the FX770 is impaired. These levels should only be used to “level out” the signal in an Effect Block that has raised or dropped the normal signal level of the FX770. At no time should the sum of all the Output Levels be greater than +6dB, thus ensuring a clean and manageable signal path.

Section 8: Specifications

8.1 MIDI DATA FORMAT

TRANSMISSION FORMAT

① Program Data

When a PROGRAM DATA BULK OUT operation is performed or when a PROGRAM DATA BULK DUMP REQUEST message is received by the FX770, the data is transmitted on the MIDI channel specified for current selected BANK. Data is transmitted from the USER PROGRAM #0 to #99 in the format below if the program number is set at "All".

```

status          1111 0000 (F0h)
ID #            0100 0011 (43h)
SUB STATUS      0000 nnnn      nnnn = channel # *1
FORMAT #        0111 1110 (7Eh)
byte count      0000 0001 (01h)
byte count      0001 0000 (10h)
header          0100 1100 (4Ch)  "L"
                0100 1101 (4Dh)  "M"
                0010 0000 (20h)  " "
                0010 0000 (20h)  " "
                0011 1000 (38h)  "8"
                0100 0001 (41h)  "A"
                0011 0010 (32h)  "2"
                0011 0000 (30h)  "0"
data name       0100 1101 (4Dh)  "M"
program #       0nnnn mnnnn      *2
data            0ddd dddd      ] 134 byte
                :
                0ddd dddd
check sum       0eee eeee
EOX             1111 0111 (F7h)
    
```

② Program Change Table Data

When a PROGRAM CHANGE TABLE BULK OUT operation is performed or when a PROGRAM CHANGE TABLE BULK DUMP REQUEST message is received by the FX770, the data is transmitted on the MIDI channel specified for current selected BANK. Data is transmitted from BAN A to G in the format below if the BANK is set at "All".

```

status          1111 0000 (F0h)
ID #            0100 0011 (43h)
SUB STATUS      0000 nnnn      nnnn = channel # *1
FORMAT #        0111 1110 (7Eh)
byte count      0000 0001 (01h)
byte count      0000 1010 (0Ah)
header          0100 1100 (4Ch)  "L"
                0100 1101 (4Dh)  "M"
                0010 0000 (20h)  " "
                0010 0000 (20h)  " "
                0011 1000 (38h)  "8"
                0100 0001 (41h)  "A"
                0011 0010 (32h)  "2"
                0011 0000 (30h)  "0"
data name       0101 0100 (54h)  "T"
bank #          0bbb bbbb      *3
data            0ddd dddd      ] 128 byte
                :
                0ddd dddd
check sum       0eee eeee
EOX             1111 0111 (F7h)
    
```

③ System Data

When a SYSTEM DATA BULK OUT operation is performed or when a SYSTEM DATA BULK DUMP REQUEST message is received by the FX770 the data is transmitted on the MIDI channel specified for current selected BANK.

```

status          1111 0000 (F0h)
ID #            0100 0011 (43h)
SUB STATUS      0000 nnnn      nnnn = channel # *1
FORMAT #        0111 1110 (7Eh)
byte count      0000 0000 (00h)
byte count      0010 0010 (22h)
header          0100 1100 (4Ch)  "L"
                0100 1101 (4Dh)  "M"
                0010 0000 (20h)  " "
                0010 0000 (20h)  " "
                0011 1000 (38h)  "8"
                0100 0001 (41h)  "A"
                0011 0010 (32h)  "2"
                0011 0000 (30h)  "0"
data name       0101 0111 (53h)  "S"
                0010 0000      " "
version #       0000 0001      V1.0
                0000 0000
data            0ddd dddd      ] 22 byte
                :
                0ddd dddd
check sum       0eee eeee
EOX             1111 0111 (F7h)
    
```

④ All Bulk Data

When a ALL BULK OUT operation is performed, the data is transmitted on the MIDI channel specified for current selected BANK.

All data is transmitted in this order as follows.

1. data of USER PROGRAM #0 to #99
2. data of PROGRAM CHANGE TABLE A to G
3. SYSTEM data

RECEPTION FORMAT

① Note On

This message is received on the MIDI channel specified in the currently selected BANK when CONTROLLER 1 or CONTROLLER 2 is assigned to NOTE ON VELOCITY. When a NOTE ON message is received, the value of the assigned effect parameter is changed according to received the velocity value.

And, when the EFFECT TYPE of PITCH SECTION is SPI, this is received as message to control pitch shift value. The velocity value is ignored Reception is not possible when the base KEY parameter is OFF.

```
status      1001 nnnn      nnnn = channel # *1
1st data    0kkk kkkk      kkkkkkk = note number *4
2nd data    0vvv vvvv      vvvvvvv = velocity *5
```

② CONTROL CHANGE

This message is received on the MIDI channel specified in the currently selected BANK when CONTROLLER 1 or CONTROLLER 2 is assigned to control number. When a CONTROL CHANGE message is received, the value of the assigned effect parameter is changed according to the received control value.

```
status      1011 nnnn      nnnn = channel number *1
1st data    0ccc cccc      ccccccc = control number *6
2nd data    0vvv vvvv      vvvvvvv = control value *7
```

③ PROGRAM CHANGE

This message is received on the MIDI channel specified in the currently selected BANK. When a PROGRAM CHANGE message is received, the effect program assigned to the received program number in the program change assignment table of current BANK is selected.

```
status      1100 nnnn      nnnn = channel number *1
1st data    0ppp pppp      ppppppp = program number *8
```

④ CHANNEL PRESSURE

This message is received on the MIDI channel specified in the currently selected BANK when CONTROLLER 1 or CONTROLLER 2 is assigned to CHANNEL PRESS. When a CHANNEL PRESSURE message is received, the value of the assigned effect parameter is changed according to the received pressure value.

```
status      1101 nnnn      nnnn = channel number *1
1st data    0vvv vvvv      vvvvvvv = pressure value *9
```

⑤ ACTIVE SENSING

After ACTIVE SENSING has been received, if the interval time is more than 300 milli seconds, the MIDI volume is set to maximum.

```
1111 1110      active sensing
```

⑥ TIMING CLOCK

For the following effect type, when the TRG parameter is MIDI, modulation speed or delay time is set to interval time of TIMING CLOCK.

```
1111 1000      timing clock
```

section	effect type	parameter to be set to interval time of MIDI CLOCK
MOD	PAN,TRM	modulation speed
DELAY	TD1,TD2,TMD	delay time

⑦ Program Data Bulk Dump Request

Received on the MIDI channel specified for the currently selected bank.

When received, the data corresponding to the specified user program is transmitted.

```
status      1111 0000 (F0h)
ID #        0100 0011 (43h)
SUB STATUS  0010 nnnn      nnnn = channel # *1
FORMAT #    0111 1110 (7Eh)
header      0100 1100 (4Ch)  "L"
            0100 1101 (4Dh)  "M"
            0010 0000 (20h)  " "
            0010 0000 (20h)  " "
            0011 1000 (38h)  "8"
            0100 0001 (41h)  "A"
            0011 0010 (32h)  "2"
            0011 0000 (30h)  "0"
data name   0100 1101 (4Dh)  "M"
program #   0nnnn nnnnn      *2
BOX        1111 0111 (F7h)
```

⑧ Program Change Table Bulk Dump Request

Received on the MIDI channel specified for the currently selected bank.

When received, the data corresponding to the program change table of the specified bank is transmitted.

```
status      1111 0000 (F0h)
ID #        0100 0011 (43h)
SUB STATUS  0010 nnnn      nnnn = channel # *1
FORMAT #    0111 1110 (7Eh)
header      0100 1100 (4Ch)  "L"
            0100 1101 (4Dh)  "M"
            0010 0000 (20h)  " "
            0010 0000 (20h)  " "
            0011 1000 (38h)  "8"
            0100 0001 (41h)  "A"
            0011 0010 (32h)  "2"
            0011 0000 (30h)  "0"
data name   0101 0100 (54h)  "T"
bank #      0bbb bbbb      *3
BOX        1111 0111 (F7h)
```

⑨ System Data Bulk Dump Request

Received on the MIDI channel specified for the currently selected bank.

When received, the data corresponding to the system setup data is transmitted.

```

status          1111 0000 (F0h)
ID #           0100 0011 (43h)
SUB STATUS     0010 nnnn      nnnn = channel # *1
FORMAT #      0111 1110 (7Eh)
header        0100 1100 (4Ch)  "L"
              0100 1101 (4Dh)  "M"
              0010 0000 (20h)  " "
              0010 0000 (20h)  " "
              0011 1000 (38h)  "8"
              0100 0001 (41h)  "A"
              0011 0010 (32h)  "2"
              0011 0000 (30h)  "0"
data name     0101 0011 (53h)  "S"
              0010 0000 (20h)  " "
EOX           1111 0111 (F7h)

```

⑩ Bank Change Request

Received on the MIDI channel specified for the currently selected bank.

When received, the specified bank is called up.

```

status          1111 0000 (F0h)
ID #           0100 0011 (43h)
SUB STATUS     0000 nnnn      nnnn = channel # *1
FORMAT #      0111 1110 (7Ch)
byte count    0000 0000 (00h)
              0000 1101 (0Dh)
header        0100 1100 (4Ch)  "L"
              0100 1101 (4Dh)  "M"
              0010 0000 (20h)  " "
              0010 0000 (20h)  " "
              0011 1000 (38h)  "8"
              0100 0001 (41h)  "A"
              0011 0010 (32h)  "2"
              0011 0000 (30h)  "0"
data name     0101 0101 (55h)  "U"
              0010 0000 (20h)  " "
version #     0000 0001      V1.0
              0000 0000
bank #        0bbb bbbb      *3
check sum    0eee eeee      *10
EOX           1111 0111 (F7h)

```

⑪ Program Data

The data format is the same as "Program Data" for transmission.

⑫ Program Change Table Data

The data format is the same as "Program Change Table Data" for transmission.

⑬ System Data

The data format is the same as "System Data" for transmission.

NOTES

*1 channel #

nnnn	channel #
0	1
:	:
15	16

*2 program #

mmm mmmm	program #
0	0
:	:
99	99

*3 bank #

bbb bbbb	bank #
1	A
2	B
3	C
4	D
5	E
6	F
7	G

*4 note number

kkkkkkkk = 0 - 127

*5 velocity

vvvvvvv = 1 - 127

*6 control number

ccccccc = 1 - 31, 64 - 95

*7 control value

vvvvvvv = 0 ~ 127

*8 program number

ppp pppp	program number
0	1
:	:
127	128

*9 pressure value

vvvvvvv = 0 ~ 127

*10 eeeeeee is a supplemental number produced by multiplying the lower 7 bits of the header and all data bytes.

8.2 GENERAL SPECIFICATIONS

ELECTRICAL CHARACTERISTICS

Freq. Response	20 Hz ~ 20 kHz
Dynamic Range	85 dB
Hum, Noise	-81 dBm
Distortion	Less than 0.1% @ 1 kHz, max.

INPUT

Number of Channels	1 (mono)
Nominal Level	-20 dBm
Impedance	1 M Ω

OUTPUT

Number of Channels	2 (stereo out)
Nominal Level	-10 dBm
Impedance	2 k Ω

INSERT SEND

Number of Channels	1
Nominal Level	-20 dBm
Impedance	1 k Ω

INSERT RETURN

Number of Channels	1
Nominal Level	-20 dBm
Impedance	10 k Ω

A/D CONVERTERS

A/D	16bit
D/A	16bit
Sampling Frequency	44.1 kHz

MEMORY

Preset Program	100 (Prog. No. 0 ~ 99)
User Program	100 (Prog. No. 0 ~ 99)

FRONT PANEL

Switch	
Button	
Knob	
Display, Indicator	

POWER
 EFFECT key \times 9
 PLAY, EDIT, UTILITY, BYPASS, EFF TYPE, ◀, ▶, STORE
 INPUT LEVEL, PRESENCE, OUTPUT LEVEL, DATA ENTRY
 16-character \times 2LCD, 7-segment LED \times 2, PRESET, USER LED,
 EFFECT LED \times 9, PLAY, EDIT, UTILITY, BYPASS LED, PEAK,
 SIGNAL LED
 INPUT

REAR PANEL

Switch	
Knob	
Connector	

METER SELECT, MIDI THRU/OUT
 RETURN LEVEL
 INSERT SEND, RETURN (phone jack \times 2)
 OUTPUT L (MONO), R (phone jack \times 2)
 FOOT CTRL VOLUME, WAH (phone jack \times 2)
 FOOT SWITCH FS1 (BYPASS), FS2 (phone jack \times 2)
 MIDI IN, THRU/OUT (DIN 5P \times 2)

POWER SUPPLY

US& Canadian models	: 120V, 60 Hz
British model	: 240V, 50 Hz
General model	: 230V, 50 Hz

POWER CONSUMPTION

12W

DIMENSIONS (W \times H \times D)

480 \times 45.3 \times 336.4 mm

WEIGHT

3.6 kg

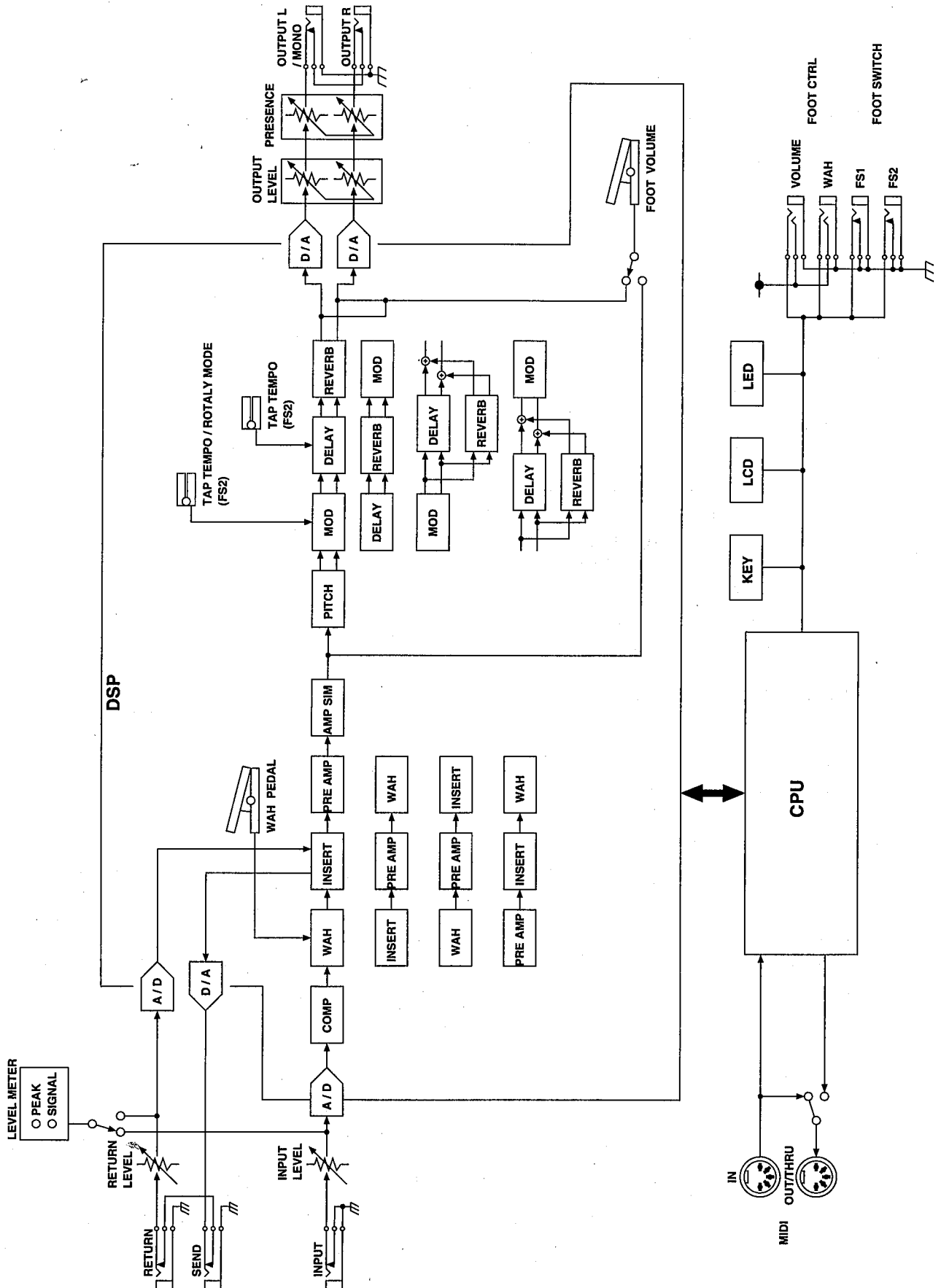
ACCESSORY

Effects Block Sticker

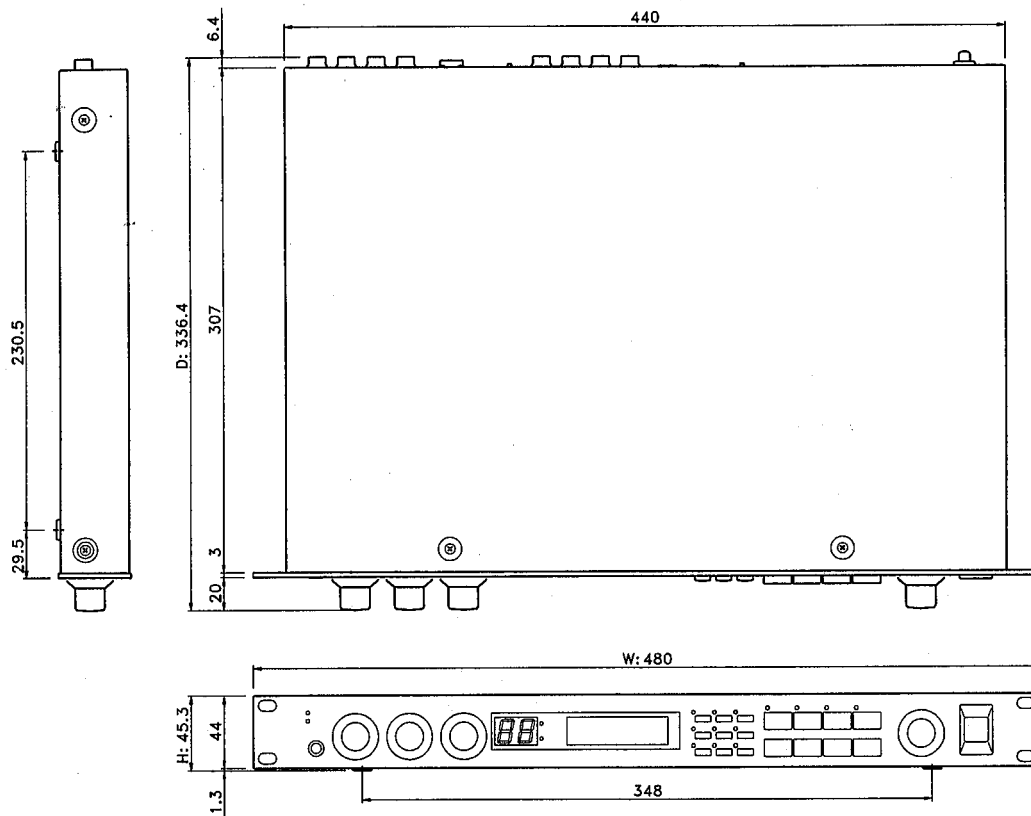
· 0 dB = 0.775 Vr.m.s.

· Specifications and external appearance are subject to change without notice.

8.3 BLOCK DIAGRAMS



8.4 DIMENSIONS



Unit: mm

8.5 OPTIONAL ACCESSORIES

MIDI Footcontroller MFC05

Allows you to recall 10 Programs.

MIDI Footcontroller MFC06

Allows you to recall 5 Programs and switch 5 Effect Blocks ON/OFF.

MIDI Footcontroller MFC1

Allows you to recall 8 Programs directly, recall 20 Programs sequentially, and control the Effect parameters using the Control change message. You can also control (start and stop) the sequencer.

Footswitch FC5

Allows you to turn Bypass and Effect block ON/OFF, set the delay time, and recall the Programs sequentially.

Footcontroller FC7

Allows you to control volume and wah.

Volume Pedal VP500, VP50ST

Allows you to control volume and wah. Suitable for playing while standing.

Insert I/O cable YIC025 (2.5m), YIC050(5.0m), YIC070(7.0m)

Connecting a guitar volume pedal such as the VP500 and VP50ST using this cable allows you to control volume and wah.

Troubleshooting

If you are having some difficulty operating the FX 770, see if any of the symptoms listed below apply to your problem, then follow the recommended remedy.

Symptom	Causes	Remedy	Page
No sound, regardless of the volume setting on the unit	MIDI data sent from a connected MIDI device has set the volume to the minimum.	Send MIDI data to raise the volume from the connected MIDI device. Or, remove the MIDI cable connected to the MIDI IN port of the unit.	Page 34
	One of the effect parameters related to the volume has been set to the minimum.	Correct the parameter value.	Pages 37 ~ 63
	Noise gate is set too high.	Change the value to an appropriate value.	Page 16
No effect	BYPASS is effective. (The indicator is on.)	Press the [BYPASS] key to cancel the BYPASS function.	
	The effect parameter value is inappropriate.	Correct the parameter value.	Pages 37 ~ 63
"NO DATA" shown on the LCD when you recall a Program	The unit received inappropriate Program data via MIDI.	Send the correct Program data, modify the Program, or copy a correct Program.	

PROGRAM PARAMETER CHART

Program No. _____

COMP	ON/OFF	TYPE	ATK	SUS	LVL	Title						
	WAH	ON/OFF	TYPE	CTRL	SEN	PNT	SPD	RES	POSITION			
PRE AMP	ON/OFF	TYPE	DRV	MVL	BAS	MID	TRB	PRS	TYP	FIL		
			USER TONE	BAS-FRQ	BAS-Q	MID-FRQ	MID-Q	TRB-FRQ	TRB-Q			
			PREQ-FRQ	PREQ-GAI	PREQ-Q	PsEQ-FRQ	PsEQ-GAI	PsEQ-Q				
INSERT	ON/OFF	INSERT POINT										
AMP SIM	ON/OFF	CHR	DEP	DI								
PITCH	ON/OFF	TYPE	PCL	PFL	VoL	PCR	PFR	VoIR				
			WID	MIX	LVL	DLY	FIL	KEY				
			•PCH	DEP	MIX	LVL	DLY	FIL				
MOD	ON/OFF	TYPE	•CHO	SPD	PMD	AMD	WID	MIX	LVL	DLY	LFO	FIL
			•FLG	SPD	DEP	DLY	FB	WID	MIX	LVL	LFO	FIL
			•SYM	SPD	DEP	WID	MIX	LVL	DLY	FIL		
			•ROT	MODE	MIX	LVL	SLOW	FAST	RATE	FIL		
			•PAN	TEMPO	NOTE	DEP	MIX	LVL	TRG	DIR	LFO	FIL
			•TRM	TEMPO	NOTE	DEP	MIX	LVL	TRG	LFO	FIL	
			•SNW	SEN	RES	MODE	MIX	LVL	FIL			
DELAY	ON/OFF	TYPE	•DL1	DLY	FB	MIX	LVL	DEF	L/R	HF		
			•DL2	DLYL	DLYR	FBD	FB	MIX	LVL	L/R	HF	
			•MDL	DLY	FB	SPD	DEP	MIX	LVL	HF		
			•TD1	TEMPO	NOTE	FB	MIX	LVL	TRG	DEF	L/R	HF
			•TD2	TEMPO	NOTEL	NOTER	NOTEF	FB	MIX	LVL	TRG	L/R
				HF								
			•TMD	TEMPO	NOTE	FB	SPD	DEP	MIX	LVL	TRG	HF
				DLY1	PAN1	VOL1	DLY2	PAN2	VOL2	DLY3	PAN3	VOL3
				DLY4	PAN4	VOL4	DLY5	PAN5	VOL5	DLY6	PAN6	VOL6
			•MTD	MIX	LVL							
•DUC	DLY	FB		THR	MIX	LVL	DEF	L/R	HF			
REVERB	ON/OFF	TYPE	RVT	HF	IDLY	MIX	LVL	GATE LVL				

MIDI CONTROL CHANGE		
CTRL1	MIN	MAX
CTRL2	MIN	MAX

VOLUME POSITION
AMP SIM→VOL→PIT
ALL EFFECTS→VOL

PATCH No.

NOISE GATE LEVEL

Note:

GUITAR EFFECT PROCESSOR

FX770

MANUEL D'UTILISATION

A propos de l'auteur...

Ce manuel a été conçu par Brian C. Swerdfeger, membre de l'équipe de développement du FX770.

Brian C. Swerdfeger connaît les guitaristes et leur matériel. Ayant lui-même une expérience de guitariste professionnel, sa recherche du "gros son" a commencé sur scène à Disneyland. Plus tard, il a ouvert son propre magasin de guitare, spécialisé en guitares customisées et en systèmes professionnels de racks pour guitare. A mesure que sa réputation grandissait, les services de conception de Brian étaient recherchés par les professionnels les plus en vue et par les sociétés qui créent et fabriquent le meilleur équipement pour guitare disponible aujourd'hui. Ces dernières années, il a conçu, construit et programmé des systèmes complets pour guitare pour des douzaines d'artistes de grande renommée dans tous les styles de musique: du métal au jazz, de la pop à la country, et même plusieurs "guitar heroes" de rock classique. En plus de toutes ces activités, Brian travaille également comme chercheur et conseiller pour Yamaha.

Actuellement, la société de Brian, Contempo Music & Media, produit des manuels d'utilisation, des vidéos pédagogiques et continue à concevoir et à programmer des systèmes customisés pour guitare. Connu pour son style unique et personnel, les guitaristes du monde entier peuvent comprendre et s'apparenter à Brian, et grâce à son expérience et à ses connaissances, Brian peut s'apparenter à eux.

Bienvenue au Yamaha FX770

Dédicace. Concentrer votre énergie et vos forces pour arriver au meilleur. En tant que musiciens, nous savons que plus nous consacrons de temps et d'énergie à notre instrument, plus nos possibilités s'étendent et meilleurs sont nos résultats.

Dédié. Le **Yamaha FX770** est spécialement conçu et dédié aux guitaristes. Sa seule fonction est de vous inspirer ce que vous avez de mieux, de vous aider à atteindre de nouveaux stades de créativité et de performance.

Dans le passé, les processeurs de signaux étaient conçus pour beaucoup d'instruments et applications. Dans la plupart des cas, les guitaristes devaient adapter le matériel qui était en fait conçu pour les ingénieurs de studio ou pour l'amélioration du son sur scène. Le **Yamaha FX770** est un nouveau genre d'équipement musical, développé dès le départ comme un outil de traitement du signal qui satisfait tous les désirs, les demandes et les rêves des guitaristes d'aujourd'hui. Sans aucune concession ou compromis, le **Yamaha FX770** est le résultat de notre dévouement pour vous, le guitariste.

Le **FX770** contient tous les ingrédients essentiels nécessaires aux meilleurs professionnels d'aujourd'hui. De l'entrée à la sortie finale, le **FX770** offre une flexibilité et une facilité d'utilisation inégalées. Les neuf boutons d'effet individuel et la molette universelle d'entrée de données (DATA) rendent la programmation rapide et simple. Chaque élément de la chaîne fournit un contrôle complet des paramètres et plusieurs éléments permettent de multiples options de traitement. Le **FX770** VOUS laisse décider du son de votre guitare. Avec 100 programmes pré-réglés et 100 emplacements de programme utilisateur, il y a suffisamment de mémoire pour une vaste bibliothèque de sons.

Ce manuel de l'utilisateur contient toutes les informations dont vous aurez besoin pour tirer pleinement parti de votre **FX770**. Lire ce manuel en entier en essayant les nombreuses caractéristiques et effets contenus dans cet appareil. Le guide de démarrage rapide est conçu pour vous familiariser avec le **FX770**, avec ses caractéristiques et fonctions de base décrites de manière rapide et facile. Cette section est destinée au côté "brancher et jouer" qui est en nous tous. La section de référence fournit des informations complètes et explicatives à propos de chaque effet, caractéristique et fonction, utiliser cette section comme référence pour toute question concernant votre **FX770**. Lorsque vous avez terminé, veuillez conserver ce manuel dans un endroit sûr pour une consultation ultérieure.

Comme pour tout effort, le temps consacré à apprendre et à améliorer votre connaissance du **FX770** ne peut que vous apporter plus de satisfaction et de plaisir concernant cet appareil. Après tout, le **Yamaha FX770** vous est dédié!

Table des matières

Section 1: Caractéristiques et commandes du FX770 3

- 1.1 Disposition et identification du panneau avant 4
- 1.2 Disposition et identification du panneau arrière 5

Section 2: Guide de démarrage rapide 7

- 2.1 Aperçu des applications 8
- 2.2 Les trois modes de fonctionnement du FX770 9
- 2.3 Configuration de programme 10
- 2.4 Comment modifier le son d'un programme préréglé (édition simple) 10
 - 2.4.1 Comment sauvegarder un programme d'effet édité 11
- 2.5 Comment sélectionner et utiliser l'accordeur intégré (Opération simple) 11
- 2.6 Conseils pour tirer le meilleur de votre FX770 12
 - 2.6.1 Utilisation de pédales et de contrôleurs au pied externes 12
 - 2.6.2 Commande MIDI 12
 - 2.6.3 Réglage de niveau dans les blocs d'effets 12

Section 3: Le mode lecture 13

- Affichage de programme principal en mode lecture ... 13
- 3.1 Pour sélectionner et rappeler un programme 13
- 3.2 Activation/désactivation de bloc d'effets 13
- 3.3 Fonctions Bypass et Tuner en mode lecture 14

Section 4: Le mode édition 15

- EDITION DE PARAMETRE D'EFFET 15
- REGLAGE D'AUTRES FONCTIONS 15
- 4.1 CONFIGURATION DE MOTIF D'EFFETS (PATCH SELECT) 15
- 4.2 PORTE DE BRUIT 16
 - POUR SELECTIONNER LA FONCTION DE PORTE DE BRUIT: 16
- 4.3 EDITION DE TITRE 16
- 4.4 POSITION DE LA COMMANDE DE VOLUME 17
- 4.5 EFFETS FS1 ACTIVE/DESACTIVE 18
- 4.6 CIBLES D'EFFETS DU CONTROLEUR 1 ET 2 MIDI 19
- 4.7 COPIE D'EFFET 20
- 4.8 EDITION DES PARAMETRES D'EFFET 21
- 4.9 SAUVEGARDE DE PROGRAMME 22

Section 5: Le mode utilitaires 23

- 5.1 TABLEAU DE CHANGEMENT DE PROGRAMME MIDI 23
- 5.2 REGLAGE DE LA VALEUR MINIMALE POUR LA COMMANDE DE VOLUME 24
- 5.3 FONCTION FS1 24
- 5.4 FONCTION FS2 25
- 5.5 CANAL MIDI 26

- 5.6 ATTRIBUTION DE LA SOURCE DU MIDI CONTROLLER 1 & 2 26
- 5.7 ATTRIBUTION DE CONTROLE D'EFFET ON/OFF DU MFC06 27
 - Réglage d'attribution d'effet activé/désactivé du MFC06 27
- 5.8 SORTIE DE DONNEES DE MASSE MIDI 27

Section 6: Télécommande 28

- 6.1 FONCTIONS DE LA TELECOMMANDE 28
- 6.2 FONCTIONS DU CONTROLEUR AU PIED 28
- 6.3 FONCTIONS DU COMMUTATEUR AU PIED 29
- 6.4 CONTROLE MIDI 31
- 6.5 SCHEMA DE CONTROLE EXTERNE DU FX770 34

Section 7: Référence 35

- 7.1 PARAMETRES DE GROUPE D'EFFETS 35
 - 7.1.1 COMPRESSEUR/LIMITEUR 36
 - 7.1.2 EFFETS WAH 37
 - 7.1.3 PREAMPLI 39
 - 7.1.4 POINT D'INSERTION 41
 - 7.1.5 SIMULATEUR D'AMPLI 41
 - 7.1.6 EFFETS PITCH 42
 - 7.1.7 EFFETS DE MODULATION (MOD) 45
 - 7.1.8 RETARD 52
 - 7.1.9 REVERBERATION 61
- 7.2 GUIDE DE PREREGLAGE DE PROGRAMMES 62
 - Liste de programme préréglé du FX770 62
- 7.3 CONSEILS DE PROGRAMMATION 65
- 7.4 REMARQUE SPECIALE CONCERNANT LES NIVEAUX 66

Section 8: Spécifications 67

- 8.1 FORMAT DE DONNEES MIDI 67
 - FORMAT DE TRANSMISSION 67
 - FORMAT DE RECEPTION 68
 - REMARQUES 69
- 8.2 Spécifications générales 70
- 8.3 Schéma de principe interne 71
- 8.4 Dimensions 72
- 8.5 Option 72

Guide de dépannage 73

Tableau des programmes 74

Précautions

!! Lire ceci avant de procéder !!

- 1. EVITER UNE CHALEUR, UNE HUMIDITE, DE LA POUSSIERE ET DES VIBRATIONS EXCESSIVES**
Eloigner l'appareil des endroits où il est susceptible d'être exposé à de fortes températures ou à l'humidité - comme à côté d'un radiateur, d'un four, etc. Eviter d'installer l'appareil au dessus d'autres appareils qui produisent de la chaleur dans un rack d'appareils ou dans un autre endroit fermé. Laisser un espace de rack entre le FX770 et les autres appareils afin de permettre l'aération. Un panneau de ventilation VP-1 optionnel est disponible chez Yamaha. Eviter également les endroits qui sont soumis à une accumulation excessive de poussière ou de vibrations qui pourraient provoquer des dégâts mécaniques.
- 2. EVITER LES CHOCS PHYSIQUES**
Des chocs physiques importants sur l'appareil peuvent l'endommager. Le manipuler avec précaution.
- 3. NE PAS OUVRIR LE BOITIER OU ESSAYER DE LE REPARER OU DE LE MODIFIER VOUS-MEME**
Cet appareil ne contient aucune pièce réparable par l'utilisateur. Pour toute maintenance, se référer au personnel de réparation qualifié de Yamaha. Ouvrir le boîtier et/ou toucher aux circuits internes annule la garantie.
- 4. S'ASSURER QUE L'APPAREIL EST ETEINT AVANT D'EFFECTUER OU DE RETIRER DES BRANCHEMENTS**
Toujours éteindre l'appareil avant de brancher ou de débrancher des câbles
- 5. MANIPULER LES CABLES AVEC PRECAUTION**
Always plug and unplug cables - including the AC cord - by gripping the connector, not the cord.
- 6. NETTOYER AVEC UN CHIFFON DOUX ET SEC**
Ne jamais utiliser de solvants tels que le benzène ou de diluant pour nettoyer l'appareil. Essuyer avec un chiffon doux et sec.
- 7. TOUJOURS UTILISER L'ALIMENTATION APPROPRIEE**
Toujours utiliser la tension d'alimentation appropriée pour alimenter votre FX770. S'assurer que votre FX770 fonctionne avec la tension d'alimentation de la région où vous voulez l'utiliser (la tension d'alimentation appropriée est marquée sur le panneau arrière, sous le cordon d'alimentation).
- 8. INTERFERENCE ELECTRIQUE**
Le FX770 contenant des circuits numériques, il peut provoquer des interférences et des parasites s'il est placé trop près d'un téléviseur, d'une radio ou d'un équipement similaire. Si un tel problème se produit, éloigner le FX770 de l'équipement concerné.
- 9. CABLES MIDI**
Lors du branchement du FX770 à un appareil MIDI, s'assurer d'utiliser des câbles de bonne qualité conçus spécialement pour la transmission des données MIDI. Eviter les câbles dépassant 15 mètres. Des câbles plus longs peuvent générer des parasites électriques qui peuvent provoquer des erreurs de données.
- 10. SAUVEGARDE DE MEMOIRE**
Le FX770 contient une pile spéciale longue durée qui conserve le contenu de sa mémoire interne RAM même lorsque l'appareil est éteint. La pile de sauvegarde doit durer approximativement 5 ans. Pour une sauvegarde permanente des données, nous recommandons l'utilisation d'un enregistreur de données MIDI tel que le Yamaha MDF2 MIDI Data Filer. Lorsque la tension de la pile tombe à un niveau trop faible pour conserver le contenu de la mémoire, le message suivant apparaît sur l'affichage du FX770 quand l'appareil est allumé:

*** WARNING ***
LOW BATTERY

Si ce message apparaît, faire remplacer la pile de sauvegarde par le personnel de réparation qualifié de Yamaha.
NE PAS ESSAYER DE REMPLACER LA PILE DE SAUVEGARDE SOI-MEME!

11. NUMEROS D'ERREUR

Lorsque le FX770 est allumé pour la première fois, un programme d'auto-diagnostic est automatiquement lancé pour vérifier un certain nombre de paramètres opérationnels importants. Si un problème est trouvé, un numéro d'erreur ("E1" à "E4") apparaît sur l'affichage LED MEMORY. Si un numéro d'erreur apparaît, veuillez apporter le FX770 à votre distributeur Yamaha le plus proche pour la réparation, et s'assurer de communiquer au personnel de réparation le numéro d'erreur qui a été affiché.

Section 1: Caractéristiques et commandes du FX770

Finis les problèmes de poids!

Voici le FX770, et l'époque du rack occupant 24 espaces et pesant 150 kg est révolue.

Auparavant, vous deviez posséder de multiples sources de préamplification, cinq processeurs d'effet, un système de commutation, et l'expérience d'un expert en fusées pour câbler et programmer la montagne d'équipements nécessaires pour avoir toutes les caractéristiques et fonctions qui se trouvent à l'intérieur du Yamaha FX770.

Et on disait "Un jour, on sera capable de faire tout ce que cette montagne de matériel peut faire, et tout tiendra dans un rack à un espace, il suffit d'attendre."

L'attente est terminée!

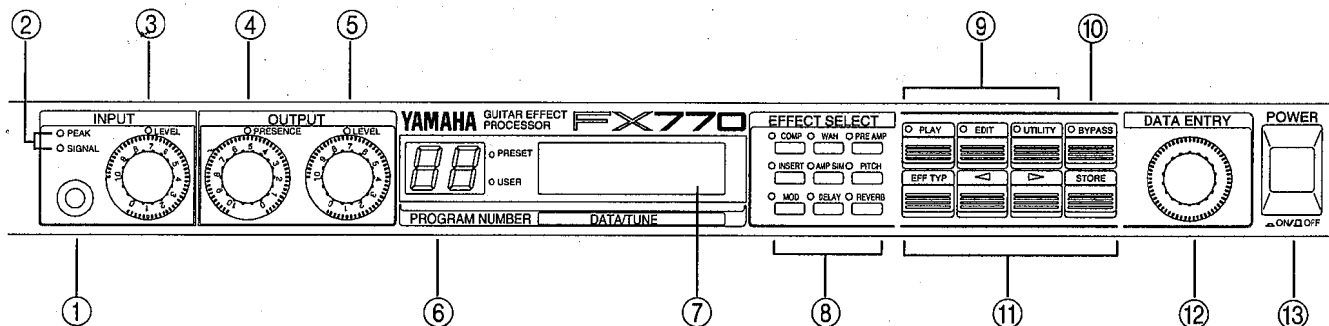
Bienvenue à l'avenir de la guitare, et dans le monde du Yamaha FX770. Avec les caractéristiques et les fonctions dont nous rêvions par le passé, le FX770 est rempli des meilleurs effets jamais conçus.

Ils comprennent;

- Trois types de compresseur/limiteur
- Trois types de WAH avec diverses sources de commande (pédale, niveau d'entrée, LFO, etc.)
- Sept types de préamplification simulés numériquement pour plus de souplesse et un effet d'ampli à lampe
- Une boucle d'effets externes avec deux points d'entrée sélectionnables
- Le volume et la WAH peuvent être contrôlés par un contrôleur au pied (FC7) ou par la pédale de volume de la guitare
- Les paramètres principaux peuvent être contrôlés en temps réel au moyen des changements de commande MIDI
- Un simulateur d'ampli peut reproduire les caractéristiques sonores de diverses enceintes
- Des effets de Pitch comprenant un Pitch Shift stéréo un Pitch Chorus
- Une pléthore d'effets de modulation! Chorus, Flanger, Symphonic, Rotary Speaker, Pan, Tremolo, et le nouveau Resonator
- Des retards époustouflants: Mono Delay, Stereo Delay, Modulation Delay, Tempo Delay, Stereo Tempo Delay, Tempo Modulation Delay, Multi-Tap Delay et Ducking Delay
- Et une réverb - avec des sélections de type Spring, Small et Medium Room, et Hall

Maintenant, imaginez que vous pouvez contrôler les paramètres principaux de chaque effet à partir d'une télécommande! Avec 4 contrôleurs dédiés/programmables et une commande MIDI complète, le FX770 attend vos ordres. Qu'est-ce que vous attendez... allez-y!

1.1 Disposition et identification du panneau avant



① Entrée de guitare

Brancher votre guitare ici, et régler le niveau d'entrée en fonction des instructions de la commande de niveau d'entrée.

② Vu-mètres

Ces indicateurs offrent une aide utile pour régler les niveaux d'entrée et éviter une distorsion involontaire. Ces voyants fonctionnent pour **Entrée de guitare** et pour **Retour de boucle d'insertion** en fonction du réglage du **Commutateur de sélection de vu-mètre** sur le panneau arrière.

③ Commande de niveau d'entrée

Pour un réglage optimal du niveau d'entrée, jouer avec la guitare au niveau de sortie le plus élevé auquel vous jouerez réellement, et ajuster la commande Niveau d'entrée de manière à ce que le Témoin (LED) de signal s'allume la plupart du temps. Le Témoin (LED) de vu-mètre ne doit pas clignoter du tout (il peut clignoter occasionnellement en réponse à des crêtes de haut niveau).

④ Commande de présence de sortie

Cette commande est un filtre de haute fréquence situé sur les sorties stéréos principales. On peut généralement la régler autour de "10", et si le son ne doit pas être aussi brillant -baisser la commande.

⑤ Commande de niveau de sortie

C'est le volume de **Sortie principale**. Sur scène, ou en studio, elle commande la sortie du FX770.

⑥ Affichage de témoin (LED) de numéro de programme

Ces affichages multi-fonctionnels indiquent le **Préréglage** ou le **Numéro de programme utilisateur** actuellement sélectionné, ou en **Mode Tuner**, il affiche le nom de la note.

⑦ Affichage LCD principal

C'est le "centre d'information" principal du FX770, fournissant toutes les informations nécessaires pour la sélection de programme d'effet, les commandes de programmation et d'utilitaires.

⑧ Touches de sélection d'effet

En mode lecture, ces touches sont utilisées pour activer et désactiver les **Blocs d'effets**. (Voir la Section 3 LE MODE DE LECTURE). En mode édition, elles sont utilisées pour sélectionner les **Blocs d'effets** pour l'édition (Voir la Section 4 LE MODE D'EDITION).

Utilisées pour sélectionner le **Bloc d'effet** correspondant, ces touches peuvent également être utilisées pour ajouter ou supprimer un effet du chemin du signal.

⑨ Touches de sélection de mode

Ces touches sont utilisées pour sélectionner les modes de lecture, d'édition, utilitaire et de suppression des effets.

⑩ Touche Bypass

En mode lecture, cette touche est utilisée pour sélectionner les fonctions Bypass et Tuner. En mode édition, elle est utilisée pour activer et désactiver les blocs d'effets pendant l'édition.

⑪ Touches de fonction

En mode édition, ces touches sont utilisées pour sélectionner les types d'effet, déplacer le curseur, et conserver les programmes.

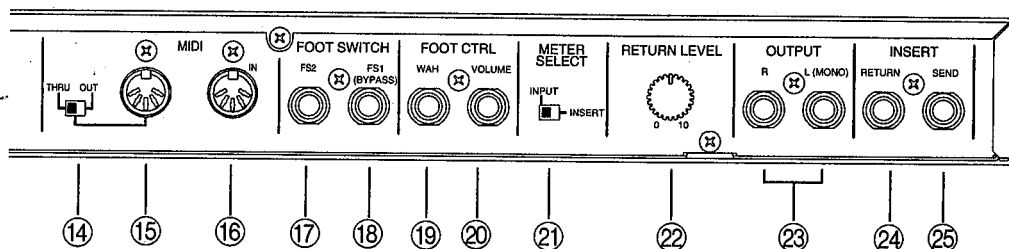
⑫ Molette de données (DATA)

Utilisée pour entrer de nouvelles valeurs et sélections, la **molette de données (DATA Wheel)** rend la programmation rapide et facile.

⑬ Interrupteur d'alimentation

Enfoncé, c'est allumé, sorti, c'est éteint. Tout autre position de cette touche signifie qu'il y a un problème.

1.2 Disposition et identification du panneau arrière

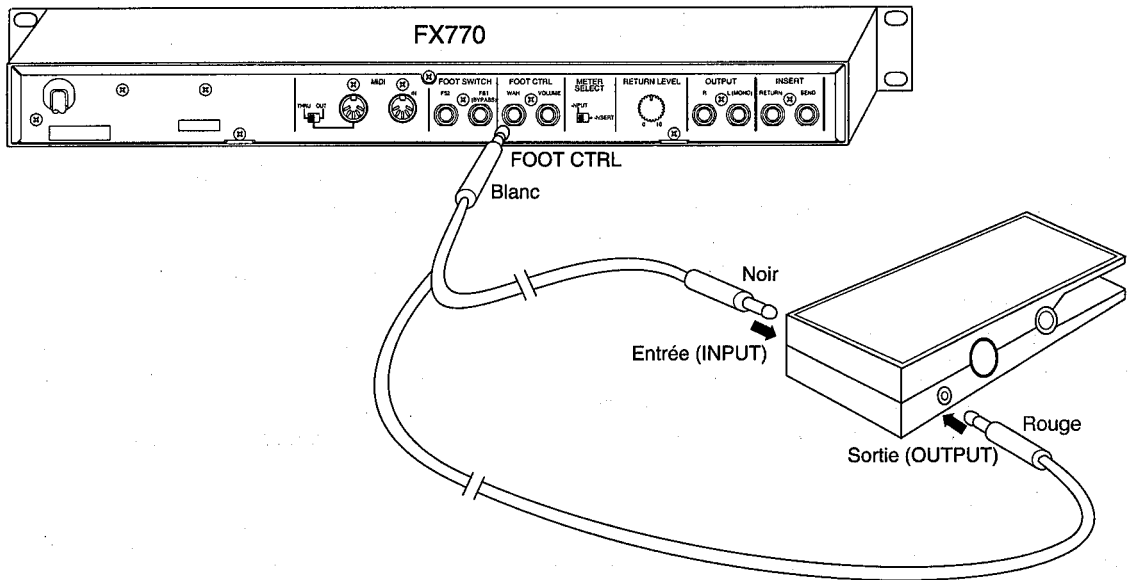
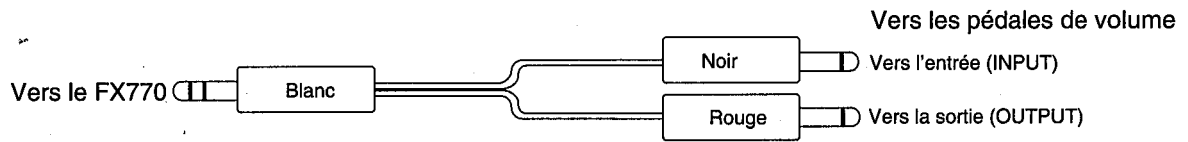


- ⑭ **Sélecteur MIDI Out/Thru**
Sélectionner le type de fonction de la prise MIDI Out/Thru.
- ⑮ **Prise MIDI Out/Thru**
Utilisée pour faire passer les données MIDI à travers ou pour envoyer les données MIDI du FX770 MIDI vers un appareil de stockage externe, la fonction de cette prise est sélectionnée par le sélecteur situé à sa gauche.
- ⑯ **Prise d'entrée MIDI**
Lorsqu'elle est connectée à un contrôleur au pied MIDI ou à un autre appareil d'émission MIDI, cette prise reçoit les données MIDI pour commander le FX770.
- ⑰ **Prise de contrôleur au pied FS2**
Cette prise programmable peut fonctionner comme sélection de banque, sélection de programme, ou comme bouton d'effet. Utiliser le contrôleur au pied optionnel Yamaha modèle FC5.
- ⑱ **Prise de contrôleur au pied FS1 (Bypass)**
Peut être réglée pour activer et désactiver le Bypass/Tuner ou la sélection d'effet. Utilise le contrôleur au pied optionnel Yamaha modèle FC5.
- ⑲ **Prise de contrôleur au pied de la WAH**
Lorsqu'elle est connectée au contrôleur au pied optionnel Yamaha FC7*, cette prise fonctionne comme télécommande de la WAH.
- ⑳ **Prise de contrôleur au pied du volume**
Lorsqu'elle est connectée au contrôleur au pied optionnel Yamaha FC7*, cette prise fonctionne comme télécommande du VOLUME.
- ㉑ **Sélecteur de vu-mètre**
Utilisé pour commuter la fonction des témoins (LEDs) de signal et de crête du panneau avant entre l'entrée ou le retour de boucle d'insertion.
- ㉒ **Commande de niveau de retour**
Commande le niveau de retour de votre effet externe, etc. Utiliser les mêmes précautions que pour le réglage du niveau d'entrée du panneau avant.
- ㉓ **Prises de sortie**
La sortie composite MIX apparaît à ces prises. Le volume de sortie de ces prises est contrôlé par la commande de niveau de sortie située sur le panneau avant.
- ㉔ **Prise d'insertion de retour**
Lorsqu'on utilise la fonction de insertion de boucle, cette prise reçoit la sortie de votre effet externe, etc.
- ㉕ **Prise d'insertion d'envoi**
Lorsqu'on utilise la fonction d'insertion de boucle, cette prise envoie la sortie des effets d'entrée sélectionnés du FX770 vers votre effet externe, etc.

* De même que pour le contrôleur au pied Yamaha FC7, un câble d'insertion E/S Yamaha YIC050 (5 m) permet d'utiliser des pédales de volume répandues pour contrôler la WAH et le volume. Nous recommandons cela pour jouer habituellement debout. Se reporter à l'illustration de la page suivante.

Section 1: FX770 Features and Controls

Le câble d'insertion E/S est également disponible en longueurs de 2.5 m (YIC025), 5 m (YIC050) et 7 m (YIC070).



Section 2: Guide de démarrage rapide

Dans cette section, vous apprendrez toutes les caractéristiques et fonctions de base du FX770.

Les informations contenues ici sont brèves et conçues pour vous permettre de jouer le plus rapidement possible. Le contenu de la section de démarrage rapide comprend:

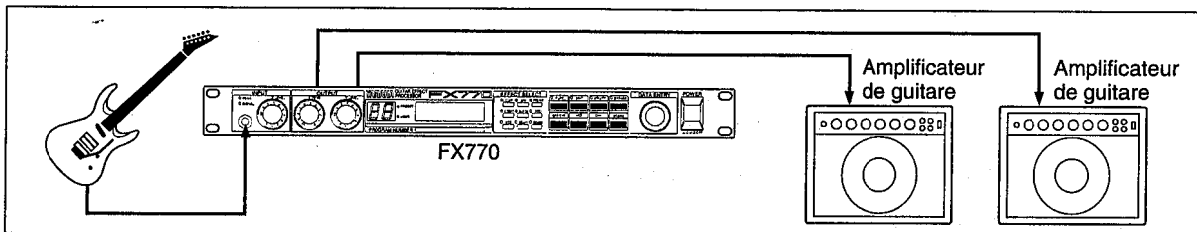
- **Applications et branchements**
- **Trois modes de fonctionnement du FX770** (*lecture, édition et utilitaires*)
- **Configuration de programme**
 - Sélection de programmes pré réglés*
 - Sélection de programmes utilisateur*
- **Comment modifier le son d'un programme pré réglé**
 - Comment éditer et sauvegarder un programme d'effet original*
- **Comment sélectionner et utiliser l'accordeur incorporé**
- **Conseils pour tirer le meilleur de votre FX770**
 - Utilisation de pédales et de contrôleurs externes*
 - Commande MIDI*
 - Réglage du niveau*

Pour une approche complète et détaillée de chaque caractéristique et fonction, se reporter aux autres sections dans ce manuel.

2.1 Aperçu des applications

Le FX770 peut être utilisé dans de nombreux types de configurations différentes. De la répétition privée au concert, de l'enregistrement à domicile aux studios professionnels multipistes, la configuration actuelle de votre système dépend de vos besoins spécifiques. Voici quelques suggestions de configuration qui ont chacune leurs propres avantages, essayez-les et choisissez celles qui vous donnent le meilleur son.

• Concert avec amplificateurs de type combo

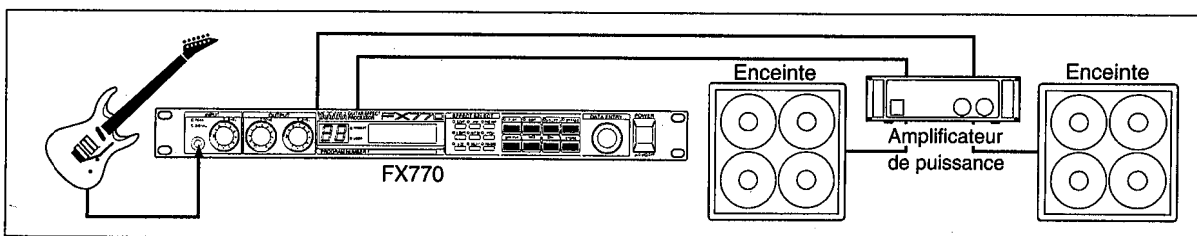


Conseil technique:

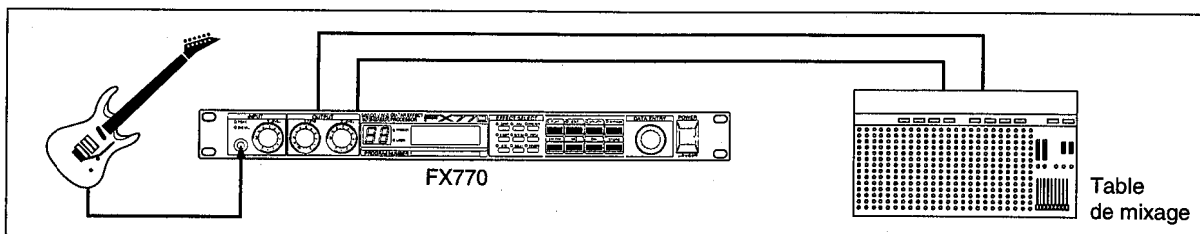
Lorsque le FX770 est utilisé avec un ampli de type combo, essayer les suggestions suivantes pour obtenir les meilleurs résultats. Tous les amplis de type combo contenant une section de préamplification et une section d'amplification, l'objectif est de ne pas dénaturer ou au contraire de modifier le son de votre FX770.

1. Si le combo a une "boucle d'effets", essayer de connecter les sorties stéréos de votre FX770 aux retours de boucle d'effets du combo. Cela devrait contourner la section de préamplification du combo et fournir un accès direct à la section d'amplification.
2. Si le combo n'a pas de boucle d'effets, régler le volume du préampli aussi clair que possible, et régler les commandes de tonalité aussi "à plat" que possible.

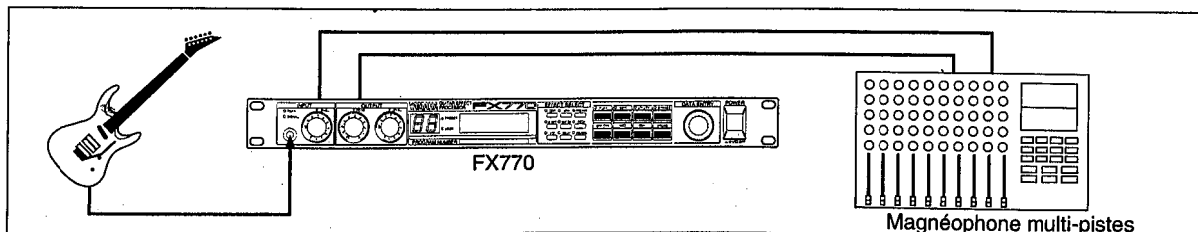
• Concert avec un ampli de puissance et des enceintes



• Concert "Direct" au système à domicile



• Applications d'enregistrement de ligne (DI Direct)



2.2 Les trois modes de fonctionnement du FX770

Le fonctionnement de votre FX770 est divisé en trois modes de base. Chaque mode est dédié à un jeu de fonctions spécifique; et à un moment ou un autre, vous aurez besoin de savoir comment entrer dans chaque mode et quelles caractéristiques et fonctions vous trouverez dans chacun d'eux. Les descriptions suivantes des modes apportent un aperçu de leurs fonctions, pour les détails spécifiques page à page de chaque mode, prière de se reporter aux sections individuelles de mode de ce manuel.

• Le mode lecture

Le mode **PLAY** est le mode principal du FX770. On peut sélectionner et rappeler tout programme préregistré et utilisateur ainsi que contrôler tout contrôleur au pied ou pédale programmée. L'activation et la désactivation d'effet individuel est également possible via les touches [**EFFECT SELECT**]. On entre dans le mode **PLAY** en appuyant sur la touche de fonction [**PLAY**] et un témoin situé au-dessus de la touche [**PLAY**] le confirme.

Les fonctions **Bypass** et **Tuner** intégré sont également disponibles dans ce mode. Ces caractéristiques sont sélectionnées en appuyant sur la touche de fonction [**BYPASS**]. L'accordeur **Tuner** intégré est automatiquement mis en route lorsque la touche de fonction [**BYPASS**] est enfoncée en mode **PLAY**.

Pour des informations complètes concernant le mode **PLAY** et les caractéristiques et fonctions **BYPASS/TUNER**, prière de se reporter à la Section 3.

• Le mode édition

Le mode **EDIT** permet un accès complet et un contrôle de tous les paramètres contenus dans un programme d'effets. Les caractéristiques comprennent: **Sélection de motif**, **Porte de bruit**, **Édition de titre**, **Position de volume**, **Attribution FS1**, **Attributions de contrôleur 1&2**, et **Copie d'effets** peuvent également être changés dans ce mode. On entre dans le mode **EDIT** en appuyant sur la touche de fonction [**EDIT**] et un voyant situé au dessus de la touche [**EDIT**] le confirme.

Le mode **EDIT** permet d'accéder à chaque **Bloc d'effets** individuel pour la sélection et l'édition des valeurs des paramètres d'effet. Les effets peuvent également être activés ou désactivés dans ce mode en utilisant la touche de fonction [**BYPASS**].

Après avoir terminé l'édition, le nouveau programme d'effet ou le programme édité peut être sauvegardé en appuyant sur la touche de fonction [**STORE**]. Si on choisit de ne pas sauvegarder ces éditions, on peut sortir du mode **EDIT** en appuyant sur la touche de fonction [**PLAY**]. Après avoir terminé la séquence Sauvegarde, le FX770 revient automatiquement au mode **PLAY**.

Pour des informations complètes concernant les caractéristiques et les fonctions du mode **EDIT**, prière de se reporter à la Section 4.

• Le mode utilitaires

Ce mode final contient les **Contrôles MIDI** complètes et les **Fonctions attribuables** du FX770. Ici la commande personnalisée de votre FX770 peut être réglée pour l'adapter à vos besoins et les fonctions des divers commandes et connexions MIDI du panneau arrière. Des envois de données complètes (via le téléchargement MIDI) sont également disponibles pour la sauvegarde ou l'archivage de votre travail sur une source de stockage externe. Le mode **UTILITY** est entré en appuyant sur la touche de fonction [**UTILITY**] et il est vérifié par son propre témoin (LED) situé au-dessus de la touche [**UTILITY**].

Pour une information complète concernant les caractéristiques et les fonctions du mode **UTILITY**, voir la Section 5.

2.3 Configuration de programme

Le FX770 contient deux groupes de programmes d'effets: pré-réglés et utilisateur. En mode lecture, appuyer sur la touche [PLAY] pour changer de groupes. Un programme dans le groupe respectif est rappelé lorsqu'un groupe est sélectionné.

• PRÉRÉGLAGE

La zone **PRESET** contient 100 programmes d'effets pré-réglés. Ces programmes pré-réglés ne peuvent pas être effacés ou modifiés, mais ils peuvent être édités et conservés dans la zone **USER** afin de créer votre propre bibliothèque de programmes. Se reporter à la Section 7.2 pour la liste complète des programmes pré-réglés et à la Section 4 pour apprendre comment éditer et sauvegarder.

• UTILISATEUR

La zone **USER** contient 100 emplacements dans lesquels on peut conserver ses propres programmes d'effets. On peut éditer un **PRESET PROGRAM** et conserver ici le programme qui en résulte, ou on peut éditer une programme **USER** existant et conserver la modification ici.

Pour sélectionner et rappeler un programme d'effets:

1. Appuyer sur la touche [PLAY] pour entrer en mode lecture.
2. Appuyer à nouveau sur la touche [PLAY] pour commuter à la zone de programme pré-réglé. Le témoin (LED) de numéro de programme indique la zone sélectionnée actuellement.
3. Utiliser la molette [DATA WHEEL] pour augmenter (tourner dans le sens des aiguilles d'une montre) le numéro de programme ou pour diminuer (tourner dans le sens contraire) jusqu'au programme de votre choix. Les programmes d'effets pré-réglés sont numérotés de 0 à 99 dans la mémoire pré-réglée et utilisateur.

2.4 Comment modifier le son d'un programme pré-réglé (édition simple)

Dès que les réglages sont terminés et que l'on joue avec le FX770, on vérifiera certainement les programmes d'effets pré-réglés chargés en mémoire. Ensuite, dès qu'on a trouvé un pré-réglage d'effets qui semble intéressant, on peut vouloir modifier une partie du son entendu; cela s'appelle l'édition. Les effets du FX770 sont rapidement et facilement édités en mode **EDIT**. Suivre ces étapes pour modifier un son d'effets:

1. Entrer en mode **EDIT** en appuyant un fois sur la touche de fonction [EDIT].
2. Sélectionner le ou les **Effet(s)** que l'on veut changer en appuyant sur la touche [EFFECT SELECT] correspondante.
3. Pour changer le **Type d'effet**, appuyer sur la touche de fonction [EFF TYP] après avoir sélectionné un effet au point #2 précédent. Une pression continue sur la touche [EFF TYP] fait défiler à travers les types d'effets disponibles.
4. Appuyer à nouveau sur la touche [EFFECT SELECT] respective, et la page d'affichage de paramètre change.
5. Utiliser les touches de curseur [◀] et [▶] pour déplacer le curseur jusqu'au(x) paramètre(s) d'effet que l'on désire changer, puis utiliser la molette [DATA WHEEL] pour augmenter ou diminuer les valeurs du paramètre.
6. Pour changer le réglage **Porte de bruit** appuyer deux fois (2x) sur la touche [EDIT] et le **Niveau de porte de bruit** apparaît. Utiliser la molette [DATA WHEEL] pour changer le réglage au niveau désiré.

Les points précédents sont considérés comme une "édition simple". Ils sont là pour vous fournir une leçon d'introduction sur la commande d'édition du FX770. Pour sortir du mode **EDIT**, appuyer sur la touche de fonction **[PLAY]**. On peut maintenant continuer à explorer les programmes d'effets pré-réglés ou **SAVE** les éditions effectuées en suivant les points décrits ci-dessous. Prière de lire la section du mode **EDIT** et la section de référence de ce manuel pour les détails explicatifs de toutes les caractéristiques et options d'édition.

2.4.1 Comment sauvegarder un programme d'effet édité

Si on a édité un de ces programmes pré-réglés, le programme d'effet original qui en résulte sera **SAUVEGARDE** dans un emplacement de programme **USER**. Les étapes pour **SAUVEGARDER** et **EDITER** sont:

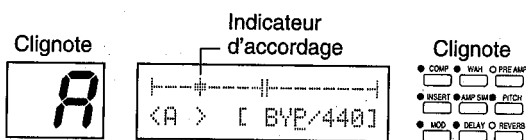
1. Editer le titre de programme à votre convenance (Voir 4.3 EDITION DE TITRE).
2. Toujours en mode **EDIT**, appuyer une fois sur la touche de fonction **[STORE]**.
3. Sélectionner l'Emplacement où on veut **SAUVEGARDER** au moyen de la molette **[DATA WHEEL]**. Le numéro de programme clignote et l'écran à cristaux liquides (LCD) affiche l'emplacement actuellement sélectionné.
4. Après avoir sélectionné le nouvel emplacement de mémoire, appuyer à nouveau sur **[STORE]** pour terminer la procédure. L'écran à cristaux liquides (LCD) affiche momentanément "PROGRAM STORE" et confirme l'opération.

Le FX770 revient en mode **PLAY** après chaque procédure de **SAUVEGARDE**, et sort ainsi automatiquement du mode **EDIT**. Pour une information complète sur les fonctions **EDIT** et **STORE**, se reporter à la Section 4 de ce manuel.

2.5 Comment sélectionner et utiliser l'accordeur intégré (Opération simple)

Le **FX770** est équipé d'une fonction complète d'un **ACCORDEUR** chromatique pour guitare auquel on peut accéder lorsque le mode **Bypass** est sélectionné. Le son de la guitare peut être transmis par la sortie sans effet ou le son peut être coupé pour un "accordage silencieux" sur scène, en fonction du réglage de la fonction **Bypass**. Suivre les étapes ci-dessous pour utiliser le **Tuner** intégré. Pour les détails complets des modes **Tuner** et **Bypass**, lire la section 3.1 de ce manuel.

1. On ne peut accéder au **TUNER** qu'à partir du mode **PLAY**. Prière d'appuyer sur la touche de fonction **[PLAY]** pour confirmer que le FX770 est dans ce mode.
2. Appuyer sur la touche **[BYPASS]** pour activer les fonctions **BYPASS** et **TUNER**.
3. Jouer une corde de la guitare connectée et on voit "l'indicateur d'accordage" s'allumer sur l'écran à cristaux liquides **LCD** ainsi que les témoins **LEDs** dans le bloc de sélection d'effets. La "lettre" de la note apparaît sur l'affichage **Numéro de programme**.

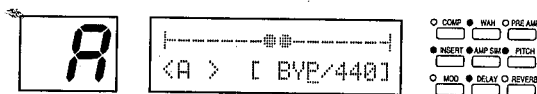


ex.) la corde A a été jouée et est un peu en dessous.



ex.) la corde A a été jouée et est un peu au dessus.

4. Accorder la corde jusqu'à ce que la marque \sharp sur la ligne supérieure de l'écran à cristaux liquides (LCD) se place au centre et change en $\sharp\sharp$, ou jusqu'à ce que le témoin **LED** de la touche **[EFFECT SELECT]** indique $\cdot\cdot\cdot$.



5. Répéter les points 3 et 4 pour chaque corde de la guitare.

Remarque: Voir la Section 3.1 pour les informations concernant la fréquence de l'accordeur et les fonctions avancées de **TUNER** et **BYPASS**.

2.6 Conseils pour tirer le meilleur de votre FX770

Ces conseils vous permettent de tirer pleinement parti de votre FX770. Les informations contenues ici ne donnent qu'un aperçu du fonctionnement, vous trouverez les détails dans les sections indiquées avec chaque fonction.

2.6.1 Utilisation de pédales et de contrôleurs au pied externes

Que font vos pieds pendant que vos mains sont occupées à parcourir le manche de votre guitare? Si vous êtes comme la plupart des joueurs, vous aimeriez avoir une autre main pour accéder à votre matériel pendant que vous jouez, et pendant tout ce temps, vos pieds ne font rien. Le FX770 veut les mettre à contribution! La plupart des paramètres les plus utilisés et modifiés du FX770 peuvent être contrôlés avec les pédales et les contrôleurs au pied externes optionnels, et les suggestions suivantes vous permettent de tirer davantage de votre FX770 pendant que vos mains sont toujours sur la guitare! Voir la Section 6 pour les détails.

1. Utiliser la prise **Volume** pour connecter un contrôleur au pied **Yamaha FC7** optionnel ou une pédale* de volume et vous aurez le contrôle du **VOLUME** du FX770 à deux endroits: a) après le simulateur d'ampli ou b) après tous les effets en volume de sortie principale.
2. Utiliser la prise **WAH** pour connecter un contrôleur au pied **Yamaha FC7** optionnel ou une pédale* de volume et vous aurez le contrôle des fonctions **WAH** du FX770 à deux endroits: a) avant le préampli ou b) après le préampli.
3. Utiliser la prise **FS1** pour connecter un commutateur au pied **Yamaha FC5** optionnel et vous pouvez activer et désactiver les **Effets** individuels ou pour entrer et sortir des modes **Bypass** et **Tuner**.
4. Utiliser la prise **FS2** pour connecter un commutateur au pied **Yamaha FC5** optionnel et vous pouvez contrôler la sélection de **Banque** ou passer dans les **Programmes pré-réglés** et **utilisateur** ou l'utiliser comme **Commutateur d'effet** pour régler le temps de **Tempo Delay** ou de **Rotary/Tremolo**. Voir la Section 5.4 pour les détails.

* Pour utiliser une pédale de volume, vous avez besoin d'un câble d'insertion E/S optionnel (Voir la page 6).

2.6.2 Commande MIDI

Le FX770 permet de contrôler jusqu'à deux paramètres de programme en temps réel au moyen des changements de commande MIDI à partir d'un contrôleur au pied MIDI. Le transfert MIDI permet de copier les données vers un autre FX770 ou de sauvegarder et charger vers un fichier de données MIDI.

Voir la Section 6 pour les détails.

2.6.3 Réglage de niveau dans les blocs d'effets

Une attention particulière doit être portée lors du réglage des niveaux de sortie d'effet individuel parmi les six groupes d'effet. Les groupes compresseur, préampli, pitch, mod, retard et réverbère contiennent tous une commande de paramètre du niveau du signal. Si les réglages de ces niveaux sont trop élevés, un "écrêtage numérique" est produit et une discordance est ajoutée au son. Si un de ces niveaux est réglé trop bas, la sortie du FX770 est détériorée. Ces niveaux ne doivent être utilisés que pour "déniveler" le signal dans un groupe d'effet qui a augmenté ou diminué le niveau normal du signal du FX770. A aucun moment la somme de tous les niveaux de sortie ne doit être supérieure à +6 dB, afin de garantir un chemin de signal propre et réglable. La Section 7.4 contient les détails complets sur la gestion du niveau de sortie.

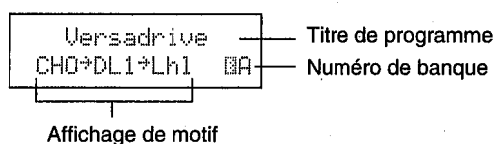
Section 3: Le mode lecture

Le mode **LECTURE** est le mode principal du FX770. On peut sélectionner et rappeler tous les programmes d'effets pré-réglés et utilisateur ainsi que commander tous les contrôleurs au pied ou les commutateurs au pied. L'activation/désactivation d'effet individuel est également possible via les touches de **Sélection d'effet** ou via la télécommande **FS1**. On entre dans le mode **LECTURE** en appuyant sur la touche de fonction **[PLAY]** et le témoin situé au-dessus de la touche **[PLAY]** le confirme.

Les fonctions de **Bypass** et de **Tuner** intégré sont également disponibles dans ce mode. Ces caractéristiques sont sélectionnées en appuyant sur la touche de fonction **[BYPASS]**. Le **Tuner** intégré est automatiquement mis en route lorsque la touche de fonction **[BYPASS]** est enfoncée en mode **LECTURE**. La touche **[PLAY]** est également utilisée pour sélectionner les mémoires de programme. Des pressions répétées commutent entre la mémoire de programmes pré-réglés et utilisateur, et le témoin de mémoire de programme indique l'état actuel.

Affichage de programme principal en mode lecture

L'affichage de programme principal sur l'écran à cristaux liquides (LCD) contient les informations suivantes:



*Le **Titre de programme** contient le nom qui a été attribué à ce programme particulier. L'édition de titre n'est possible que pour les programmes utilisateur, lire la section 4.3 pour les instructions concernant l'édition de titre.*

*L'**affichage de motif** indique la configuration de motif actuellement utilisée pour les blocs d'effet **MOD**, **DELAY**, et **REVERB**. Il correspond à un des 4 types de motifs proposés dans le mode d'édition de sélection de motif. La Section 4.1 détaille la procédure et les options de sélection de motif.*

*Le **Nom de banque** fait référence à la banque **MIDI** sélectionnée dans le tableau de changement de programme **MIDI**. La Section 5.1 explique comment la banque **MIDI** est utilisée.*

3.1 Pour sélectionner et rappeler un programme

Parmi les 100 programmes pré-réglés et les 100 programmes utilisateur, sélectionner et rappeler celui que l'on veut utiliser.

1. Pour entrer en mode de **LECTURE**, appuyer sur la touche de fonction **[PLAY]**. Le mode de lecture est confirmé par son propre témoin.
2. Appuyer à nouveau sur la touche de fonction **[PLAY]** pour sélectionner la mémoire de programme.
Le témoin **[PRESET]** ou **[USER]** à droite du **Numéro de programme** s'allume.
3. Tourner la molette **[DATA WHEEL]** pour sélectionner le programme désiré. Le numéro du témoin de numéro de programme change et le titre de programme et le motif utilisé sont indiqués sur l'écran à cristaux liquides (LCD).

Tourner lentement la molette **[DATA WHEEL]** pour changer le numéro pas à pas, tourner la molette **[DATA WHEEL]** rapidement pour changer rapidement de numéro.

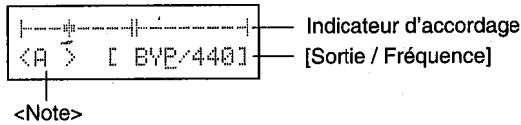
3.2 Activation/désactivation de bloc d'effets

Appuyer sur la touche **[EFFECT SELECT]** pour activer ou désactiver le bloc d'effets. Le témoin correspondant confirme le bloc d'effets qui est activé.

3.3 Fonctions Bypass et Tuner en mode lecture

Le **FX770** est équipé d'une fonction complète d'**ACCORDEUR** chromatique pour guitare à laquelle on accède lorsque le mode **BYPASS** est sélectionné en **MODE LECTURE**. Le son de la guitare peut être sorti sans effet ou il peut être coupé pour un "accordage silencieux" sur scène, en fonction du réglage de la fonction **Bypass Output**.

L'affichage Bypass et Tuner sur l'écran à cristaux liquides contient les informations suivantes:



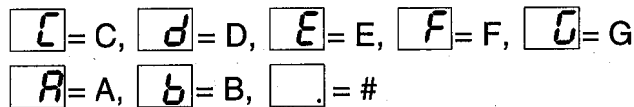
Lorsque vous jouez une corde, ♯ apparaît sur l'**Indicateur d'accordage**. S'il apparaît à gauche de la marque centrale, la corde est en dessous. Si elle apparaît à droite de la marque centrale, la corde est au dessus. Lorsque la corde est accordée, ♯♯ apparaît au milieu de la ligne supérieure de l'écran à cristaux liquides (LCD).

L'indicateur Note affiche le nom de la note en train d'être accordée. Le nom de la note la plus proche de celle jouée apparaît.

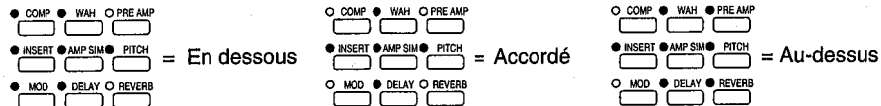
Le paramètre Sortie sélectionne le type de sortie de Bypass. S'il est réglé sur Sourdine, le son sorti du FX770 est coupé comme pour faciliter "l'accordage silencieux" sur scène. Si la sortie Bypass est réglée sur **BYP**, le son sans effet est sorti, et le son "sec" de la guitare est entendu.

Le paramètre **Fréquence** est utilisé pour régler la fréquence d'accord. Cette valeur varie d'une fréquence de 438 Hz à 445 Hz. Les témoins de [Program Number] et de la touche [EFFECT SELECT] indiquent les informations suivantes. C'est pratique pour accorder votre guitare sans le FX770.

TEMOIN [PROGRAM NUMBER]

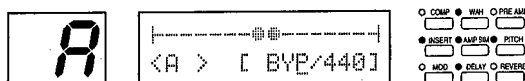


[EFFECT SELECT]



Suivre les points ci-dessous pour régler la fonction **Sortie Bypass** et utiliser l'accordeur intégré.

1. On ne peut accéder à l'**ACCORDEUR** qu'à partir du mode **LECTURE**. Appuyer sur la touche de fonction **[PLAY]** pour confirmer que le FX770 est dans ce mode.
2. Appuyer sur la touche **[BYPASS]** pour activer les fonctions **BYPASS** et **TUNER**.
3. Pour régler la fonction de **Sortie Bypass** de votre choix, utiliser la molette **[DATA WHEEL]** pour sélectionner **MUTE** ou **BYP**.
4. Pour changer la **Fréquence d'accordage**, déplacer le curseur de l'écran à cristaux liquides **LCD** sous le numéro de fréquence au moyen de la touche de curseur **[▶]**. Maintenant, ajuster la fréquence avec la molette **[DATA WHEEL]**.
5. Jouer une corde de la guitare connectée et on voit "l'indicateur d'accordage" s'allumer sur l'écran à cristaux liquides **LCD** ainsi que les témoins dans le bloc de sélection d'effet. La "lettre" de la note apparaît sur l'affichage de **Numéro de programme** ainsi que dans la zone **<Note>** de l'écran à cristaux liquides (LCD).
6. Accorder la corde jusqu'à ce que la marque ♯ sur la ligne supérieure de l'écran à cristaux liquides (LCD) se place au centre et change en ♯♯, ou jusqu'à ce que les témoins de la touche de SELECTION D'EFFET indiquent · · ·.



7. Répéter les points 5 et 6 pour chaque corde de la guitare.

Section 4: Le mode édition

Le mode **EDIT** permet un accès et un contrôle complet des paramètres contenus dans un **Programme d'effets**. En outre, cette fonction comprend: **Sélection de motif**, **Porte de bruit**, **Edition de titre**, **Position de volume**, **Attribution FS1**, **Attributions de Contrôleur 1&2**, et **Copie d'effets** peut également être réglé dans ce mode. Les réglages de paramètre peuvent être conservés. On entre dans le mode **EDITION** en appuyant sur la touche de fonction **[EDIT]** et un témoin situé au-dessus de la touche **[EDIT]** le confirme.

EDITION DE PARAMETRE D'EFFET

Le mode **EDITION** permet d'accéder à chaque **Bloc d'effet** individuel pour la sélection et l'édition des valeurs des paramètres d'effet. Les effets peuvent également être activés ou désactivés dans ce mode au moyen de la touche de fonction **[BYPASS]**.

REGLAGE D'AUTRES FONCTIONS

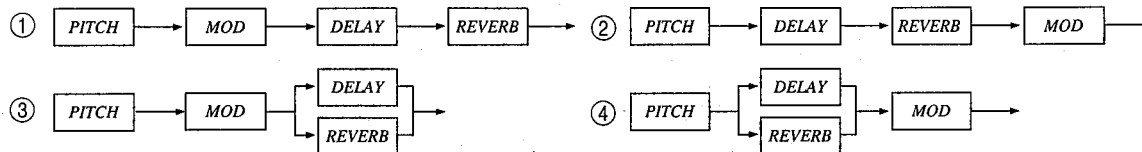
Appuyer sur la touche de fonction **[EDIT]** permet d'éditer les paramètres **Sélection de motif**, **Porte de bruit**, **Edition de titre**, **Position de volume**, **Attribution FS1**, **Attributions de Contrôleur 1&2** et **Copie d'effets**. Lorsqu'on a terminé l'édition, appuyer sur la touche **[STORE]** pour sauvegarder le programme d'effets. Dès que le programme d'effets a été sauvegardé, le mode lecture automatiquement sélectionné. Si on ne veut pas sauvegarder le programme d'effet, appuyer sur **[PLAY]** pour sortir du mode d'édition. Si on essaie de sélectionner un autre programme d'effet, l'écran à cristaux liquides (LCD) demande de sauvegarder le programme. Appuyer à nouveau sur **[PLAY]** pour continuer.

```
Press [STORE]
to save changes
```

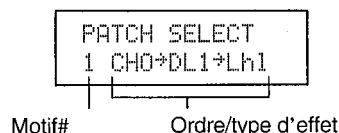
4.1 CONFIGURATION DE MOTIF D'EFFETS (PATCH SELECT)

Le FX770 est équipé de quatre chemins de signal différents programmables appelés **PATCHES**. Ces **PATCHES** déterminent l'ordre des blocs d'effets **MOD**, **DELAY** et **REVERB** et vous permettent de créer une large gamme d'effets variés. Motif est désigné par un nombre **1 - 4** et comprend une combinaison différente de blocs d'effets en série ou en série/parallèle. Lorsqu'un programme est rappelé qui utilise le même motif, le Feedback de retard du programme précédent reste effectif.

Les quatre **Motifs** d'effets sont:



L'affichage Sélection de motif sur l'écran à cristaux liquides **LCD** contient l'information suivante:



Le **Motif #** désigne le numéro de **Motif** sélectionné actuellement comme décrit ci-dessus.

L'affichage d'**Ordre d'effet** et de **Type** contient l'ordre de circulation du signal et montre le type d'effet utilisé dans le programme sélectionné actuellement. →: en série, +: parallèle

La première page du mode **EDIT** est utilisée pour la **Sélection de motif**. Pour atteindre la page **Sélection de motif**, appuyer sur la touche de fonction **[EDIT]** jusqu'à ce que l'affichage **Sélection de motif** apparaisse sur l'écran à cristaux liquides **LCD**. Utiliser la molette **[DATA WHEEL]** pour changer le **Numéro de motif** actuellement sélectionné.

4.2 PORTE DE BRUIT

Le FX770 contient une **NOISE GATE** programmable pratique et facile à utiliser. Cette porte de bruit conçue spécialement peut être utilisée pour éliminer le bruit excessif de la guitare et des réglages de préamplification de gain super élevé. Chaque programme d'effets peut avoir son propre niveau de réduction de bruit déterminé par le réglage de la valeur de **NOISE GATE**. Une attention particulière doit être accordée lors de la sélection de réglages de porte de bruit extrêmement élevé pour ne pas "surfiltrer" les fins des notes.

POUR SÉLECTIONNER LA FONCTION DE PORTE DE BRUIT:

Appuyer sur la touche **[EDIT]** jusqu'à ce que l'affichage indiqué ci-dessous. Utiliser la molette **[DATA WHEEL]** pour augmenter ou diminuer la valeur de la porte de bruit. Un réglage de **0 (zéro)** la désactive et un réglage de **20 (vingt)** est le plus élevé, aboutissant au plus haut niveau de réduction de bruit.

```
NOISE GATE
LEVEL: 8
```

4.3 EDITION DE TITRE

Avec la fonction **TITLE EDIT**, on peut créer des "noms" originaux pour les programmes d'effets conservés dans la mémoire de programme **USER**. Appuyer sur la touche **[EDIT]** jusqu'à ce que l'affichage indiqué ci-dessous apparaisse.

```
TITLE EDIT
Versadrive
```

Utiliser les touches de curseur [**◀**] et/ou [**▶**] pour déplacer le curseur sur le caractère que l'on veut modifier, puis utiliser la molette **[DATA WHEEL]** pour modifier le caractère sélectionné. Les caractères disponibles pour les titres sont indiqués dans le tableau ci-dessous. La longueur totale du titre est limitée à 16 caractères (espaces compris).

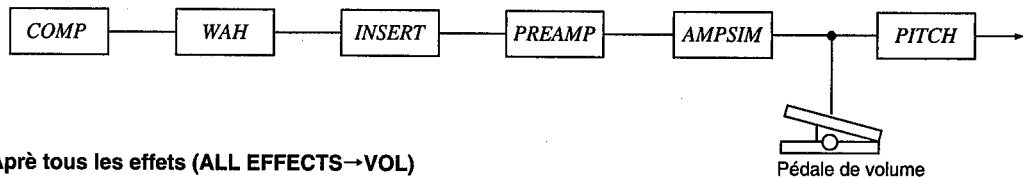
	A	B	C	D	E	F	G	H	I	J	K	L	M	N	O	P	Q	R	S
T	U	V	W	X	Y	Z		a	ä	b	c	d	e	f	g	h	i	j	k
l	m	n	o	ö	p	q	r	s	t	u	ü	v	w	x	y	z		ア	ア
イ	イ	ウ	ウ	エ	エ	オ	オ	カ	キ	ク	ケ	コ	サ	シ	ス	セ	ソ	タ	チ
ツ	テ	ト	ナ	ニ	ヌ	ネ	ノ	ハ	ヒ	フ	ヘ	ホ	マ	ミ	ム	メ	モ	ヤ	ヤ
ユ	ユ	ヨ	ヨ	ラ	リ	ル	レ	ロ	ワ	ヲ	ン	[]	^	□	—		[]
<	>	:	.	*	+	-	=	&	/	,	.	'	%	!	?	→	←	#	
0	1	2	3	4	5	6	7	8	9										

Pour effacer le caractère à la position du curseur, appuyer sur la touche [**◀**] en maintenant la touche **[EFF TYPE]** enfoncée. Pour insérer un espace avant la position du curseur, appuyer sur la touche [**▶**] en maintenant la touche **[EFF TYPE]** enfoncée.

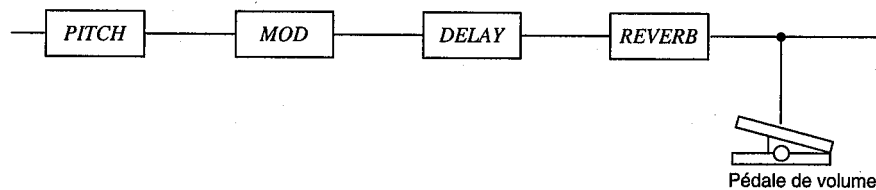
4.4 POSITION DE LA COMMANDE DE VOLUME

Lorsqu'on utilise la fonction de commande de volume externe, la position de la **Commande de volume** du FX770 peut être placée soit sur **Après le simulateur d'ampli (Pre-FX)** ou **Après tous les effets (Post-FX)**. Le schéma suivant vous aide à visualiser ces positions dans un flux de signal. Pour commander le volume, connecter un contrôleur au pied optionnel FC7 Yamaha à la prise de volume du panneau arrière du FX770. Alternativement, utiliser les messages de changement de contrôle MIDI.

① Après le simulateur d'ampli (AMP SIM→VOL→PIT)



② Après tous les effets (ALL EFFECTS→VOL)



Lorsqu'elle est utilisée **Après le simulateur d'ampli**, des effets de "gonflement" type corde sont possibles, avec les effets de retard et de réverbération maintenant leur déclin naturel. Lorsqu'elle est utilisée **Après tous les effets**, la commande agit comme une commande de volume global.

Pour sélectionner la position de volume:

- Appuyer sur la touche **[EDIT]** jusqu'à ce que l'affichage à cristaux liquides (LCD) apparaisse comme ci-dessous.

```
VOLUME POSITION
AMP SIM→VOL→PIT
```

- Utiliser la molette **[DATA WHEEL]** pour sélectionner la position de votre choix.

```
VOLUME POSITION
AMP SIM→VOL→PIT
```

: Schéma ci-dessus ① Après le simulateur d'ampli

```
ALL EFFECTS→VOL
```

: Schéma ci-dessus ② Après tous les effets

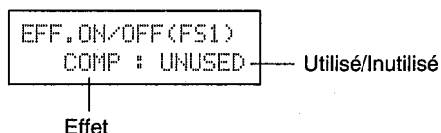
Les niveaux de volume minium sont également programmables pour cette commande, voir la section Utilitaires 5.2.

* Un câble d'insertion E/S optionnel Yamaha est nécessaire lorsqu'une pédale de volume de la guitare est utilisée. (Voir page 6.)

4.5 EFFETS FS1 ACTIVE/DESACTIVE

Lorsque la fonction **FS1** est attribuée à **Effet activé/désactivé**, la cinquième page du mode **EDIT** permet de sélectionner un des neuf blocs d'effets sera affecté par cette commande. Cette fonction est géniale pour "enclencher" un effet spécial pendant un solo ou pour désactiver les effets sélectionnés en cas de non utilisation dans un programme. Chacun ou tous les deux blocs d'effets peuvent être attribués à cette fonction d'activation/désactivation dans chaque programme **USER**. La fonction FS1 doit être réglée sur **EFFECT ON/OFF** en mode utilitaires pour que cette fonction soit opérationnelle. Sinon, "FS1" clignote sur l'affichage à cristaux liquides LCD.

L'affichage **EFF. ON/OFF (FS1)** sur l'écran à cristaux liquides **LCD** contient l'information suivante:



Effet désigne le Bloc d'effets actuellement sélectionné à attribuer.

L'affichage Utilisé ou Inutilisé sélectionne si le bloc d'effets actuellement sélectionné est affecté lorsque le commutateur au pied FS1 est enfoncé.

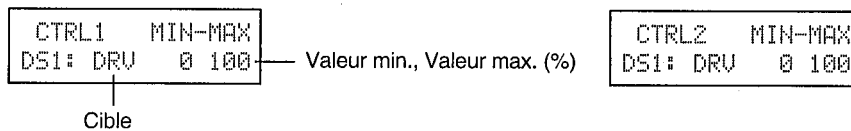
Pour attribuer la fonction FS1 à un bloc d'effets:

1. Appuyer sur la touche **[EDIT]** jusqu'à ce que l'affichage à cristaux liquides **LCD** apparaisse comme ci-dessus.
2. Avec le curseur sous le paramètre d'**Effet**, utiliser la molette **[DATA WHEEL]** pour sélectionner le **Bloc d'effets** qu'on veut attribuer à cette fonction.
3. Utiliser la touche de curseur **[▶]** us le paramètre **Utilisé/inutilisé** et sélectionner ensuite Utilisé ou Inutilisé avec la molette **[DATA WHEEL]**.
4. Répéter les étapes 2 et 3 ci-dessus pour chaque **Bloc d'effets** qu'on veut commander avec **FS1**.

4.6 CIBLES D'EFFETS DU CONTROLEUR 1 ET 2 MIDI

La sixième et septième page du mode **EDIT** sont pour l'attribution des "destinations" ou "**TARGETS**" des deux contrôleurs MIDI. Ces cibles sont les paramètres d'effets qui bénéficient le plus de la "main supplémentaire" qu'un contrôleur continu MIDI peut fournir. Les fonctions de CTRL1 et CTRL2 sont identiques, tandis que leurs fonctions varient seulement par leurs effets différents comme cibles. De plus, pour la sélection d'une cible d'un contrôleur MIDI, le FX770 permet de régler les valeurs de contrôle minimale et maximale.

L'affichage **CTRL1** et **CTRL2** sur l'affichage **LCD** contient l'information suivante:



La Cible désigne le Paramètre d'effets actuellement sélectionné à attribuer au contrôle ou règle la fonction sur Off. Lorsque la cible est sélectionnée, la fonction de contrôle MIDI n'est pas opérationnelle.

La Valeur min. règle la valeur minimale ou la plus faible que le contrôleur affectera. (%)

La Valeur max. règle la valeur maximale ou la plus élevée que le contrôleur affectera. (%)

Pour régler les attributions de CTRL1 et CTRL2:

1. Appuyer sur la touche **[EDIT]** jusqu'à ce que l'affichage **LCD** apparaisse comme ci-dessus. (CTRL1 est à la sixième page du mode **EDIT**)
2. Avec le curseur sous le paramètre **Cible**, utiliser la molette **[DATA WHEEL]** pour sélectionner la **Cible d'effets** qu'on veut attribuer à cette fonction.
3. Utiliser la touche de curseur **[▶]** us le paramètre **Valeur min.** et régler ensuite la valeur minimum avec la molette **[DATA WHEEL]**.
4. Utiliser la touche de curseur **[▶]** us le paramètre **Valeur max.** et régler ensuite la valeur maximale avec la molette **[DATA WHEEL]**.
5. Appuyer à nouveau sur la touche **[EDIT]** et **CTRL2** apparaît sur l'affichage **LCD**. (CTRL2 est à la septième page du mode **EDIT**)
6. Suivre les mêmes étapes que ci-dessus pour le réglage des fonctions et des valeurs **CTRL2**.

Les paramètres suivants peuvent être contrôlés via les changements de contrôle MIDI:

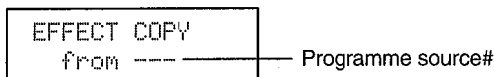
VOLUME	DS2: MID	OD2: FIL	SPI: WID	FLG: WID	PAN: TRG	DL1: HF	TD1: HF	MTD: PAN2	Lhl: RVT
CO1: ATK	DS2: TRB	CRN: DRV	SPI: MIX	FLG: MIX	PAN: DIR	DL2: DLYL	TD2: TEMP	MTD: VOL2	Lhl: HF
CO1: SUS	DS2: PRS	CRN: MVL	SPI: LVL	FLG: LVL	PAN: LFO	DL2: DLYR	TD2: NOTL	MTD: DLY3	Lhl: IDLY
CO1: LVL	DS2: FIL	CRN: BAS	SPI: DLY	FLG: LFO	PAN: FIL	DL2: FBD	TD2: NOTR	MTD: PAN3	Lhl: MIX
CO2: ATK	DS3: DRV	CRN: MID	SPI: FIL	FLG: FIL	TRM: TEMP	DL2: FB	TD2: NOTF	MTD: VOL3	Lhl: LVL
CO2: SUS	DS3: MVL	CRN: TRB	SPI: KEY	SYM: SPD	TRM: NOTE	DL2: MIX	TD2: FB	MTD: DLY4	Lhl: GATE
CO2: LVL	DS3: BAS	CRN: PRS	PCH: DEP	SYM: DEP	TRM: DEP	DL2: LVL	TD2: MIX	MTD: PAN4	Mrm: RVT
LIM: ATK	DS3: MID	CRN: FIL	PCH: MIX	SYM: WID	TRM: MIX	DL2: L/R	TD2: LVL	MTD: VOL4	Mrm: HF
LIM: SUS	DS3: TRB	CLN: MVL	PCH: LVL	SYM: MIX	TRM: LVL	DL2: HF	TD2: TRG	MTD: DLY5	Mrm: IDLY
LIM: LVL	DS3: PRS	CLN: BAS	PCH: DLY	SYM: LVL	TRM: TRG	MDL: DLY	TD2: L/R	MTD: PAN5	Mrm: MIX
WA1: POS	DS3: FIL	CLN: MID	PCH: FIL	SYM: DLY	TRM: LFO	MDL: FB	TD2: HF	MTD: VOL5	Mrm: LVL
WA2: POS	OD1: DRV	CLN: TRB	CHO: SPD	SYM: FIL	TRM: FIL	MDL: SPD	TMD: TEMP	MTD: DLY6	Mrm: GATE
WA3: RES	OD1: MVL	CLN: PRS	CHO: PMD	ROT: MODE	RES: SEN	MDL: DEP	TMD: NOTE	MTD: PAN6	Srm: RVT
WA3: POS	OD1: BAS	CLN: FIL	CHO: AMD	ROT: MIX	RES: RES	MDL: MIX	TMD: FB	MTD: VOL6	Srm: HF
DS1: DRV	OD1: MID	INS: PNT	CHO: WID	ROT: LVL	RES: MODE	MDL: LVL	TMD: SPD	MTD: MIX	Srm: IDLY
DS1: MVL	OD1: TRB	AMP: CHR	CHO: MIX	ROT: SLOW	RES: MIX	MDL: HF	TMD: DEP	MTD: LVL	Srm: MIX
DS1: BAS	OD1: PRS	AMP: DEP	CHO: LVL	ROT: FAST	RES: LVL	MDL: TEMP	TMD: MIX	DUC: DLY	Srm: LVL
DS1: MID	OD1: FIL	AMP: DI	CHO: DLY	ROT: RATE	RES: FIL	TD1: NOTE	TMD: LVL	DUC: FB	Srm: GATE
DS1: TRB	OD2: DRV	SPI: PCL	CHO: LFO	ROT: FIL	DL1: DLY	TD1: FB	TMD: TRG	DUC: THR	Spr: RVT
DS1: PRS	OD2: MVL	SPI: PFL	CHO: FIL	PAN: TEMP	DL1: FB	TD1: MIX	TMD: HF	DUC: MIX	Spr: HF
DS1: FIL	OD2: BAS	SPI: VoIL	FLG: SPD	PAN: NOTE	DL1: MIX	TD1: LVL	MTD: DLY1	DUC: LVL	Spr: IDLY
DS2: DRV	OD2: MID	SPI: PCR	FLG: DEP	PAN: DEP	DL1: LVL	TD1: TRG	MTD: PAN1	DUC: DEF	Spr: MIX
DS2: MVL	OD2: TRB	SPI: PFR	FLG: DLY	PAN: MIX	DL1: DEF	TD1: DEF	MTD: VOL1	DUC: L/R	Spr: LVL
DS2: BAS	OD2: PRS	SPI: VoIR	FLG: FB	PAN: LVL	DL1: L/R	TD1: L/R	MTD: DLY2	DUC: HF	Spr: GATE

4.7 COPIE D'EFFET

C'est une des caractéristiques les plus excitantes du FX770! Dès que vous aurez découvert et maîtrisé la fonction de copie d'effet, vous vous demanderez comment vous avez pu vivre sans!

Imaginez que vous avez passé des heures à créer "l'ultime saturation" et que vous l'avez sauvegardée dans un programme utilisateur. Maintenant, vous aimeriez créer un autre programme avec les mêmes réglages de préamplification mais avec des effets complètement différents. Au lieu de repartir à zéro, la fonction de **copie d'effet** peut être utilisée pour dupliquer et transférer le son original dans le nouveau programme, en économisant ainsi tout le temps passé à recopier ces réglages. Très rapide, très cool!

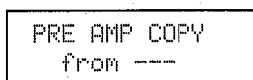
L'affichage de copie d'effet sur l'écran à cristaux liquides contient les informations suivantes:



Le **programme source #** sélectionne le programme à partir duquel l'effet doit être copié.

Pour utiliser la fonction de copie d'effet

1. Appuyer sur la touche **[EDIT]** jusqu'à ce que l'affichage apparaisse comme ci-dessus. Les témoins **[EFFECT SELECT]** concernés clignotent.
2. Appuyer sur la touche **[EFFECT SELECT]** de l'effet que l'on veut copier. Le témoin **[EFFECT SELECT]** concerné clignote.
(pour l'exemple ci-dessous, appuyer sur la touche d'effet de préamplification)



3. Sélectionner le **programme source #** au moyen de la molette **[DATA WHEEL]**. On peut écouter le programme source.
4. Appuyer à nouveau sur la même touche **[EFFECT SELECT]** et les données sont copiées et transférées.
5. Pour copier d'autres effets, répéter les points 2, 3, et 4.

Pour quitter cette fonction, appuyer sur la touche **[PLAY]**, **[EDIT]**, ou **[UTILITY]**.

4.8 EDITION DES PARAMETRES D'EFFET

C'est là que nous pénétrons au coeur du FX770, en éditant les neuf blocs d'effets. Dans cette section, nous apprendrons comment:

- Accéder aux blocs d'effets pour l'édition
- Changer les types d'effet
- Parcourir les pages et les valeurs des paramètres d'effet

Les instructions d'édition qui suivent s'appliquent aux neuf blocs d'effets. Pour les informations spécifiques concernant chaque bloc d'effet et ses paramètres individuels, se reporter aux Sections 7.1 à 7.1.9. On peut accéder à un bloc d'effets pour l'édition à tout moment lorsque le FX770 est en mode **EDITION**. Seul un bloc d'effets peut être sélectionné pour l'édition à un moment donné, mais on peut éditer plusieurs blocs d'effets dans la même session (mais pas simultanément).

Pour accéder à un bloc d'effets pour l'édition

1. Appuyer sur la touche **[EDIT]** pour entrer en mode édition.
2. A partir de n'importe quel page en mode édition (excepté la copie d'effet), appuyer sur la touche **[EFFECT SELECT]** du **Bloc d'effets** qu'on veut éditer.
3. On est maintenant dans le **Mode d'édition d'effet** et on peut changer le **Type d'effet** ou parcourir les **Paramètres d'effet**.

Pour changer le type d'effet

1. Suivre les instructions précédentes pour accéder au bloc d'effet qu'on veut éditer.
2. A partir de n'importe quelle page dans le **Mode d'édition d'effet**, appuyer sur la touche de fonction **[EFF TYP]** jusqu'à ce qu'on atteigne le **Type d'effet** de son choix (le nom du type d'effet apparaît dans le coin supérieur gauche de l'affichage de l'écran à cristaux liquides).
3. On peut maintenant éditer les paramètres d'effet de l'effet sélectionné.

Pour parcourir les pages et les valeurs des paramètres d'effet

1. Appuyer sur la touche **[EDIT]** pour entrer en mode édition, ou vérifier que le FX770 est déjà dans ce mode.
2. A partir de n'importe quelle page en mode édition, appuyer sur la touche **[EFFECT SELECT]** du **Bloc d'effet** qu'on veut éditer. On est maintenant en **Mode d'édition d'effet**.
3. Une pression répétée de la même touche **[EFFECT SELECT]** fait défiler les **Pages du Bloc d'effets** actuellement sélectionné. On peut aussi utiliser les touches de curseur **[◀]** et **[▶]** parcourir les paramètres.

UTILISATION DE LA TOUCHE BYPASS PENDANT L'EDITION D'EFFET

Les blocs d'effet individuel peuvent être sautés indépendamment pendant l'édition d'effet. Cela est particulièrement utile pour isoler le bloc d'effet qu'on est en train d'éditer, on peut ainsi concentrer son attention sur le travail en cours. En outre, la touche Bypass peut être utilisée pour sélectionner un bloc d'effets qui ne peut pas être actif dans le préréglage qu'on édite, donnant ainsi accès à l'effet et permettant l'accès pour l'édition.

Pour sauter ou accéder à un bloc d'effets pendant l'édition d'effets

1. Si l'effet est actif dans le préréglage en cours d'édition, appuyer sur la touche **[BYPASS]** pour **couper** cet effet. Le témoin vert "clignote" maintenant (éteint plus longtemps qu'allumé) indiquant que cet effet est maintenant **sauté**.
2. Si l'effet n'est pas actif dans le préréglage en cours d'édition, appuyer sur la touche **[BYPASS]** pour **activer** cet effet. Le témoin vert "clignote" maintenant (allumé plus longtemps qu'éteint) indiquant que cet effet est maintenant **actif**.

4.9 SAUVEGARDE DE PROGRAMME

Le mode de sauvegarde de programme est utilisé pour sauvegarder toute édition ou modification effectuée dans le programme actuellement sélectionné. Ce mode peut également être utilisé pour déplacer ou replacer un programme dans un nouvel emplacement. On peut sortir du mode de sauvegarde de programme à n'importe quel moment en appuyant sur une des touches [EFFECT SELECT] ou sur les touches [PLAY], [EDIT], [UTILITY] ou [BYPASS].

L'affichage de sauvegarde de programme sur l'écran à cristaux liquides contient les informations suivantes:

1. Appuyer sur la touche [STORE] pour entrer dans le mode **Sauvegarde de programme**.

Versadrive	—	Emplacement de sauvegarde
STORE OK ?	—	STORE OK?

L'emplacement de sauvegarde contient le nom du programme qui a été remplacé par le programme en cours d'édition à sauvegarder.

*Le **TEMOIN DE NUMERO DE PROGRAMME** indique le numéro du programme qui va être remplacé par le programme en cours d'édition à sauvegarder.*

*Le **TEMOIN DE SELECTION D'EFFET** indique le réglage du programme qui sera remplacé lorsque le programme en cours d'édition sera sauvegardé.*

2. Utiliser la molette [DATA WHEEL] pour sélectionner l'emplacement du **Programme utilisateur** où on veut Sauvegarder l'édition actuelle.

Pizazz
STORE OK ?

3. Appuyer à nouveau sur la touche [STORE] pour terminer cette procédure. L'affichage de l'écran à cristaux liquides fait clignoter un message de confirmation tel que l'exemple ci-dessous pendant quelques secondes, puis le mode lecture est sélectionné.

PROGRAM STORE
P1 → U20

Pour sortir ou annuler la sauvegarde de programme

On peut sortir du mode de sauvegarde de programme à tout moment en appuyant sur une des touches [EFFECT SELECT] ou sur les touches [PLAY], [EDIT], [UTILITY] ou [BYPASS].

Section 5: Le mode utilitaires

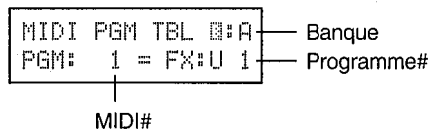
Ce mode final contient les **Contrôles MIDI** compréhensifs et les **Fonctions attribuables** du FX770. Ici on peut la commande personnalisée peut être réglée pour le FX770 adaptée à vos besoins. Des envois de données complètes (via le téléchargement MIDI) sont également disponibles pour la sauvegarde ou l'archivage de votre travail dans une source de stockage externe.

Le mode **UTILITY** est entré en appuyant sur la touche de fonction [**UTILITY**] et il est vérifié par son témoin (LED) propre situé au-dessus de la touche [**UTILITY**].

5.1 TABLEAU DE CHANGEMENT DE PROGRAMME MIDI

Tous les programmes préréglés et programmes utilisateur du FX770 sont disponibles pour être rappelés via le message de changement de programme MIDI. La manière selon laquelle le FX770 répond au changement de programme MIDI est attribuable avec le tableau de changement de programme MIDI. Sept tableaux de changement de programme MIDI différents pour différents "séries" ou situations, appelées banques, permettant ainsi une disposition illimitée de programmes préréglés et utilisateur.

L'affichage du tableau de changement de programme MIDI sur l'écran LCD contient l'information suivante:



***Banque** montre la lettre de la banque actuellement sélectionnée qui est attribuée à ce tableau de changement de programme MIDI.*

*Le **MIDI #** affiche le numéro de changement de programme MIDI entré.*

*Le **Programme #** affiche le programme préréglé ou utilisateur du FX770 à établir au numéro de changement de programme MIDI entré. (**P** pour Préréglage, et **U** pour Utilisateur)*

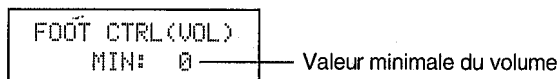
Pour établir un changement de programme MIDI dans un programme du FX770:

1. Appuyer sur la touche [**UTILITY**] pour entrer le mode utilitaires, continuer à appuyer sur la touche [**UTILITY**] jusqu'à ce que l'affichage apparaisse comme ci-dessus.
2. Pour changer l'attribution de **Banque**: Placer le curseur sous la **Lettre de Banque** en utilisant les touches de curseur [**◀**] [**▶**] et sélectionner la banque de votre choix.
3. Pour établir un **Changement de programme MIDI** entré: Placer le curseur sous le **MIDI#** en utilisant les touches de curseur [**◀**] [**▶**] et ensuite utiliser la molette [**DATA WHEEL**] pour sélectionner le numéro de programme MIDI.
4. Pour **Attribuer un Programme du FX770** au numéro de programme MIDI qui vient d'être sélectionné: Placer le curseur sous le **Programme#** en utilisant les touches de curseur [**◀**] [**▶**] pour attribuer le numéro de programme du FX770.

5.2 REGLAGE DE LA VALEUR MINIMALE POUR LA COMMANDE DE VOLUME

Cette fonction sert à régler la valeur minimale du volume du contrôleur au pied optionnel FC7 Yamaha ou de la pédale de volume de la guitare qui peut être connectée à la prise de volume du panneau arrière du FX770.

L'affichage FOOT CTRL (VOL) sur l'écran à cristaux liquides (LCD) contient l'information suivante:



*Valeur de volume minimum affiche la valeur minimale pour la commande de volume.
Valeurs attribuables de 0 à 100.*

Pour régler le volume minimum:

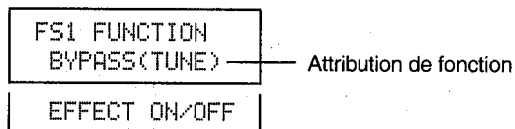
1. Appuyer sur la touche [UTILITY] pour entrer en mode utilitaire, continuer à appuyer sur la touche [UTILITY] jusqu'à ce que l'affichage apparaisse comme illustré ci-dessus.
2. Utiliser la molette [DATA WHEEL] pour régler la valeur du volume minimal de votre choix.

* Un câble d'insertion E/S Yamaha optionnel est nécessaire lorsqu'une pédale de volume pour guitare est utilisée. (Voir page 6.)

5.3 FONCTION FS1

Sélection de fonction FS1 attribue la fonction du commutateur au pied externe FS1 à **Bypass (Tune)** ou à **Effet active/désactivé** (décrit dans la section 4.5 de ce manuel).

L'affichage de fonction FS1 sur l'écran à cristaux liquides (LCD) contient l'information suivante:



Attribution de fonction affiche la fonction sélectionnée actuellement.

Pour régler la fonction FS1

1. Appuyer sur la touche [UTILITY] pour entrer en mode utilitaire, continuer à appuyer sur la touche [UTILITY] jusqu'à ce que l'affichage apparaisse comme illustré ci-dessus.
2. Utiliser la molette [DATA WHEEL] pour régler la fonction FS1 de votre choix.

5.4 FONCTION FS2

Sélection de fonction FS2 attribue le commutateur au pied externe FS2 à l'une des fonctions suivantes.

- Cycle de banque
- Cycle de programme
- Commutateur d'effets

L'affichage de fonction FS2 sur l'écran à cristaux liquides (LCD) contient l'information suivante:

FS2 FUNCTION BANK: A → G	— Attribution de fonction
PROGRAM:P 1→U99	
EFFECT TRIGGER	

Attribution de fonction affiche la fonction sélectionnée actuellement.

Les Options comprennent:

- Cycle de banque** - lorsque cette option est sélectionnée, le commutateur au pied FS2 fait avancer les banques attribuées.
- Cycle de programme** - lorsque cette option est sélectionnée, le commutateur au pied FS2 fait avancer les programmes attribués
- Commutateur d'effet** - lorsque cette option est sélectionnée, le commutateur au pied FS2 enclenche les effets tels que le retard de tempo ou la vitesse de rotation.

Pour régler la fonction FS2

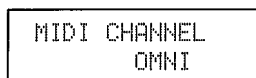
1. Appuyer sur la touche [UTILITY] pour entrer en mode utilitaire, continuer à appuyer sur la touche [UTILITY] jusqu'à ce que l'affichage apparaisse comme illustré ci-dessus.
2. Utiliser la molette [DATA WHEEL] pour régler la fonction FS2 de votre choix.
3. Si **Cycle de banque** est sélectionné, utiliser la touche de curseur [▶] et la molette [DATA WHEEL] pour attribuer les banques qu'on veut faire défiler.
ex.) Spécifier A → C ensuite A → B → C → A
4. Si **Cycle de programme** est sélectionné, utiliser la touche de curseur [▶] et la molette [DATA WHEEL] pour attribuer les numéros de programme qu'on veut faire défiler. N'importe quel numéro entre P0 et U99 peut être spécifié.
ex.) Lorsque P98 → U2 est spécifié.
→ P98 → P99 → U0 → U1 → U2
Lorsque U2 → P98 est spécifié
→ U2 → U1 → U0 → P99 → P98
5. Si **Commutateur d'effet** est sélectionné, aucun autre réglage n'est nécessaire. Ne pas oublier d'attribuer le commutateur FS2 au paramètre d'effets en mode d'édition d'effets.

5.5 CANAL MIDI

Cette fonction règle le canal MIDI reçu. Le FX770 peut recevoir sur n'importe quel canal MIDI, Omni ou Off.

Pour régler le canal MIDI

1. Appuyer sur la touche [UTILITY] pour entrer en mode utilitaire, appuyer plusieurs fois sur la touche [UTILITY] jusqu'à ce que l'affichage apparaisse comme illustré ci-dessous.



MIDI CHANNEL
OMNI

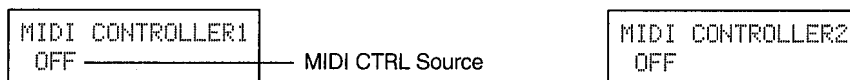
2. Utiliser la molette [DATA WHEEL] pour sélectionner le canal MIDI 1 ~ 16, Omni ou Off.

Si OMNI est sélectionné, le canal de réception est OMNI et le canal de transmission est le canal 1.

5.6 ATTRIBUTION DE LA SOURCE DU MIDI CONTROLLER 1 & 2

Le FX770 permet d'attribuer deux **Contrôleurs MIDI** externes pour un contrôle en temps réel des paramètres d'effets. N'importe quel contrôleur d'un instrument MIDI ou contrôleur au pied MIDI qui transmet des numéros de changement de contrôle MIDI entre 1 et 95 peut être utilisé. De plus, la note, la vitesse et la pression du canal peuvent également être identifiés. Cette section décrit comment régler les **Sources de contrôleur MIDI** pour les deux contrôleurs **MIDI CONTROLLER 1** et **MIDI CONTROLLER 2**. Les **Cibles d'effets du contrôleur MIDI** sont attribués en mode **EDIT**, lire la section 4.6 pour les détails.

L'affichage du **MIDI CONTROLLER 1** et **MIDI CONTROLLER 2** sur l'écran à cristaux liquides **LCD** contient l'information suivante:



MIDI CONTROLLER1
OFF ——— MIDI CTRL Source

MIDI CONTROLLER2
OFF

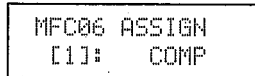
***MIDI CTRL Source** détermine la source d'information du contrôleur MIDI que le FX770 va recevoir. Ce paramètre peut être réglé sur OFF, ou sur n'importe quel numéro de contrôleur MIDI entre 1 et 95. On peut aussi sélectionner Note de tonalité, Vitesse de tonalité, ou Pression de canal pour une MIDI Controller Source.*

Pour régler les attributions de MIDI CONTROLLER 1 et MIDI CONTROLLER 2:

1. Appuyer sur la touche utilitaire [UTILITY] jusqu'à ce que l'affichage à cristaux liquides **LCD** apparaisse comme illustré ci-dessus. (**MIDI CONTROLLER 1** et **MIDI CONTROLLER 2** sont décrits dans les pages suivantes).
2. Utiliser la molette [DATA WHEEL] pour sélectionner la source **MIDI CONTROLLER SOURCE** qu'on veut attribuer au **MIDI Contrôleur 1**.
3. Appuyer à nouveau sur la touche [UTILITY] pour atteindre le **MIDI Contrôleur 2**, ensuite utiliser la molette [DATA WHEEL] pour sélectionner la **MIDI CONTROLLER SOURCE** qu'on veut attribuer.
4. Ne pas oublier d'attribuer les cibles du MIDI Contrôleur pour les deux MIDI Contrôleurs 1 et 2! Ces fonctions sont réglées en mode **EDIT** et sont décrites dans la Section 4.6 de ce manuel.

5.7 ATTRIBUTION DE CONTROLE D'EFFET ON/OFF DU MFC06

Les effets du FX770 peuvent être activés et désactivés en utilisant un contrôleur au pied MIDI optionnel MFC06 Yamaha. Les commutateurs MFC06 [1] à [5] peuvent être attribués à l'un des neuf blocs d'effets du FX770.



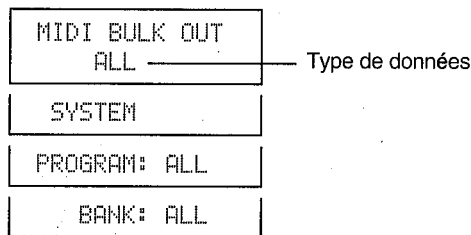
Réglage d'attribution d'effet activé/désactivé du MFC06

1. Appuyer sur la touche [UTILITY] jusqu'à ce que l'affichage à cristaux liquides (LCD) apparaisse comme illustré ci-dessus.
2. Déplacer le curseur vers la gauche, et sélectionner les commutateurs MFC06 [1] à [5] à l'aide de la molette [DATA WHEEL].
3. Déplacer le curseur vers la droite, et sélectionner un bloc d'effet FX770 à l'aide de la molette [DATA WHEEL].
‡ Coller les auto-collants de blocs d'effets fournis sur le MFC06.

5.8 SORTIE DE DONNEES DE MASSE MIDI

La fonction de sortie de données de masse MIDI permet de transmettre un envoi de masse de données d'un programme simple, de programmes multiples, d'une initialisation de système, d'un tableau de changement de programme d'une banque simple, ou de toutes les données ci-dessus via la prise MIDI Out/Thru. C'est génial pour archiver ou pour faire des sauvegardes de données importantes du FX770.

L'affichage de **MIDI Bulk Out** sur l'écran à cristaux liquides **LCD** contient l'information suivante:



Type de données sélectionne le type de données (DATA) à envoyer de la prise de sortie MIDI.

Pour transmettre des données MIDI:

1. Régler le commutateur de **MIDI Out/Thru** du panneau arrière sur la position "Out".
2. Appuyer sur la touche [UTILITY] jusqu'à ce que l'affichage à cristaux liquides **LCD** apparaisse comme illustré ci-dessus.
3. Utiliser la molette [DATA WHEEL] pour sélectionner **Type de données MIDI** qu'on veut transmettre.

Les types de données MIDI comprennent:

ALL	Données de tous les programmes, système, et tableau de changement de programme
SYSTEM	Données d'initialisation de système (ex. réglages d'utilitaires actuels, etc.)
PROGRAM	Les données pour les emplacement(s) mémoire spécifiés.
BANK	Le tableau de changement de programme MIDI de la banque sélectionnée.

4. Si **Programme** ou **Banque** est sélectionné, utiliser la touche de curseur [▶] et la molette [DATA WHEEL] pour sélectionner le numéro de programme ou Tous les programmes, ou pour sélectionner la banque (A - G ou Toutes les banques) qu'on veut transmettre.
5. Appuyer sur la touche [Store] pour commencer la transmission des données MIDI.

La masse de données FX770 est envoyée sur le canal MIDI spécifié par le paramètre de canal midi (MIDI CHANNEL). Voir la section 5.5. Si ce paramètre est réglé sur OMNI, la masse de données est envoyée sur le canal MIDI 1.

Section 6: Télécommande

6.1 FONCTIONS DE LA TELECOMMANDE

Le FX770 peut être commandé à distance en connectant le pédalier optionnel ou l'élément MIDI à l'une des cinq bornes externes du panneau arrière. Les fonctions suivantes peuvent être commandées à distance:

- **Prise de VOLUME (commutateur au pied)**
 - Contrôle du niveau de volume
- **Prise WAH (commutateur au pied)**
 - Contrôle de la Wah
- **Prise FS1 (commutateur au pied)**
 - Commutation BYPASS (TUNE) ON/OFF
 - Commutation EFFECT ON/OFF
- **Prise FS2 (commutateur au pied)**
 - Rappel d'un programme
 - Sélection d'une banque
 - Changement de vitesse
 - Réglage de TEMPO
- **Prise MIDI IN**
 - Rappel d'un programme (PROGRAM CHANGE)
 - Réglage de TEMPO (MIDI CLOCK)
 - Réglage de changement de vitesse (NOTE-ON MESSAGE)
 - Réglage des paramètres (CONTROL CHANGE, etc.)
 - Réglage de niveau de volume (CONTROL CHANGE, ACTIVE SENSING)
 - Commutation d'effet ON/OFF par MFC06
 - Vidage de masse (EXCLUSIVE MESSAGE)
 - Sélection d'une banque (EXCLUSIVE MESSAGE)

6.2 FONCTIONS DU CONTROLEUR AU PIED

- **Prise de VOLUME**

L'utilisation du contrôleur au pied FC7 Yamaha ou d'une pédale de volume de la guitare* vous permet d'ajuster le niveau de volume. La position du niveau de volume peut être réglée et le niveau de volume minimal (le niveau de volume le plus bas réglé par le contrôleur au pied FC7) peut être réglé.

1. Régler le volume minimal ("5.2 Réglage de la valeur minimale pour la commande de volume" à la page 24).
2. Régler la position de volume ("4.4 Position de commande de volume FC1" à la page 17).
3. Sauvegarder les données si nécessaire.
4. Connecter le contrôleur au pied à la prise de VOLUME.

La position de volume décrite dans "4.4 Position de la commande de volume du FC1" à la page 22 affecte le volume MIDI. C'est-à-dire, il y a deux volumes sur une position.

* Un câble d'insertion E/S optionnel Yamaha est nécessaire lorsqu'une pédale de volume de la guitare est utilisée. (Voir page 6.)

- **Prise WAH**

Utiliser le contrôleur au pied FC7 Yamaha ou une pédale de volume de la guitare* pour contrôler la Wah.

1. Régler le paramètre CTRL de "7.1.2 Effets WAH" à la page 37 sur "FOOT CTL."
2. Connecter le contrôleur au pied à la prise WAH.

* Un câble d'insertion E/S optionnel Yamaha est nécessaire lorsque une pédale de volume de la guitare est utilisée. (Voir page 6.)

6.3 FONCTIONS DU COMMUTATEUR AU PIED

• Prise FS1

BYPASS (TUNE)

La fonction BYPASS peut être contrôlée en utilisant le commutateur au pied FC5. En appuyant sur le commutateur au pied FC5, il bascule entre la position BYPASS ON/OFF. "TUNER" est sélectionné lorsque le FX770 est en mode de lecture et BYPASS est placé sur ON. Ceci est très utile lorsqu'on veut utiliser le tuner sur scène.

1. Sélectionner "BYPASS (TUNE)" dans "5.3 Fonction FS1" à la page 24.
2. Sauvegarder les données si nécessaire.
3. Connecter le commutateur au pied à la prise FS1.

• Prise FS2

Rappel d'un programme

Un programme peut être sélectionné à l'aide du commutateur au pied FC5 Yamaha. Chaque fois que le commutateur au pied FC5 est enfoncé, le numéro de programme augmente ou diminue de un. La plage de numéros de programme pouvant être rappelés peut également être spécifiée.

1. Re-mémoriser les programmes dans l'ordre de rappel désiré, si nécessaire.
2. Régler "PROGRAM: xxx Æ xxx" dans "5.4 Fonction FS2" à la page 25 et spécifier la plage de numéros de programme pouvant être rappelés.

e.x.1) 62 → 65:

e.x.2) 65 → 62:

3. Connecter le commutateur au pied à la prise [FS2].

• Sélection d'une banque

Une banque peut être sélectionnée en utilisant le commutateur au pied FC5 Yamaha. Chaque fois que le commutateur au pied FC5 est enfoncée, la banque change une par une par ordre alphabétique. La gamme de banques qu'on peut rappeler peut également être spécifiée. En utilisant seulement le contrôleur au pied MFC05 ou MFC06 pour changer les programmes, seuls 10 (5) programmes peuvent être rappelés. Toutefois, le fait d'utiliser cette fonction permet de rappeler 70 (35) programmes.

Voir "5.1 Tableau de changement de programme MIDI" à la page 23 pour les détails concernant la banque.

1. Se reporter à "5.1 Tableau de changement de programme MIDI" à la page 23 pour établir un changement de programme MIDI.
2. Régler "BANK: × → ×" dans "5.4 Fonction FS2" à la page 25 et spécifier la gamme des banques effectives.

e.x.1) B → G:

e.x.2) G → B:

3. Connecter le commutateur au pied au port [FS2].

• Changement de vitesse

Le paramètre de MODE "MOD:ROT" peut être modifié en appuyant sur le commutateur au pied FC5 Yamaha. La séquence de commutation est la suivante:

→ STOP → SLOW → FAST → SLOW → STOP → SLOW → FAST

1. Sélectionner "EFFECT TRIGGER" dans "5.4 Fonction FS2" à la page 25 et spécifier le titre de banque effectif.
2. Régler le type d'effet du bloc MOD sur "ROT."
3. Connecter le commutateur au pied à la prise FS2.

• Réglage de TEMPO

Le paramètre du TEMPO peut être réglé en bloc MOD ou bloc DLY en utilisant le commutateur au pied FC5 Yamaha. L'intervalle entre deux pressions sur le commutateur au pied est utilisé comme paramètre de bloc MOD et bloc DLY. Cette fonction est effective pour les effets suivants.

Bloc MOD: PAN, TRM

Bloc DLY: TD1, TD2, TMD

Lorsque le commutateur au pied est enfoncé pendant que l'affichage à cristaux liquides (LCD) affiche le paramètre du bloc d'effets disponible (un bloc pour lequel cette fonction est effective), l'affichage affiche une graphique indiquant que le temps est mesuré. Appuyer sur le pédalier avant l'apparition de cette graphique pour régler la paramètre du TEMPO.

1. Sélectionner "EFFECT TRIGGER" dans "5.4 Fonction FS2" à la page 25.
2. Sélectionner le type d'effet disponible pour le bloc MOD ou le bloc DLY. Changer le paramètre TRG en FS2.
3. Connecter le commutateur au pied à la prise FS2.

6.4 CONTROLE MIDI

- **Rappel d'un programme (PROGRAM CHANGE)**

Un programme peut être rappelé du FX770 en utilisant le composant MIDI. Sept banques (A-G) peuvent être utilisées pour attribuer les numéros de changement de programme envoyés du composant MIDI aux numéros de programme du FX770. Le canal MIDI de chaque banque peut également être réglé.

1. Sélectionner et régler une banque dans "5.1 Tableau de changement de programme MIDI" à la page 23. Une banque peut être sélectionnée à l'aide du commutateur au pied.
2. Régler le canal dans "5.5 Canal MIDI" à la page 26 de sorte que le canal correspond à celui du composant de transmission MIDI. Le fait de sélectionner "OMNI" envoie les données sur tous les canaux.
3. Connecter le composant de transmission MIDI à la prise d'entrée MIDI IN du panneau arrière.

- **Réglage d'un TEMPO (MIDI CLOCK)**

Comme le FS2, on peut utiliser l'horloge MIDI transmise à partir d'un séquenceur ou d'une boîte à rythme pour régler un TEMPO. On peut sélectionner les effets qui peuvent être utilisés avec le FS2.

Lorsque le FX770 reçoit l'horloge MIDI pendant que l'écran à cristaux liquides indique le paramètre du bloc d'effets disponible, l'indicateur clignote sur l'affichage.

1. Sélectionner le type d'effet disponible pour le bloc MOD ou pour le bloc DLY. Changer le paramètre TRG en MIDI.
2. Connecter l'appareil de transmission MIDI à la prise MIDI IN.

Il faut une période de temps équivalente à un huitième de note pour que le FX770 règle le paramètre TEMPO après le changement d'intervalle de l'horloge MIDI.

- **Commande de changement de tonalité (NOTE ON MESSAGE)**

Le FX770 reçoit un message "Note-on" du contrôleur MIDI pour contrôler les paramètres PITCH PCL et PCR.

1. Régler le canal dans "5.5 Canal MIDI" à la page 26 de sorte que le canal correspond à l'unité de transmission MIDI. Lorsque "OMNI" est sélectionné, les données sont envoyées sur tous les canaux.
2. Régler le paramètre KEY dans 7.1.6 à la page 43.
3. Connecter l'unité de transmission MIDI à une prise MIDI IN du panneau arrière.

La différence de tonalité entre le message "Note-on" et le paramètre KEY est utilisée pour les paramètres PCL et PCR. Ces paramètres ont la relation suivante:

Lorsqu'un message "Note-on" d'une corde est envoyé, le paramètre PCL utilise la note la plus haute, et le paramètre PCR utilise la seconde note la plus haute.

Cette fonction fonctionne indépendamment des réglages du Contrôleur 1&2 "<<KEY NOTE." Si on n'a pas besoin de cette fonction, régler le paramètre KEY sur OFF.

Différence de tonalité (lorsque le paramètre KEY est C4): Paramètres PCL, PCR

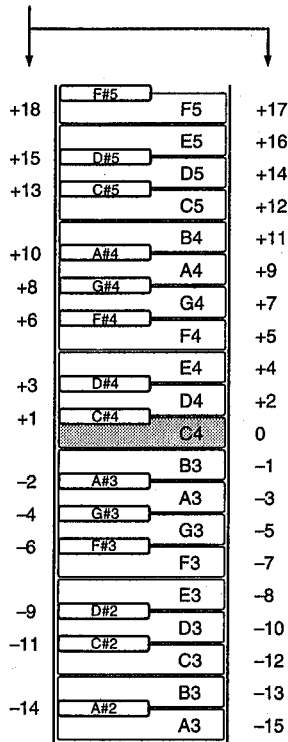
e.x.) Lorsque le paramètre KEY est réglé sur C4:

Lorsque le paramètre "Note-on" est G4:

Selon le schéma, la différence de tonalité entre G4 et C4 est +7, qui devient la valeur des paramètres PCL et PCR.

Lorsque le paramètre "Note-on" change de G4 en E3:

La différence de tonalité entre E3 et C4 est de -8, qui devient la valeur des paramètres PCL, PCR.



• Contrôle de paramètre (CONTROL CHANGE, etc.)

Le FX770 peut recevoir deux messages de changement de contrôle simultanément. Cela signifie que deux paramètres peuvent être changés pour les effets utilisés en même temps. De cette manière, une multitude de nuances peut être ajoutée en temps réel.

1. Régler le canal dans "5.5 Canal MIDI" à la page 26 de sorte que le canal corresponde à celui de l'unité de transmission MIDI. Lorsque "OMNI" est sélectionné, les données sont envoyées sur tous les canaux.
2. Régler MIDI CTRL Source ("5.6 Attribution de source du contrôleur 1 & 2 MIDI" à la page 26) pour faire correspondre le numéro de contrôle de l'unité de transmission MIDI.
3. Sélectionner le paramètre qu'on veut contrôler dans "4.6 Cible d'effets du Contrôleur 1 & 2 MIDI" à la page 19, et régler la plage.
4. Connecter l'unité de transmission MIDI à la prise MIDI IN du panneau arrière.

Les Contrôleurs 1 et 2 ont la même fonction. Toutefois, le même paramètre ne peut pas être sélectionné pour les deux contrôleurs simultanément.

Sélectionner un numéro de contrôle parmi les options suivantes.

Numéro	Contrôleur MIDI
OFF	
1	Molette de modulation
2	Contrôle de souffle
3	Non défini
4	Contrôleur au pied
5	Temps de Portamento
6	* Entrée de données
7	Volume global
8	Commande d'équilibre
9	Non défini

Numéro	Contrôleur MIDI
10	Panpot
11	Expression
12-15	Non défini
16-19	Unités générales
20-31	Non défini
64	Pédale d'appui
65	Portamento
66	Sostenuto
67	Pédale douce
68	Non défini

Numéro	Contrôleur
69	Maintien 2
70-79	Non défini
80-83	Unité générale
84-91	Non défini
92	Profondeur de Tremolo
93	Profondeur de Chorus
94	Profondeur Celeste
95	Profondeur de Phaser
<<	Note de tonalité
<<	Vitesse de tonalité
<<	Pression de canal

• Commande de volume (CONTROL CHANGE, ACTIVE SENSING)

Le FX770 a un volume (volume MIDI) indépendant des programmes. On ne peut pas éditer ce niveau de volume comme un paramètre, mais on peut le contrôler au moyen d'un message de changement de commande MIDI. Ce volume suit toujours le message de commande le plus récent, et ne change pas de valeur lorsqu'un autre programme est appelé.

1. Régler le canal de "5.5 Canal MIDI" à la page 26 de sorte que le canal correspond à celui de l'unité de transmission MIDI. Lorsque "OMNI" est sélectionné, les données sont envoyées sur tous les canaux.
2. Régler MIDI CTRL Source ("5.6 Attribution de source des Contrôleurs 1 & 2 MIDI" à la page 26) pour faire correspondre le numéro de l'unité de transmission MIDI.
3. Sélectionner "VOLUME" dans "4.6 Cible d'effets des Contrôleurs 1 & 2 MIDI" à la page 19, et régler la plage.
4. Régler la position de volume dans "4.4 Position de volume FC1" à la page 17.
5. Connecter l'unité de transmission MIDI à la prise MIDI IN du panneau arrière.

Le réglage dans "4.4 Position de contrôle de volume FC1" affecte aussi le volume contrôlé par la prise VOLUME. C'est-à-dire, il y a deux commandes de volume sur une position.

Régler le niveau de volume MIDI au maximum dans les cas suivants pour éviter que le volume reste à un niveau bas.

- Lorsque l'unité est allumée
- Lorsqu'un programme qui n'utilise pas le volume MIDI est rappelé.
- Lorsqu'on change un programme de sorte qu'il n'utilise pas le volume MIDI
- Lorsqu'on change le réglage du contrôleur de volume MIDI
- Lorsque le câble MIDI a été déconnecté (La détection active était coupée)
- Lorsque le signal MIDI n'est pas transmis correctement.

• Utilisation du contrôleur MFC06 pour activer/désactiver l'effet

Le contrôleur au pied MFC06 Yamaha peut être utilisé pour activer/désactiver les effets du FX770.

Attribuer les commutateurs 1-5 du MFC06 à 9 blocs d'effets du FX770.

1. Régler le canal MIDI ("5.5 Canal MIDI" à la page 26) sur "OMNI" ou "1."
2. Régler l'attribution de désactivation/activation d'effet ("5.7 Attribution d'effet d'activation/désactivation du MFC06" à la page 27).
3. Connecter le MFC06 à la prise MIDI IN du panneau arrière.

• Masse de données (EXCLUSIVE MESSAGE)

Trois types de message de masse de données peuvent être envoyés; Mémoire, Banque, et Système. Le FX770 peut les recevoir en mode de lecture et en mode d'édition. Les données reçues sont utilisées pour changer les réglages actuels à l'intérieur du FX770.

MEMORY: Écrit le programme reçu dans le numéro de programme spécifié.

BANK: Écrit les données reçues dans la BANK spécifiée.

SYSTEM: Écrit les données reçues sur les réglages de base du FX770 normalement trouvé en mode utilitaires.

1. Régler le canal dans "5.5 Canal MIDI" à la page 26 de sorte que le canal correspond à celui des données de masse. Lorsque "OMNI" est sélectionné, les données sont envoyées sur tous les canaux.
2. Connecter l'unité de transmission MIDI à la prise MIDI IN du panneau arrière.

Envoyer le message de données de masse dans "5.8 Sortie de données de masse MIDI" à la page 27.

Deux FX770 ne peuvent pas être connectés pour échanger les données. Dans ce cas, régler le canal MIDI sur les deux unités au même numéro.

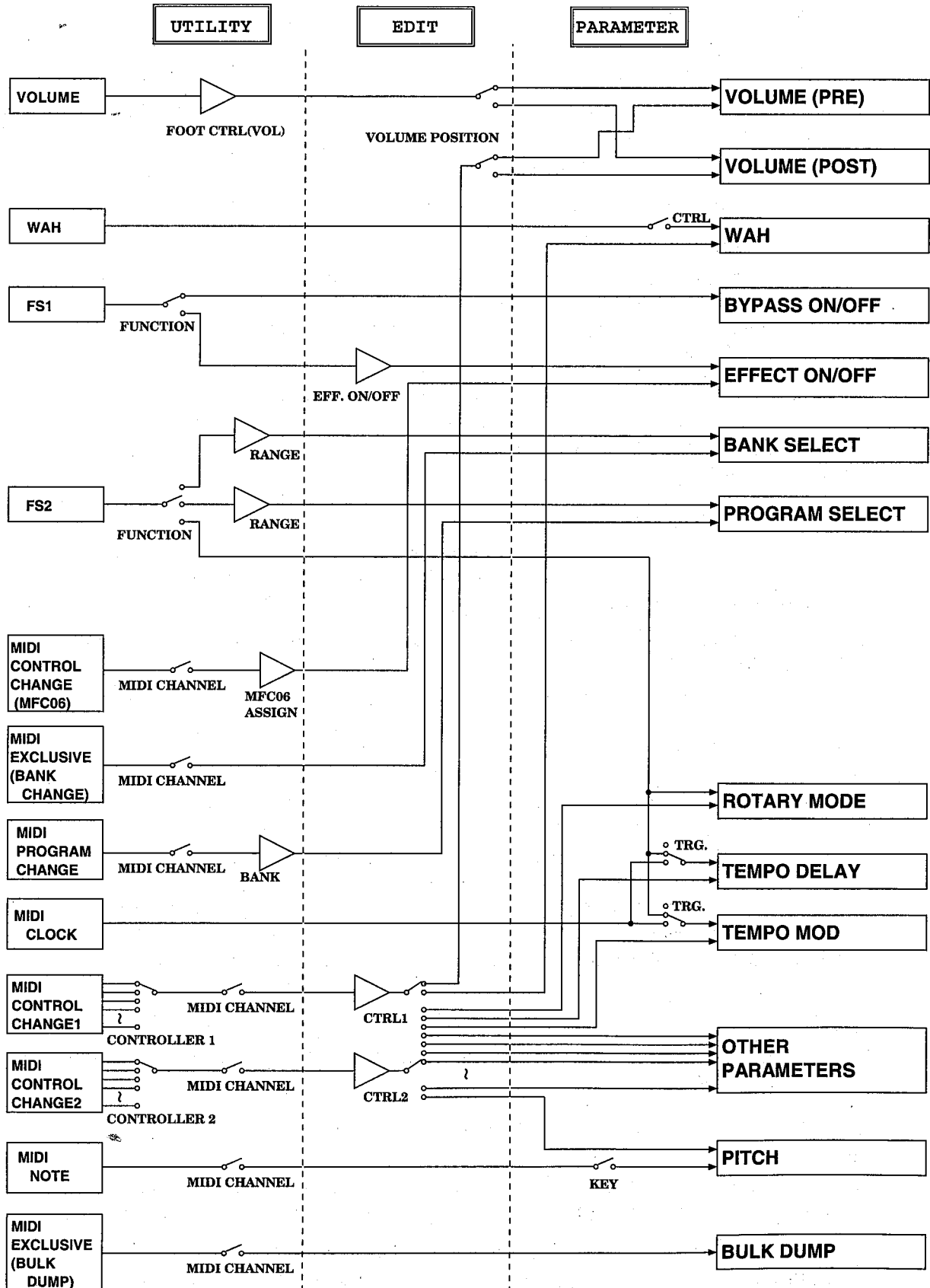
• Commutation de banque (EXCLUSIVE MESSAGE)

Commute la banque.

1. Régler le canal dans "5.5 Canal MIDI" à la page 26 de sorte que le canal correspond à celui des données de masse. Lorsque "OMNI" est sélectionné, les données sont envoyées sur tous les canaux.
2. Connecter l'unité de transmission MIDI à la prise MIDI IN du panneau arrière.

Le FX770 ne peut pas envoyer un message pour commuter la banque. Utiliser un ordinateur pour le faire.

6.5 SCHEMĂ DE CONTROL EXTERNE DU FX770



Section 7: Référence

Cette section comprend de brèves descriptions des effets et des types d'effet du FX770, ainsi que des descriptions des paramètres disponibles pour chaque effet. Elle comprend également un guide de programmes pré-réglés qui vous aidera à comprendre à quoi ces programmes pré-réglés ressemblent, et des remarques et des conseils de programmation spéciaux. Prière de lire une fois cette section en entier de manière à savoir de quoi est capable le FX770, puis utiliser cette section comme référence pour répondre à des questions occasionnelles.

7.1 PARAMETRES DE GROUPE D'EFFETS

Cette section indique toutes les pages d'écran à cristaux liquides de chaque type d'effet comprenant sa liste de paramètres avec les noms des paramètres et les échelles de valeur. Il y a beaucoup d'effets différents dans le FX770, et nous espérons que vous trouverez un usage pour chacun dans une application ou une autre. La meilleure manière d'en apprendre sur tous les types d'effet est d'installer votre FX770, puis de lire cette section et d'examiner chacun des effets un par un.

7.1.1 COMPRESSEUR/LIMITEUR

Depuis l'époque des petites pédales d'effet à l'utilisation actuelle des appareils montés en rack, le compresseur a toujours été un outil vital pour le guitariste. Le FX770 propose un compresseur classique conçu spécialement pour la guitare (tout comme votre pédale favorite), et un limiteur moderne afin de satisfaire vos besoins sonores actuels en rack.

Type 1 & 2: CO1 (Compresseur 1), CO2 (Compresseur 2)

Le compresseur CO2 a un effet plus profond que le CO1.

Page 1

```
COx ATK SUS LVL
  xx xxx xxx
```

Paramètre #	Nom	Fonction	Valeur/Gamme
Paramètre 1	ATK	Temps d'attaque	0 ~ 20
Paramètre 2	SUS	Soutien	0 ~ 100
Paramètre 3	LVL	Niveau de sortie	-∞, -30 ~ +6 [dB]

Remarques:

- Temps d'attaque** Détermine combien de temps la compression prend pour commencer après la détection d'un signal d'entrée. Une valeur plus élevée accentue l'attaque.
- Soutien** Détermine combien de temps la compression prend pour être relâchée après la chute du signal d'entrée.
- Niveau de sortie** Equilibre le niveau de sortie lorsque le bloc d'effets Compresseur/Limiteur est utilisé. (Régler ce niveau avec précaution! Normalement, le volume doit être réglé pareil que quand CMP/LIM est activé ou désactivé). Toutefois, une autre technique est d'élever le niveau de sorte que la distorsion sera plus effective.

Type 3 LIM (Limiteur)

Page1

```
LIM ATK SUS LVL
  xxx xxx xxx
```

Paramètre #	Nom	Fonction	Valeur/Gamme
Paramètre 1	ATK	Temps d'attaque	0 ~ 20
Paramètre 2	SUS	Soutien	0 ~ 100
Paramètre 3	LVL	Niveau de sortie	-∞, -30 ~ +6 [dB]

Remarques:

- Temps d'attaque** Détermine combien de temps la compression prend pour commencer après la détection d'un signal d'entrée. Une valeur plus élevée accentue l'attaque.
- Soutien** Détermine combien de temps la compression prend pour relâcher après la chute du signal d'entrée.
- Niveau de sortie** Equilibre le niveau de sortie lorsque le bloc d'effets Compresseur/Limiteur est utilisé. (Régler ce niveau avec précaution! Normalement, le volume doit être réglé pareil que quand CMP/LIM est activé ou désactivé). Toutefois, une autre technique est d'élever le niveau de sorte que la distorsion sera plus effective.

7.1.2 EFFETS WAH

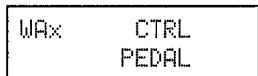
Aucun autre effet ne caractérise l'ère du "rock classique" mieux que la WAH. Cet effet a transformé de nombreux guitaristes en "Guitar Heroes". Le FX770 propose non pas une mais trois types d'effet WAH. Tous les types d'effet WAH peuvent être contrôlés au pied (via l'entrée du contrôleur au pied), par la sensibilité (entrée guitare), placés en position fixe ou réglés pour être transformés en Auto WAH (LFO).

Type 1 & 2: WA1 (WAH 1) WA2 (WAH 2)

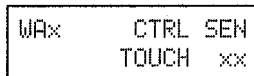
Les deux WA1 et WA2 sont des filtres passe-bas de type wah.

WA1 simule une pédale wah classique, et WA2 a une gamme de fréquence plus large.

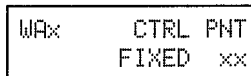
Page 1



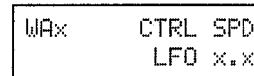
Page 1a



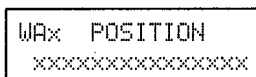
Page 1b



Page 1c



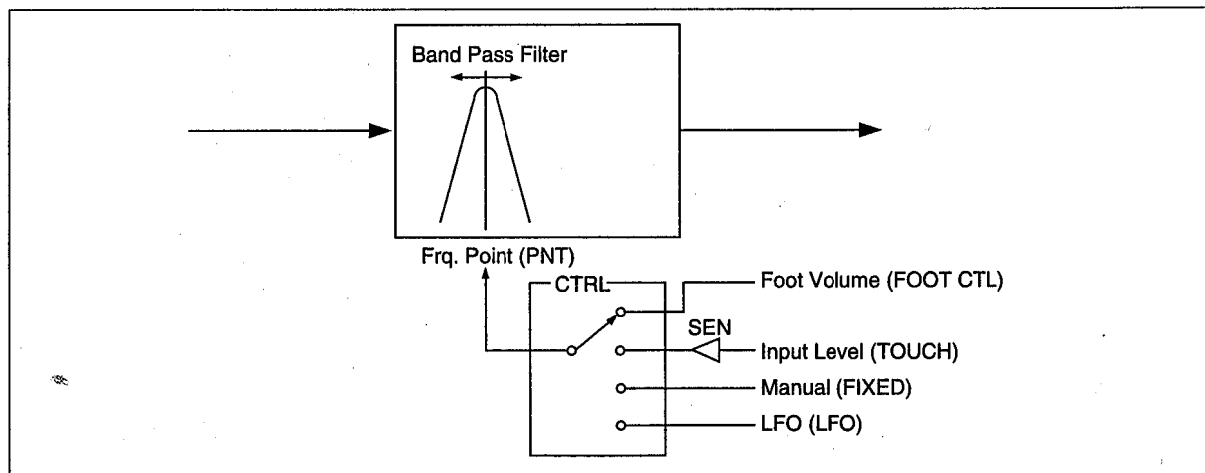
Page 2



Paramètre #	Nom	Fonction	Valeur/gamme
Paramètre 1	CTRL	Contrôleur	PEDAL, TOUCH, FIXED, LFO
Paramètre 1a	SEN	Sensibilité	0 ~ 8
Paramètre 1b	PNT	Point fixe	0 ~ 63
Paramètre 1c	SPD	Vitesse LFO	0.1 ~ 9.9 [Hz]
Paramètre 2	POSITION	Position de la WAH	WAH→EXT→PREAMP (WAH→PREAMP→EXT) EXT→PREAMP→WAH (PREAMP→EXT→WAH)

Remarques:

- Contrôleur** Détermine la source de contrôle de la WAH.
 - PEDAL** Contrôleur au pied FC7 ou pédale* de volume pour guitare connectée à la prise WAH du panneau arrière.
 - TOUCH** Intensité de micro
 - FIXED** Fréquence fixe
 - LFO** LFO interne
- Sensibilité** Régle le seuil de la touche de sensibilité d'entrée WAH.
- Point fixe** Régle la fréquence concentration/renforcement d'une WAH stationnaire.
- Vitesse LFO** Détermine la vitesse à laquelle la WAH balaie automatiquement.
- Position** Sélectionne l'emplacement de la WAH dans la chaîne de parcours du signal.



* Un câble d'insertion E/S est nécessaire si une pédale de volume de la guitare est utilisée. (Voir Page 6)

Type 3: WA3 (WAH 3)

WA3 est une wah de type filtre passe-bas.

Page 1

```
WA3 CTRL RES
PEDAL   xxx
```

Page 1a

```
WA3 CTRL SEN RES
TOUCH  xx xxx
```

Page 1b

```
WA3 CTRL PNT RES
FIXED  xx xxx
```

Page 1c

```
WA3 CTRL SPD RES
LFO   x.x xxx
```

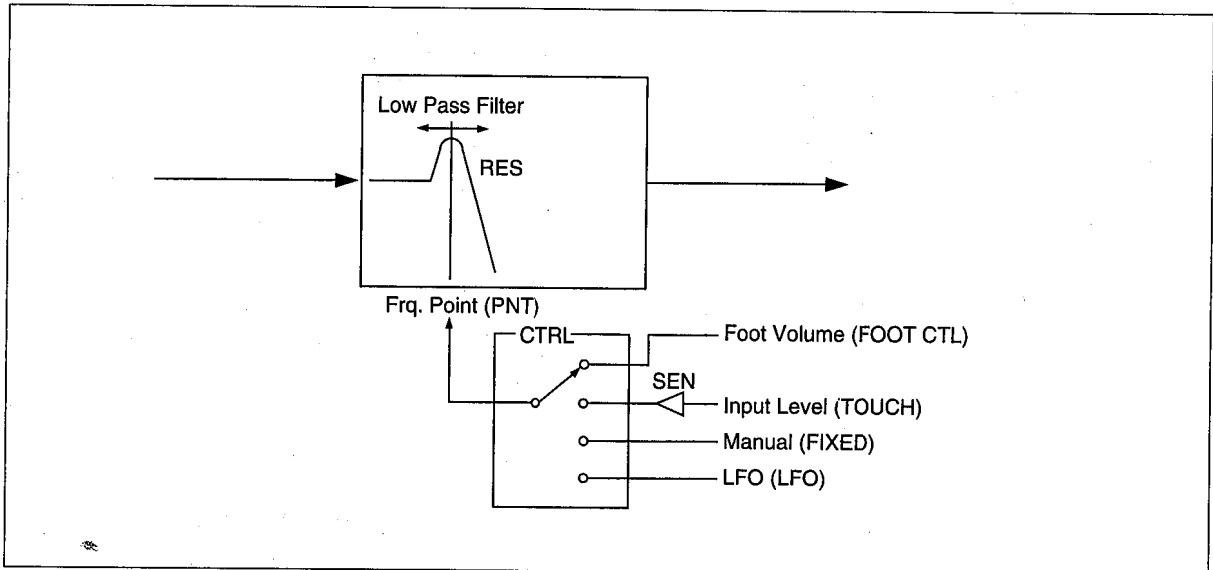
Page 2

```
WA3 POSITION
xxxxxxxxxxxxxxxx
```

Paramètre #	Name	Function	Value/Range
Paramètre 1	CTRL	Contrôleur	PEDAL, TOUCH, FIXED, LFO
Paramètre 1a	SEN	Sensibilité	0 ~ 8
Paramètre 1b	PNT	Point fixe	0 ~ 63
Paramètre 1c	SPD	Vitesse LFO	0,1 ~ 9,9 [Hz]
Paramètre 2	RES	Résonance	1 ~ 100
Paramètre 3	POSITION	Position WAH	WAH→EXT→PREAMP (WAH→PREAMP→EXT) EXT→PREAMP→WAH (PREAMP→EXT→WAH)

Remarques:

- Contrôleur** Détermine la source de contrôle WAH.
- PEDAL** Contrôleur au pied FC7 ou pédale de volume de la guitare* connecté à la prise WAH du panneau arrière.
- TOUCH** Intensité d'attaque
- FIXED** Fréquence fixe
- LFO** LFO interne
- Sensibilité** Régle le seuil de la touche de sensibilité d'entrée WAH.
- Point fixe** Régle la fréquence de concentration/renforcement d'une WAH stationnaire.
- Vitesse LFO** Détermine la vitesse de balayage automatique de la WAH.
- Résonance** Contrôle le son du filtre de WAH.
- Position** Sélectionne l'emplacement de la WAH dans la chaîne de parcours du signal.



* Un câble d'insertion E/S optionnel Yamaha est nécessaire lorsqu'une pédale de volume de la guitare est utilisée. (Voir page 6.)

7.1.3 PREAMPLI

Le préampli peut être une version "tout numérique d'un préampli de haute qualité sur rack" qui a une suramplification/ distorsion différente. Le FX770 est doté de commandes de tonalité (graves, médium, aiguës, présence) et pré/post EQ, ainsi que de six canaux de commande et un canal propre, permettant ainsi de créer tout type de son.

Type 1: DS1, 2, 3 (Distorsion 1,2,3)

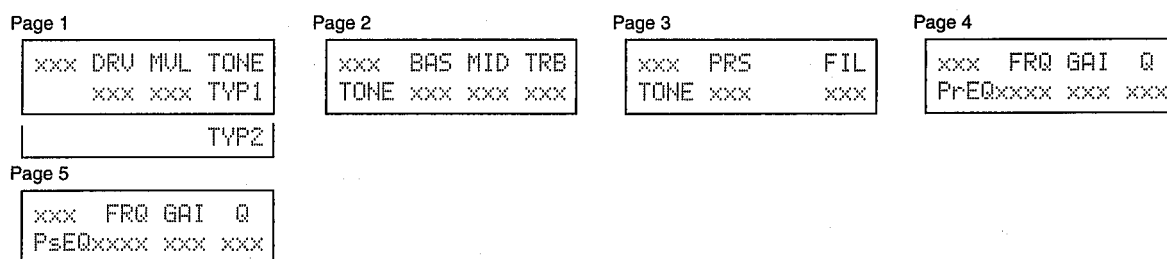
Type 4, 5: OD1 & OD2 (Suramplification 1 & 2)

Type 6: CRN (Crunch)

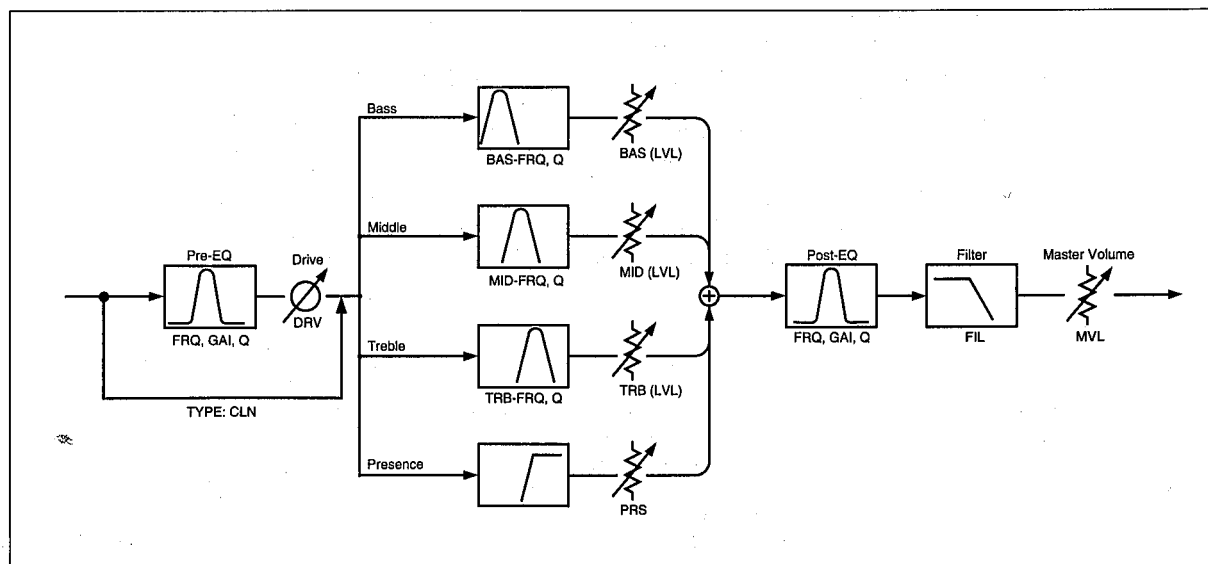
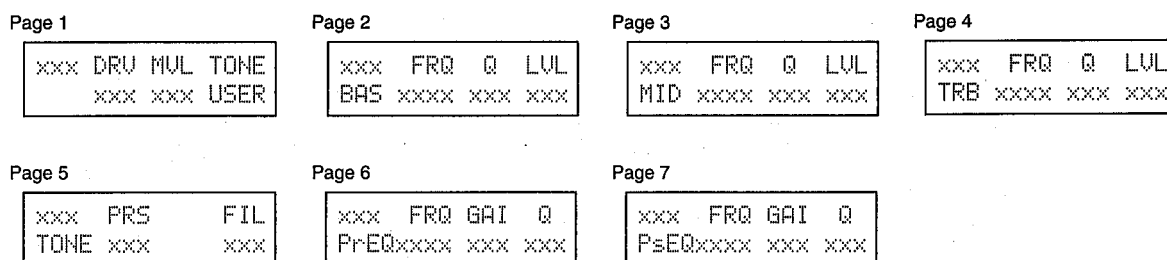
Type 7: CLN (Clean)

‡ Certains paramètres CLN ne sont pas affichés.

1) Commande de tonalité: Type1 et Type2



2) Commande de tonalité: Utilisateur



Section 7: Référence

Paramètre #	Nom	Fonction	Valeur/gamme
Paramètre 1	DRV	Commande de préampli	0 ~ 100
Paramètre 2	MVL	Volume global	0 ~ 100
Paramètre 3	TONE	Type de contrôle de tonalité	TYP1, TYP2, USER
• TONE=TYP1, TYP2			
Paramètre 4	BAS	Contrôle de tonalité des graves	0 ~ 100
Paramètre 5	MID	Contrôle de tonalité de médium	0 ~ 100
Paramètre 6	TRB	Contrôle de tonalité des aiguës	0 ~ 100
• TONE=USER			
Paramètre 4	BAS FRQ	Fréquence des graves	20 ~ 1,0 k [Hz]
Paramètre 5	BASS Q	Q des graves	10 ~ 10
Paramètre 6	BAS LVL	Niveau des graves	0 ~ 100
Paramètre 7	MID FRQ	Fréquence médium	200 ~ 3,2 k [Hz]
Paramètre 8	MID Q	Q du médium	10 ~ 10
Paramètre 9	MID LVL	Niveau de médium	0 ~ 100
Paramètre 10	TRB FRQ	Fréquence des aiguës	1,0 ~ 10 k [Hz]
Paramètre 11	TRB Q	Q des aiguës	10 ~ 10
Paramètre 12	TRB LVL	Niveau des aiguës	0 ~ 100
Paramètre 13	PRS	Présence	0 ~ 100
Paramètre 14	FIL	Filtre	-15 ~ +15
Paramètre 15	PrEQ FRQ	Fréquence pré-égaliseur	20 ~ 16 k [Hz]
Paramètre 16	PrEQ GAI	Gain pré-égaliseur	-15 ~ +15 [dB]
Paramètre 17	PrEQ Q	Q pré-égaliseur	10 ~ 10
Paramètre 18	PsEQ FRQ	Fréquence post-égaliseur	20 ~ 16 k [Hz]
Paramètre 19	PsEQ GAI	Gain post-égaliseur	-15 ~ +15 [db]
Paramètre 20	PsEQ Q	Q post-égaliseur	10 ~ 10

Remarques:

Amplification de préampli	Détermine la quantité de Gain/saturation/distorsion du préampli.
Volume global	Régle le volume global pour ce réglage de préampli.
Type de tonalité	Sélectionne entre TYP1 (Anglais) , TYP2 (Américain) , ou USER
• TYP1, TYP2	
Tonalité des graves	Contrôle le niveau des graves (comme un ampli).
Tonalité du médium	Contrôle le niveau du médium (comme un ampli).
Tonalité des aiguës	Contrôle le niveau des aiguës (comme un ampli).
• USER	
Fréquence des graves	Détermine l'emplacement (fréquence) de la commande de tonalité des graves USER
Q des graves	Régle la largeur de contrôle de tonalité des graves
Niveau des graves	Contrôle le niveau du contrôle de tonalité des graves
Fréquence de médium	Détermine l'emplacement (fréquence) de contrôle de tonalité USER
Q de médium	Régle la largeur de contrôle de tonalité du médium
Niveau de médium	Contrôle le niveau de contrôle de tonalité des aiguës
Fréquence des aiguës	Détermine l'emplacement (fréquence) de contrôle de tonalité des aiguës USER
Q des aiguës	Régle la largeur de contrôle de tonalité des aiguës
Niveau des aiguës	Contrôle le niveau de contrôle de tonalité des aiguës
Tonalité de Présence	Contrôle le niveau présence
Filtre	Une "Accentuation Top" ou Coupure moderne.
Fréquence Pré-EQ	Détermine la fréquence de EQ avant la commande de préampli.
Gain Pré-EQ	Régle le niveau de cette EQ
Q Pré-EQ	Contrôle la largeur de cette EQ.
Fréquence Post-EQ	Détermine la fréquence EQ après les contrôles de tonalité principale.
Gain Post-EQ	Régle le niveau de cette EQ
Q Post-EQ	Contrôle la largeur de cette EQ.

7.1.4 POINT D'INSERTION

Vous possédez un vieil effet ou un préampli que vous aimeriez utiliser avec votre nouveau? Nous y avons pensé, nous avons donc inclus une boucle d'effet externe appelée Insertion. Cette boucle programmable peut être placée à 4 endroits différents dans le parcours du signal. Chaque programme peut avoir une boucle d'insertion en entrée ou en sortie, et chaque programme peut avoir la boucle d'insertion à un endroit différent.

La commande de volume de retour de la boucle se situe sur le panneau arrière et son niveau n'est pas programmable. Prière de faire attention à régler ce niveau correctement afin de ne pas saturer le retour de boucle et les effets qui suivent.

Point d'insertion

Page 1

```
INSERT POINT
XXXXXXXXXXXXXXXXXX
```

Paramètre #	Nom	Fonction	Valeur/gamme
Paramètre 1	Point d'insertion	Emplacement de boucle	WAH→EXT→PREAMP (WAH→PREAMP→EXT) EXT→PREAMP→WAH (PREAMP→EXT→WAH)

Remarques:

Point d'insertion Détermine l'emplacement de la boucle externe dans le chemin du signal.

7.1.5 SIMULATEUR D'AMPLI

Le simulateur d'ampli est la cerise sur le gâteau! C'est là que vous pouvez ajouter la touche finale aux sons étonnants préamplifiés créés précédemment. Le simulateur d'ampli comprend 9 types différents d'émulation ampli/enceinte et un filtre spécial DI pour les applications "d'enregistrement direct" ou de "concert".

AMP SIM (Amp simulator)

Page 1

```
AMP-CHR DEP DI
XXXXXXXXXX XXX XXX
```

Paramètre #	Nom	Fonction	Valeur/gamme
Paramètre 1	AMP-CHR	Type d'ampli	STK-M1, STK-M2, THRASH, MIDBOOST, CMB-PG, CMB-VR, CMB-DX, CMBPTMN, MINIAMP
Paramètre 2	DEP	Profondeur	0 ~ 100 [%]
Paramètre 3	DI	Filtre DI	ON/OFF

Remarques:

Amp Character Sélectionne le type de simulateur d'ampli à utiliser.

STK-M1 Son typique d'ampli vintage.

STK-M2 Son d'ampli puissant trois étages.

THRASH Son trash utilisé par les groupes de trash métal.

MIDBOOST Accentuation des fréquences moyennes.

CMB-PG Simulation du Yamaha PG1, un ancien préampli réputé.

CMB-VR Simule le VR6000.

CMB-DX Ampli combo vintage avec l'arrière de la caisse ouvert et l'enceinte exposée. CMB-TWN Son typique d'ampli combo américain.

MINIAMP Son de mini ampli avec une sortie de 10 W ou moins.

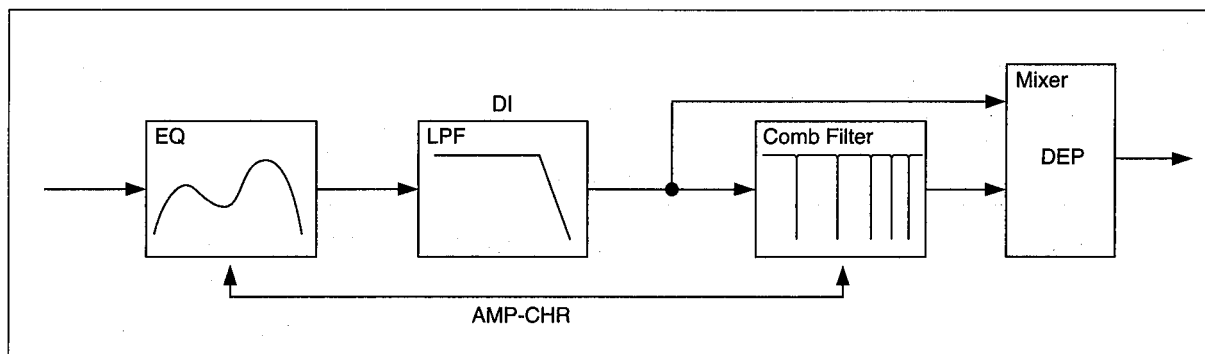
Profondeur Détermine combien l'ampli sélectionné sera mélangé au son.

Filtre DI Peut être activé ou désactivé, selon votre application. (voir les détails ci-dessous)

Remarque spéciale pour des applications DI

Le FX770 contient un filtre DI spécial qui émule la sortie naturelle des hautes fréquences qu'une enceinte de guitare produit. Lorsque le FX770 est utilisé en "direct" dans une console de mixage ou quand des moniteurs "gamme totale" (moniteurs de studio) sont utilisés, activer le filtre DI pour supprimer les extra hautes fréquences qui sont normalement filtrées par l'enceinte de la guitare.

Cette fonction spéciale profite à tout programme créé pour un amplificateur de guitare. Avec le filtre DI désactivé, le FX770 peut être utilisé en "live" avec un ampli de guitare ou un ampli de puissance et des "guitar cabs". En studio ou au foyer, le même programme peut être utilisé en "direct" en activant le filtre DI (le mettre sous tension) et le FX770 reproduit automatiquement le programme pour une écoute totale.



7.1.6 EFFETS PITCH

Le FX770 a deux types d'effet de Pitch: Changement de Pitch stéréo et Pitch Chorus. Le changement de Pitch stéréo est capable de produire un pitch gauche et droit séparé variant d'un octave en-dessous à un octave au-dessus de la note originale, et le réglage précis et le mixage sont inclus. Le Pitch Chorus est génial pour produire un effet Chorus désaccordé "double piste". L'utilisation de Pitch Chorus et ses paramètres de retard rapides va "grossir" tout programme créé (en particulier génial pour des sons Solo).

Type 1: SPI (Changement de pitch stéréo)

Page 1

```
SPI PCL PFL VoIL
  XXX XXX XXX
```

Page 2

```
SPI PCR PFR VoIR
  XXX XXX XXX
```

Page 3

```
SPI WID MIX LVL
  XX XXX XXX
```

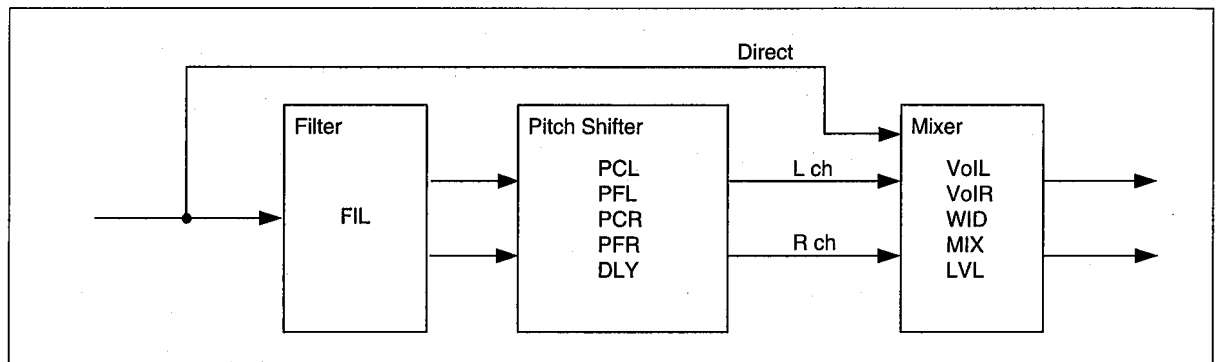
Page 4

```
SPI DLY FIL KEY
  XX.X XXX XXX
```

Paramètre #	Nom	Fonction	Valeur/gamme
Paramètre 1	PCL	Changement de pitch gauche	-12 ~ +12 [Semi tons]
Paramètre 2	PFL	Réglage précis gauche	-99 ~ +99 [cent s]
Paramètre 3	VoIL	Volume gauche	0 ~ 100
Paramètre 4	PCR	Changement de pitch droit-	12 ~ +12
Paramètre 5	PFR	Réglage précis droit	-99 ~ +99
Paramètre 6	VoIR	Volume droit	0 ~ 100
Paramètre 7	WID	Largeur d'image sonore	0 ~ 10
Paramètre 8	MIX	Equilibre mixte	0 ~ 100 [%]
Paramètre 9	LVL	Niveau de sortie	-∞, -30 ~ +8 [dB]
Paramètre 10	DLY	Temps de retard	0,1 ~ 50,0 [msec]
Paramètre 11	FIL	Filtre	-30 ~ +10
Paramètre 12	KEY	Touche de base MIDI	OFF, C 1 ~ C6

Remarques:

Changement de pitch gauche	Réglage grossier du pitch du canal gauche.
Réglage précis gauche	Régle avec précision le pitch du canal gauche.
Volume gauche	Contrôle le niveau du canal gauche.
Changement de pitch droit	Réglage grossier du pitch du canal droit.
Réglage précis droit	Régle avec précision le pitch du canal droit.
Volume droit	Contrôle le niveau du canal droit.
Largeur d'image sonore	Détermine l'image stéréo de la sortie.
Équilibre mixte	Mélange le son sec (pas de changement = 0) et l'effet pitch (100 %)
Niveau de sortie	Niveau global de ce bloc d'effets
Temps de retard	Régle le temps de retard du pitch gauche et droit.
Filtre	Un "contrôle de tonalité" pour les effets pitch.
Note de base MIDI	Message "Note-on" pour instrument MIDI, permettant de contrôler la valeur des paramètres PCL et PCR. La différence de pitch entre la note réglée à cet endroit et la note du message MIDI note-on" reçu est considérée comme la quantité de décalage de pitch. (identique pour les deux côtés gauche/droit (L&R)).



Type 2: PCH (Pitch Chorus)

Page 1

```
PCH DEP MIX LVL
xxx xxx xxx
```

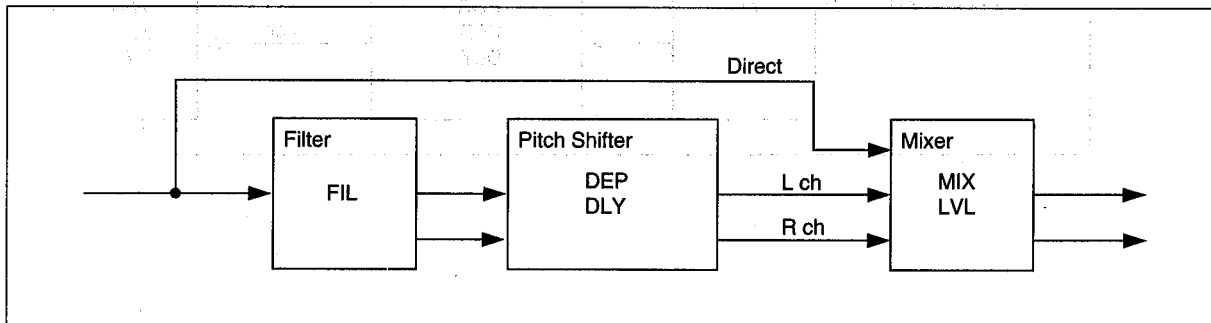
Page 2

```
PCH DLY FIL
xx.x xxx
```

Paramètre #	Nom	Fonction	Valeur/gamme
Paramètre 1	DEP	Profondeur d'effet	0 ~ 100 [%]
Paramètre 2	MIX	Equilibre mixte	0 ~ 100 [%]
Paramètre 3	LVL	Niveau de sortie	-∞, -30 ~ +6 [dB]
Paramètre 4	DLY	Temps de retard	0.1 ~ 50.0 [msec]
Paramètre 5	FIL	Filtre	-10 ~ +10

Remarques:

- Profondeur d'effet** Détermine le désaccord pour le Pitch Chorus.
- Equilibre mixte** Mélange le son sec et l'effet Chorus (Lorsque le réglage est à 100 %, seul l'effet Chorus est produit).
- Niveau de sortie** Niveau global de ce bloc d'effets.
- Temps de retard** Régle le temps de retard de Pitch Chorus.
- Filtre** Une "commande de tonalité" pour les effets de pitch.



7.1.7 EFFETS DE MODULATION (MOD)

Le FX770 a sept types différents d'effets de modulation: Stéréo chœur, Stéréo flanger, Symphonique, Rotary Speaker, Auto Pan, Tremolo, et Resonator. Chacun de ces effets est capable de créer ou d'ajouter des textures dramatiques au son.

Chorus

Adopté aussi bien par les guitaristes modernes que vintage, le chorus est peut-être l'effet de modulation le plus largement utilisé aujourd'hui. Vous trouverez ici un Chorus souple avec un tas de commandes, ainsi vous pouvez choisir quel type de Chorus peut vous rendre heureux.

Type 1: CHO (Chorus stéréo)

Page 1

```
CHO SPD PMD AMD
  XX.X XXX XXX
```

Page 2

```
CHO WID MIX LVL
  XX XXX XXX
```

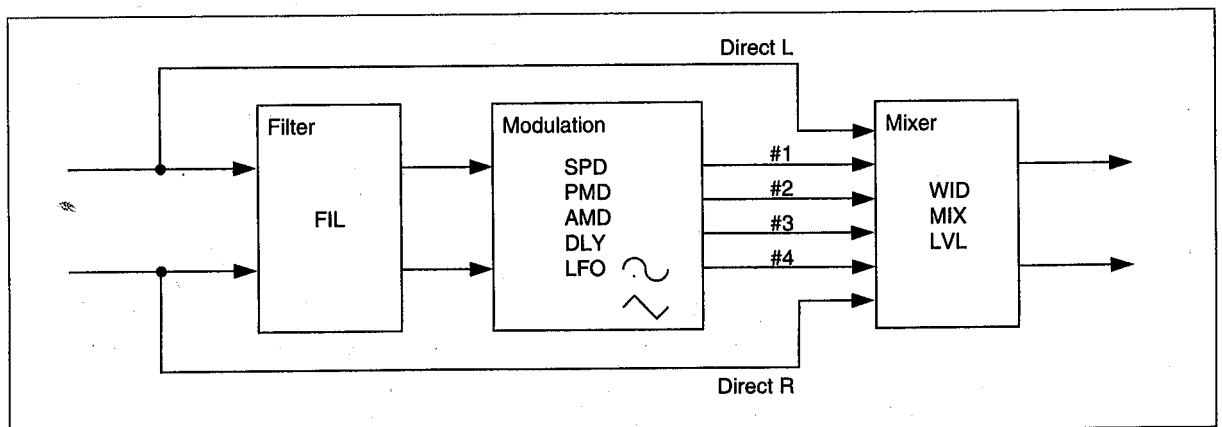
Page 3

```
CHO DLY LFO FIL
  XXX.X XXX XXX
```

Paramètre #	Nom	Fonction	Valeur/gamme
Paramètre 1	SPD	Vitesse de modulation	0.1 ~ 20.0 [Hz]
Paramètre 2	PMD	Profondeur de modulation de pitch	0 ~ 100 [%]
Paramètre 3	AMD	Profondeur de modulation d'ampli	0 ~ 100 [%]
Paramètre 4	WID	Largeur d'image sonore	0 ~ 10
Paramètre 5	MIX	Equilibre mixte	0 ~ 100 [%]
Paramètre 6	LVL	Niveau de sortie	-∞, -30 ~ +6 [dB]
Paramètre 7	DLY	Temps de retard	0.1 ~ 100.0 [msec]
Paramètre 8	LFO	Forme d'onde LFO	TRI, SIN
Paramètre 9	FIL	Filtre	-10 ~ +10

Remarques:

- Vitesse de modulation** Régle la vitesse de LFO pour produire l'onde de modulation, modifiant ainsi la vitesse de modulation de l'effet Chorus.
- Modulation de pitch** Contrôle la profondeur de modulation de Pitch.
- Modulation d'ampli** Contrôle la profondeur de modulation d'amplitude.
- Largeur d'image sonore** Détermine l'image stéréo de la sortie.
- Equilibre mixte** Mélange le son sec et l'effet Chorus (Lorsque cette fonction est réglée à 100 %, seul l'effet Chorus est créé.)
- Niveau de sortie** Niveau global de ce bloc d'effets.
- Temps de retard** Régle le temps de retard de la modulation.
- Forme d'onde LFO** Détermine le type de forme d'onde LFO: triangulaire (TRI) ou sinusoïdale (SIN).
- Filtre** Une "commande de tonalité" pour le Chorus.



Flanger stéréo

Que ce soit un son subtil ou un "jet fly-by" exagéré, le Flanger a une voix unique dans le monde de la modulation. Créé par accident dans les années 60, et reproduit fidèlement dans les années 90, le Flanger stéréo du FX770 est un merveilleux effet!

Type 2: FLG (Flanger stéréo)

Page 1

```

FLG   SPD DEP
      xx.x xxx
    
```

Page 2

```

FLG DLY FB WID
    xxx.x xxx xx
    
```

Page 3

```

FLG   MIX LVL
      xxx xxx
    
```

Page 4

```

FLG   LFO FIL
      xxx xxx
    
```

Paramètre #	Nom	Fonction	Valeur/gamme
Paramètre 1	SPD	Vitesse de modulation	0.1 ~ 20.0 [Hz]
Paramètre 2	DEP	Profondeur de modulation	0 ~ 100 [%]
Paramètre 3	DLY	Temps de retard	0.1 ~ 100.0 [msec]
Paramètre 4	FB	Niveau Feedback	0 ~ 100 [%]
Paramètre 5	WID	Largeur d'image sonore	0 ~ 10
Paramètre 6	MIX	Equilibre mixte	0 ~ 100 [%]
Paramètre 7	LVL	Niveau de sortie	-∞, -30 ~ +6 [dB]
Paramètre 8	LFO	Forme d'onde LFO	TRI, SIN
Paramètre 9	FIL	Filtre	-10 ~ +10

Remarques:

Vitesse de modulation Régle la vitesse de la LFO pour produire l'onde de modulation, modifiant ainsi la vitesse de modulation de l'effet Flanger.

Profondeur de modulation Contrôle la profondeur de la modulation.

Temps de retard Régle le temps de retard de la modulation. Contrôle la plage de balayage du flanger.

Niveau Feedback Détermine le niveau du feedback. Contrôle le niveau de volume de balayage du flanger.

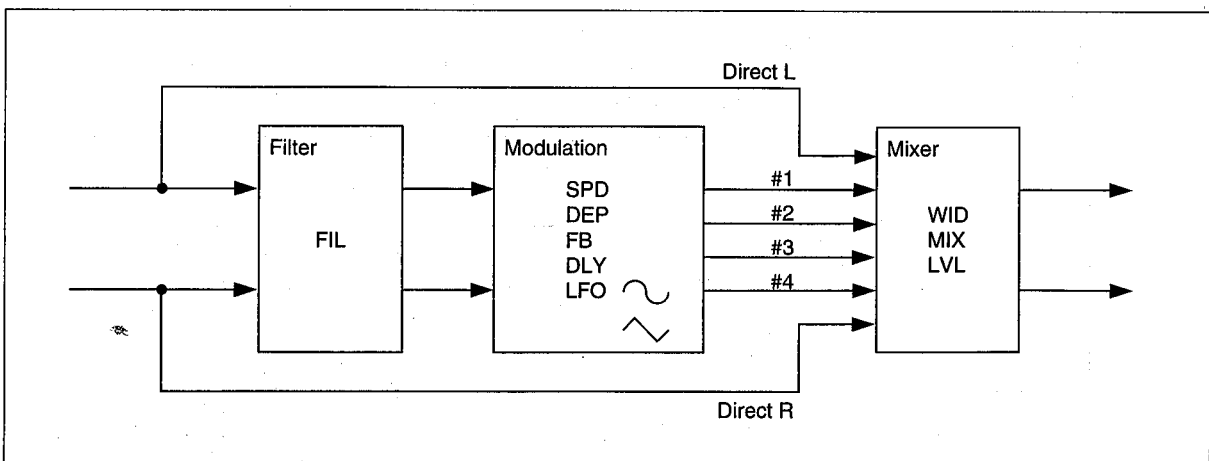
Largeur d'image sonore Détermine l'image stéréo de la sortie.

Equilibre mixte Mélange le son sec avec l'effet Flanger (Lorsque cette fonction est réglée sur 100 %, seul l'effet Chorus est créé.)

Niveau de sortie Niveau global de ce bloc d'effets.

Forme d'onde LFO Détermine le type de forme d'onde LFO: triangulaire (TRI) ou sinusoïdale (SIN).

Filtre Une "commande de tonalité" pour le flanger.



Symphonique

Né avec la génération "SPX", l'effet symphonique donne un reflet chaud à votre son. C'est grâce à la modulation!

Type 3: SYM (Symphonic)

Page 1

```
SYM      SPD DEP
      XX.X XXX
```

Page 2

```
SYM WID MIX LVL
      XX XXX XXX
```

Page 3

```
SYM      DLY FIL
      XXX.X XXX
```

Paramètre #	Name	Function	Value/Range
Paramètre 1	SPD	Vitesse de modulation	0.1 ~ 20.0 [Hz]
Paramètre 2	DEP	Profondeur de modulation	0 ~ 100 [%]
Paramètre 3	WID	Largeur d'image sonore	0 ~ 10
Paramètre 4	MIX	Equilibre mixte	0 ~ 100 [%]
Paramètre 5	LVL	Niveau de sortie	-∞, -30 ~ +6 [dB]
Paramètre 6	DLY	Temps de retard	0.1 ~ 100.0 [msec]
Paramètre 7	FIL	Filtre	-10 ~ +10

Remarques:

Vitesse de modulation Régle la vitesse de la LFO pour produire l'onde de modulation, modifiant ainsi la vitesse de modulation de l'effet de flanger.

Profondeur de modulation Contrôle la profondeur de la modulation.

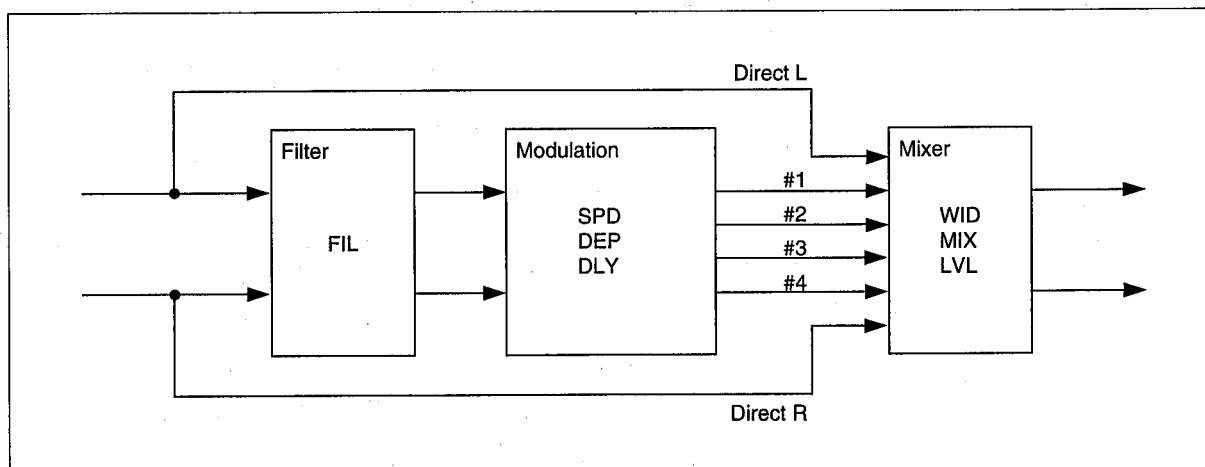
Largeur d'image sonore Détermine l'image stéréo de la sortie.

Equilibre mixte Mélange le son sec avec l'effet Symphonic (Lorsque cette fonction est réglée sur 100 %, seul l'effet Chorus est créé.)

Niveau de sortie Niveau global de ce bloc d'effets.

Temps de retard Régle le temps de retard de la modulation.

Filtre Une "commande de tonalité" pour l'effet symphonique.



Enceinte rotative

Quelqu'un, quelque part s'est posé la question: Si je jouais ma guitare dans une enceinte rotative qui appartient à un organiste. Bien, à cette question une nouvelle découverte est arrivée pour les guitaristes, le son riche appelé Rotary. Le FX770 connaît très bien ce son et le reproduit sur votre commande. Profitez-en!

Type 4: ROT (Enceinte rotative)

Page 1

```

ROT MODE MIX LVL
  XXXX XXX XXX
    
```

Page 2

```

ROT   SLOW FAST
      X.X  X.X
    
```

Page 3

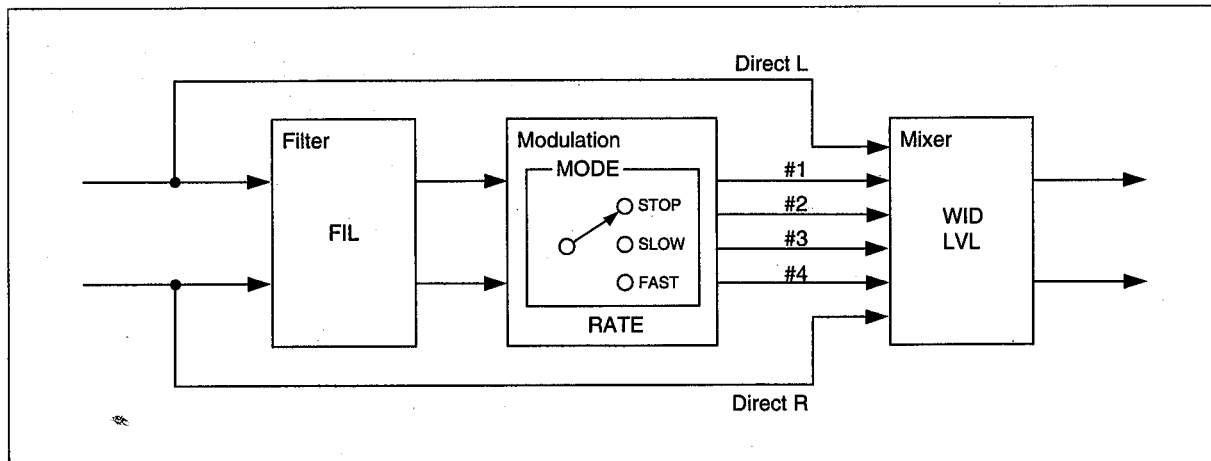
```

ROT   RATE FIL
      XX  XXX
    
```

Paramètre #	Name	Function	Value/Range
Paramètre 1	MODE	Sélection de mode de vitesse	STOP, SLOW, FAST
Paramètre 2	MIX	Equilibre mixte	0 ~ 100 [%]
Paramètre 3	LVL	Niveau de sortie	-∞, -30 ~ +6 [dB]
Paramètre 4	SLOW	Vitesse mode lent	0.1 ~ 5.3 [Hz]
Paramètre 5	FAST	Vitesse mode rapide	0.1 ~ 5.3 [Hz]
Paramètre 6	RATE	Taux de changement de vitesse	0 ~ 10
Paramètre 7	FIL	Filtre	-10 ~ +10

Remarques:

- Sélection de mode de vitesse** Sélectionne le mode de vitesse: Peut démarrer sur Off, Lent ou Rapide le mode peut être changé en utilisant un commutateur au pied pendant la performance.
- Equilibre mixte** Mélange le son sec avec le signal d'effet (Lorsque cette fonction est réglée sur 100 %, seul l'effet Chorus est créé.)
- Niveau de sortie** Niveau global de ce bloc d'effets
- Vitesse mode lent** Régle la vitesse pour le mode lent
- Vitesse mode rapide** Régle la vitesse pour le mode rapide
- Vitesse** Régle la vitesse (temps) nécessaire pour le changement de vitesse pour terminer dès que le mode est commuté.
- Filtre** Une "commande de tonalité" pour l'effet de haut-parleur rotatif.
Le paramètre de mode peut également être contrôlé à l'aide d'un commutateur à pied FS2. Une pression répétée fait défiler à travers les réglages de mode disponibles: Stop → Slow → Fast → Stop, etc.



Effets pan

P - A - N - N - I - N - G ! Quel moyen merveilleux pour étaler le son. Qu'il soit utilisé pour donner une largeur à une ballade ou pour créer des effets stéréo, la fonction Auto Pan du FX770 est le ticket du guitariste pour la quatrième dimension!

Type 5: PAN (AUTO PAN)

Page 1

PAN	TEMPO	NOTE
	J=xxx	(xx)

Page 2

PAN	DEP	MIX	LVL
	xxx	xxx	xxx

Page 3

PAN	TRG	DIR	LFO
	xxxx	xxx	xxx

Page 4

PAN	FIL
	xxx

Paramètre#	Nom	Fonction	Valeur/gamme
Paramètre 1	TEMPO	Tempo	♩=50 ~ 250
Paramètre 2	NOTE	Longueur de note	♩, ♪, ♫, ♬, ♮, ♯, ♭, ♮, ♯, ♭, ♮, ♯, ♭
Paramètre 3	DEP	Profondeur de modulation	0 ~ 100 [%]
Paramètre 4	MIX	Equilibre mixte	0 ~ 100 [%]
Paramètre 5	LVL	Niveau de sortie	-∞, -30 ~ +6 [dB]
Paramètre 6	TRG	Commutateur	OFF, FS2, MIDI
Paramètre 7	DIR	Direction	L→R, L←R, L↔R
Paramètre 8	LFO	Forme d'onde LFO	TRI, SIN, SQR
Paramètre 9	FIL	Filtre	-10 ~ +10

Remarques:

Tempo
longueur de note

Sélectionne le Tempo pour Auto Panning.
Détermine la valeur de la note pour la synchronisation du tempo.

Profondeur de modulation
Equilibre mixte

Contrôle la profondeur de modulation avec effet pan.
Mélange le son sec avec l'effet pan (Lorsque cette fonction est réglée sur 100 %, seul l'effet Chorus est créé.)

Niveau de sortie

Niveau global de ce bloc d'effets

Commutateur

Sélectionne la source de contrôle externe du paramètre TEMPO. La valeur du paramètre TEMPO peut être ajustée en utilisant le commutateur au pied (en sélectionnant FS2) ou en utilisant l'horloge MIDI (en sélectionnant MIDI).

Direction

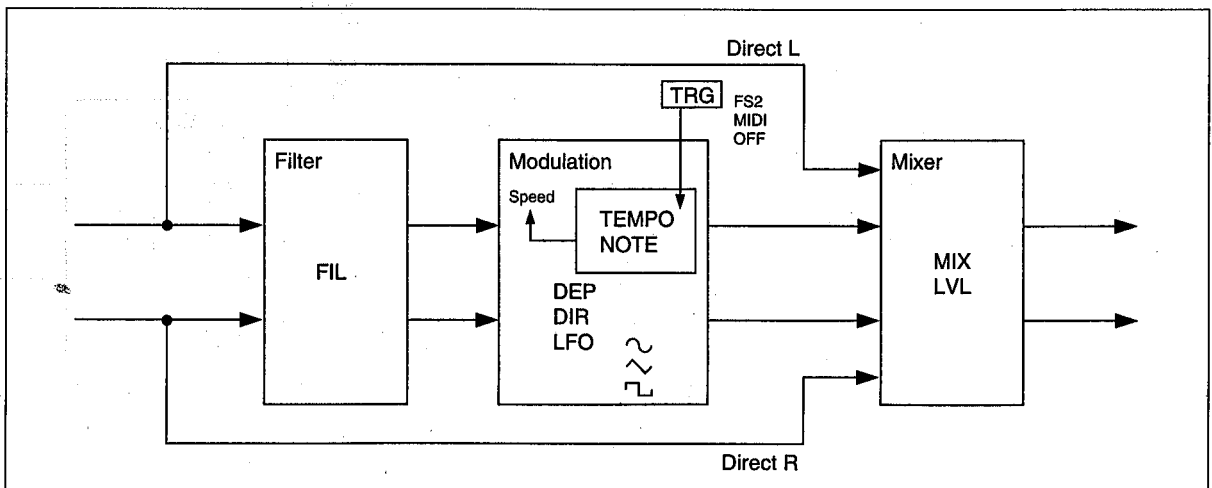
Détermine la direction de l'effet pan.

Forme d'onde LFO

Détermine le type de LFO pour produire une forme d'onde à effet pan: triangulaire (TRI), sinusoïdale (SIN) ou carrée (SQR).

Filtre

Une "commande de tonalité" pour l'effet pan.



Trémolo

Il était une fois lorsque chaque ampli et chaque constructeur avait à inclure le trémolo sur leur liste de caractéristiques. Et après plusieurs années, et de nombreux styles de musique, le FX770 n'a pas oublié cet effet classique. Mise à jour pour les années 90, le Trémolo est maintenant caractérisé par le Tempo et la télécommande, pour creuser le son!

Type 6: TRM (Trémolo)

Page 1

Page 2

Page 3

```
TRM  TEMPO NOTE
      ↓=xxx (xx)
```

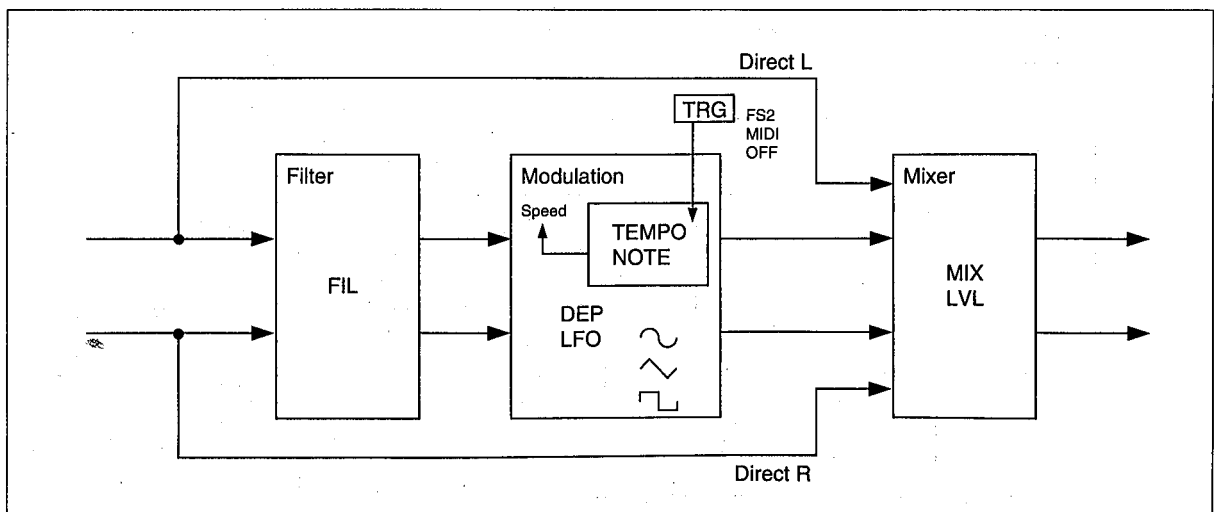
```
TRM  DEP MIX LVL
      xxx xxx xxx
```

```
TRM  TRG LFO FIL
      xxxxx xxx xxx
```

Paramètre #	Nom	Fonction	Valeur/gamme
Paramètre 1	TEMPO	Tempo	♩=50 ~ 250
Paramètre 2	NOTE	Longueur de note	♪, ♪, ♫, ♩, ♪, ♫, ♩, ♪, ♫, ♩
Paramètre 3	DEP	Profondeur de modulation	0 ~ 100 [%]
Paramètre 4	MIX	Equilibre mixte	0 ~ 100 [%]
Paramètre 5	LVL	Niveau de sortie	-∞, -30 ~ +6 [dB]
Paramètre 6	TRG	Commutateur	OFF, FS2, MIDI
Paramètre 7	LFO	Forme d'onde LFO	TRI, SIN, SQR
Paramètre 8	FIL	Filtre	-10 ~ +10

Remarques:

- Tempo** Sélectionne le Tempo pour le Trémolo.
- Longueur de note** Détermine la valeur de la note pour la synchronisation du Tempo.
- Profondeur de modulation** Contrôle la profondeur de modulation de Trémolo.
- Equilibre mixte** Mélange le son sec avec l'effet Trémolo (Lorsque cette fonction est réglée sur 100 %, seul l'effet Chorus est créé.)
- Niveau de sortie** Niveau global de ce bloc d'effets
- Commutateur** Sélectionne la source de contrôle externe pour le paramètre Tempo. la valeur du paramètre TEMPO peut être ajustée en utilisant le commutateur au pied (en sélectionnant FS2) ou en utilisant l'horloge MIDI (en sélectionnant MIDI).
- Forme d'onde LFO** Détermine le type de LFO pour créer une forme d'onde à effet Pan: triangulaire (TRI), sinusoïdale (SIN) ou carrée (SQUARE)
- Filtre** Une "commande de tonalité" pour l'effet Trémolo.



Résonateur

Pas content de vivre dans le passé, le FX770 a un effet de modulation tout nouveau à introduire dans le monde: le Resonator. Cet effet a un caractère dans son balayage comme un flanger. La tonalité du balayage peut être contrôlée par l'intensité du microphone. C'est votre technique qui va créer cet effet.

Type 7: RES (Résonateur)

Page 1

```
RES SEN RES MODE
  XX  XXX XXXX
```

Page 2

```
RES      MIX LVL
  XXXX  XXXX
```

Page 3

```
RES      FIL
  XXXX
```

Paramètre #	Nom	Fonction	Valeur/gamme
Paramètre 1	SEN	Sensibilité	0 ~ 8
Paramètre 2	RES	Résonance	0 ~ 100
Paramètre 3	MODE	Mode d'effet	DOWN, UP
Paramètre 4	MIX	Equilibre mixte	0 ~ 100 [%]
Paramètre 5	LVL	Niveau de sortie	-∞, -30 ~ +6 [dB]
Paramètre 6	FIL	Filtre	-10 ~ +10

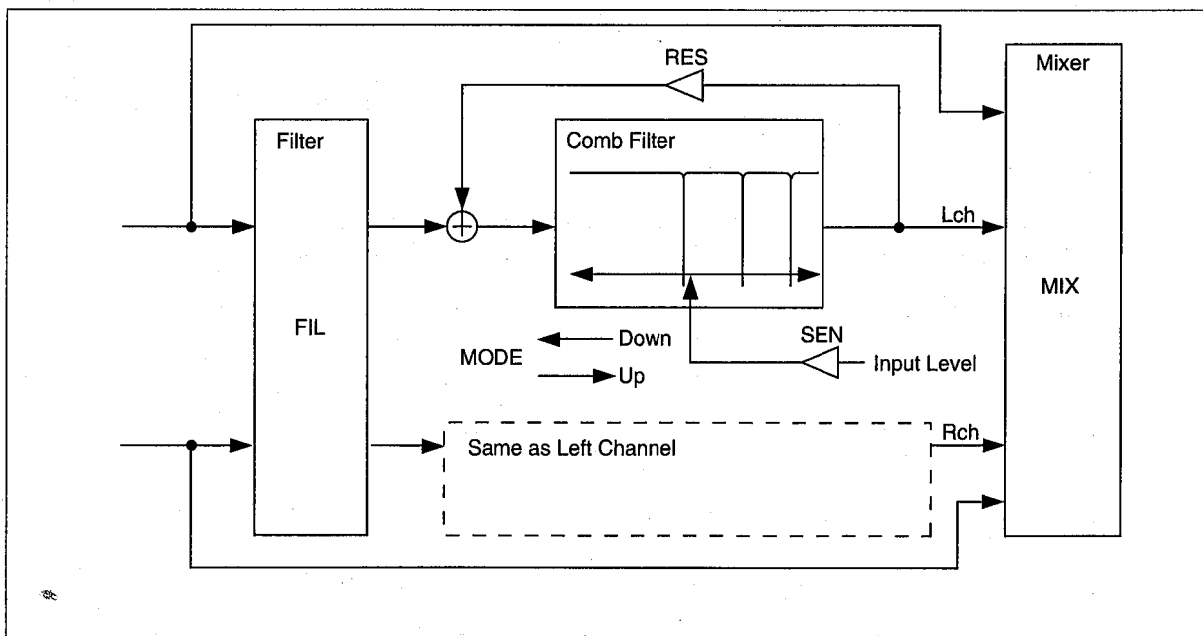
Remarques:

- Sensibilité** Régle la sensibilité du commutateur d'entrée pour cet effet.
Résonance Détermine la profondeur de résonance
Mode d'effet Sélectionne si le pitch du balayage diminue ou augmente lorsque le niveau de volume de la guitare s'atténue.

Equilibre mixte Mélange le son sec avec le signal d'effet (Lorsque cette fonction est réglée sur 100 %, seul l'effet Chorus est créé.)

Niveau de sortie Niveau global de ce bloc d'effets

Filtre Une "commande de tonalité" pour le résonateur.



7.1.8 RETARD

Le FX770 contient huit types d'effets de retard différents: Delay 1, Delay 2, Modulation Delay, Tempo delay 1, Tempo Delay 2, Tempo Modulation Delay, Multi-Tap Delay, et Ducking Delay. Une sélection complète de retards mono, stéréo, de modulation et de tempo sont disponibles, chacun étant capable de créer des effets subtils ou dramatiques.

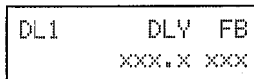
Lorsqu'on rappelle un programme qui utilise le même motif, le Feedback du retard du programme précédent reste effectif.

Retard 1

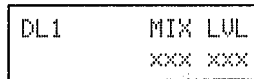
Tout droit, sans retard. Dans la plupart des cas, c'est l'outil approprié pour le travail, et avec un temps de retard et un feedback, le FX770 arrive juste à temps!

Type 1: DL1 (Retard 1)

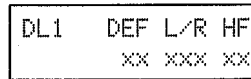
Page 1



Page 2



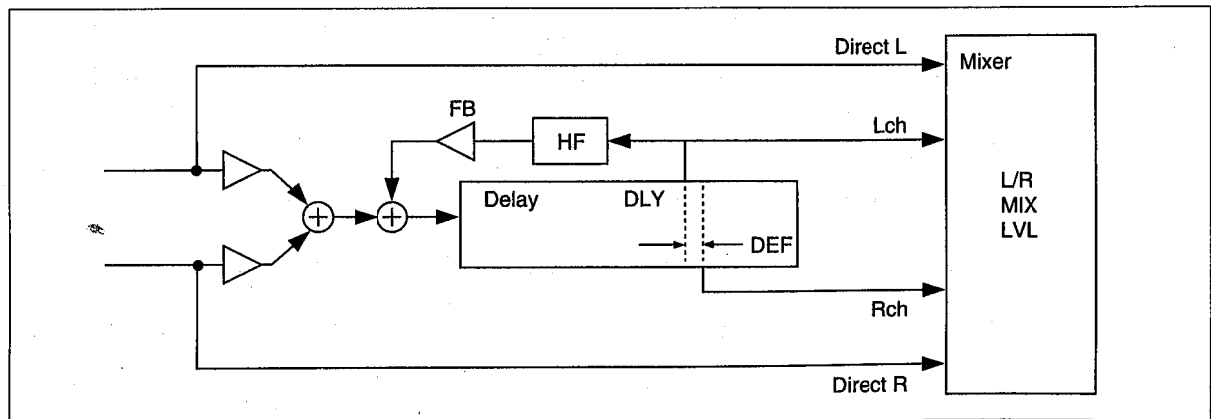
Page 3



Paramètre #	Nom	Fonction	Valeur/plage
Paramètre 1	DLY	Temps de retard	0.1 ~ 670.0 [msec]
Paramètre 2	FB	Feedback	0 ~ 100 [%]
Paramètre 3	MIX	Equilibre mixte	0 ~ 100 [%]
Paramètre 4	LVL	Niveau de sortie	-∞, -30 ~ +6 [dB]
Paramètre 5	DEF	Diffusion	0 ~ 10
Paramètre 6	L/R	Equilibre gauche/droit	L50 ~ L=R ~ R50
Paramètre 7	HF	Taux de haute fréquence	1 ~ 10

Remarques:

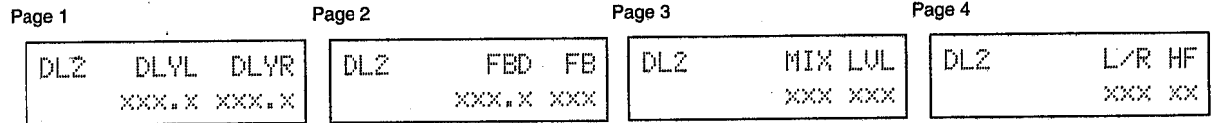
- Temps de retard** Régle le temps du retard.
- Feedback** Contrôle le nombre de répétitions.
- Equilibre mixte** Mélange le son sec avec l'effet de retard (Lorsque cette fonction est réglée sur 100 %, seul l'effet Chorus est créé.)
- Niveau de sortie** Niveau global de ce bloc d'effets
- Diffusion** Sélectionne des retards serrés à légèrement modifiés.
- Equilibre gauche/droit** Ajuste la position Pan de l'effet de retard s'il n'est pas équilibré à cause d'une valeur de paramètre DEF élevée.
- Taux haute fréquence** Un égaliseur "tape-echo" pour les retards. Lorsque la valeur augmente, la gamme haute du son répété, s'atténue progressivement, créant un echo très naturel.



Retard 2

Ce retard vous permet de régler indépendamment le temps de retard gauche/droit et de boucle de Feedback. La maîtrise de ce retard crée un retard stéréo avec effet pan entre retard gauche et droit ainsi qu'un retard ping-pong.

Type 2: DL2 (Delay 2)



Paramètre #	Name	Function	Value/Range
Paramètre 1	DLYL	Temps de retard canal gauche	0.1 ~ 670.0 [msec]
Paramètre 2	DLYR	Temps de retard canal droit	0.1 ~ 670.0 [msec]
Paramètre 3	FBD	Temps de retard de Feedback	0.1 ~ 670.0 [msec]
Paramètre 4	FB	Feedback	0 ~ 100 [%]
Paramètre 5	MIX	Equilibre mixte	0 ~ 100 [%]
Paramètre 6	LVL	Niveau de sortie	-∞, -30 ~ +6 [dB]
Paramètre 7	L/R	Equilibre gauche/droit	L50 ~ L=R ~ R50
Paramètre 8	HF	Taux haute fréquence	1 ~ 10

Remarques:

Temps de retard de canal gauche Régle le temps de retard du canal gauche.

Temps de retard de canal droit Régle le temps de retard du canal droit.

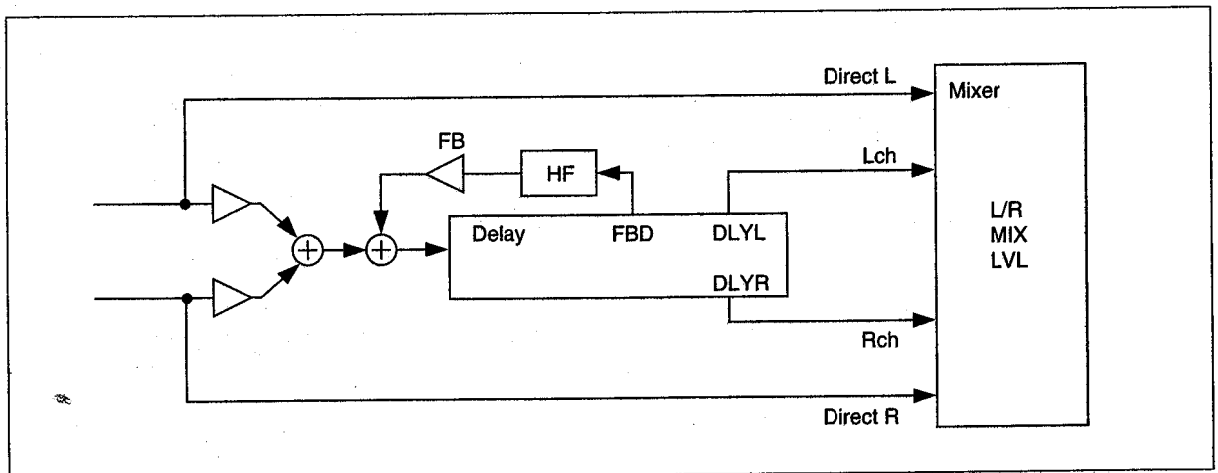
Temps de retard FB Régle le temps de retard de Feedback
Niveau de Feedback Détermine le nombre de répétitions de Feedback.

Equilibre mixte Mélange le son sec avec l'effet de retard (Lorsque cette fonction est réglée sur 100 %, seul l'effet Chorus est créé.)

Niveau de sortie Niveau global de ce bloc d'effets

Equilibre gauche/droit Ajuste la position pan de l'effet de retard s'il est déséquilibré à cause d'une différence de temps de retard entre le canal gauche et le canal droit.

Taux haute fréquence Un égaliseur "tape-echo" pour les retards. Lorsque la valeur augmente, la gamme haute du son répété s'atténue progressivement, créant un echo très naturel.



Retard de modulation

Des retards qui semblent se déplacer ou être modulés lorsqu'ils sont entendus ! C'est la beauté du retard de modulation et c'est pourquoi cette caractéristique du FX770 sera appréciée.

Type 3: MDL (Retard de modulation)

Page 1

MDL	DLY	FB
xxx.x	x	xxx

Page 2

MDL	SPD	DEP
xx.x	x	xxx

Page 3

MDL	MIX	LVL
xxx	xxx	xxx

Page 4

MDL	HF
	xx

Paramètre #	Nom	Fonction	Valeur/gamme
Paramètre 1	DLY	Temps de retard	0.1 ~ 670.0 [msec]
Paramètre 2	FB	Feedback	0 ~ 100 [%]
Paramètre 3	SPD	Vitesse de modulation	0.1 ~ 20.0 [Hz]
Paramètre 4	DEP	Profondeur de modulation	0 ~ 100 [%]
Paramètre 5	MIX	Equilibre mixte	0 ~ 100 [%]
Paramètre 6	LVL	Niveau de sortie	-∞, -30 ~ +6 [dB]
Paramètre 7	HF	Taux haute fréquence	1 ~ 10

Remarques:

Temps de retard
Feedback

Règle le temps de retard.
Contrôle le nombre des répétitions.

Vitesse de modulation
Profondeur de modulation

Contrôle le taux (vitesse) de l'effet de modulation.
Contrôle la profondeur de l'effet de modulation sur les retards.

Equilibre mixte

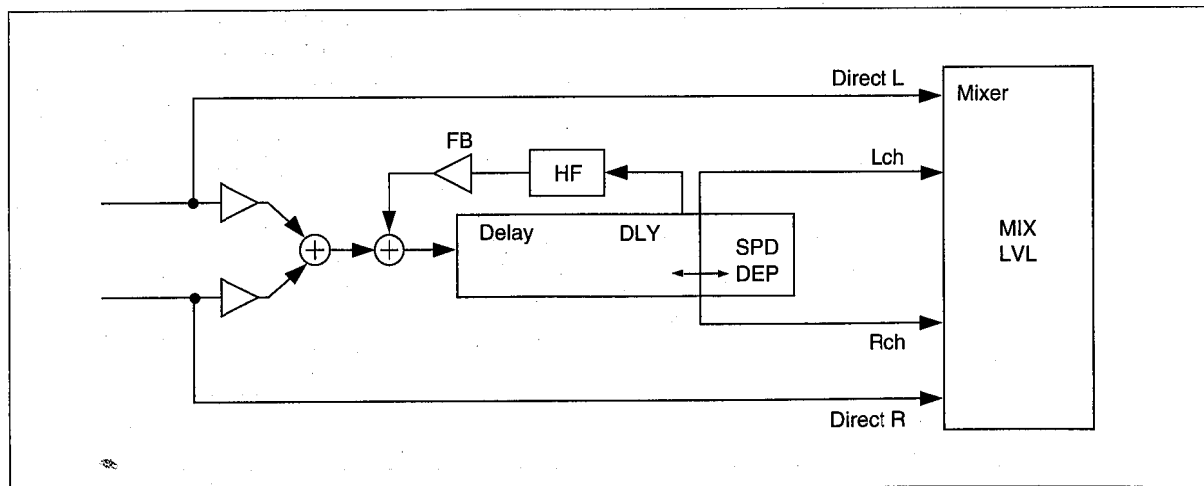
Mélange le son sec avec l'effet de retard (Lorsque cette fonction est réglée sur 100 %, seul l'effet Chorus est créé.)

Niveau de sortie

Niveau global de ce bloc d'effets

Taux haute fréquence

Un égaliseur "tape-echo" pour les retards. Lorsque la valeur augmente, la gamme haute du son répété s'atténue progressivement, créant un echo très naturel.



Retard 1 Tempo

Avez-vous déjà travaillé avec un tableau de temps de retard? Ou avez-vous déjà joué avec un drummer dont le tempo change chaque nuit? Nous l'avons fait et nous le ferons, c'est pourquoi le Retard Tempo a été créé. En studio, les retards peuvent être synchronisés avec les sillons de la chanson; et en direct, le commutateur au pied externe optionnel peut être utilisé pour taper le tempo de la chanson avec le retard du FX770. C'est très Cool cool cool...

Type 4: TD1 (Retard 1 Tempo)

Page 1

```
TD1  TEMPO NOTE
      ]=xxx (xx)
```

Page 2

```
TD1  FB MIX LVL
      xxx xxx xxx
```

Page 3

```
TD1  TRG DEF L/R
      xxxx xx xxx
```

Page 4

```
TD1                                     HF
                                           xx
```

Paramètre #	Name	Function	Value/Range
Paramètre 1	TEMPO	Sélection de Tempo	♩=50 ~ 250
Paramètre 2	NOTE	Valeur de la note	♩, ♪, ♫, ♮, ♯, ♭, ♮, ♯, ♭, ♮
Paramètre 3	FB	Feedback	0 ~ 100 [%]
Paramètre 4	MIX	Equilibre mixte	0 ~ 100 [%]
Paramètre 5	LVL	Niveau de sortie	-∞, -30 ~ +6 [dB]
Paramètre 6	TRG	Trigger	OFF, FS2, MIDI
Paramètre 7	DEF	Diffusion	0 ~ 10
Paramètre 8	L/R	Equilibre gauche/droite	L50 ~ L=R ~ R50
Paramètre 9	HF	Taux haute fréquence	1 ~ 10

Remarques:

Tempo

Régle le Tempo pour le retard. Le temps de retard ne peut pas être réglé à 670 ms ou plus. Si le TEMPO est réglé à moins de 90 avec la note réglée à un quart de note, le temps de retard devient 670 ms, et la valeur du TEMPO clignote.

Valeur de la note

Sélectionne la longueur de la note.

Feedback

Contrôle le nombre des répétitions.

Equilibre mixte

Mélange le son sec avec l'effet de retard (Lorsque cette fonction est réglée sur 100 %, seul l'effet Chorus est créé.)

Niveau de sortie

Niveau global de ce bloc d'effets

Trigger

Sélectionne la source de contrôle externe pour le paramètre Tempo. La valeur du paramètre TEMPO peut être ajustée en utilisant le commutateur au pied (en sélectionnant FS2) ou en utilisant l'horloge MIDI (en sélectionnant MIDI).

Diffusion

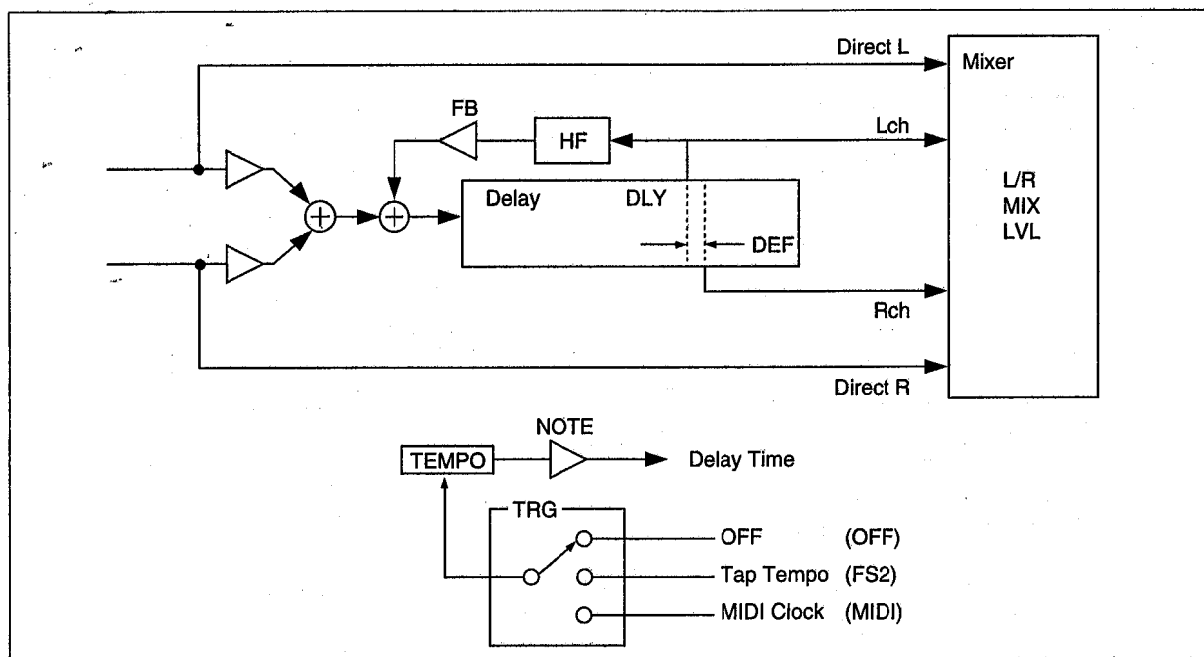
Sélectionne des retards serrés à légèrement modifiés.

Equilibre gauche/droite

Ajuste la position pan de l'effet de retard s'il est déséquilibré à cause d'une valeur de paramètre DEF élevée.

Taux haute fréquence

Un égaliseur "tape-echo" pour les retards. Lorsque la valeur augmente, la gamme haute du son répété s'atténue progressivement, créant un echo très naturel.



Retard 2 Tempo

Une version stéréo du Retard 1 Tempo, ce type d'effet permet deux valeurs de note de retard séparées.

Type 5: TD2 (Retard 2 de Tempo)

Page 1

```
TD2  TEMPO  NOTEF
     |=====|
     |J=xxx  (xx)|
```

Page 2

```
TD2  NOTEF  NOTEF
     |=====|
     |(xx)  (xx)|
```

Page 3

```
TD2  FB  MIX  LVL
     |=====|
     |xxx  xxx  xxx|
```

Page 4

```
TD2  TRG  L/R  HF
     |=====|
     |xxxx  xxx  xx|
```

Paramètre #	Nom	Fonction	Valeur/gamme
Paramètre 1	TEMPO	Tempo	♩=50 ~ 250
Paramètre 2	NOTEF	Valeur de la note gauche	♩, ♪, ♫, ♬, ♭, ♮, ♯, ♯, ♯
Paramètre 3	NOTER	Valeur de la note droit	
Paramètre 4	NOTEF	Valeur de la note de Feedback	
Paramètre 5	FB	Feedback	0 ~ 100 [%]
Paramètre 6	MIX	Equilibre mixte	0 ~ 100 [%]
Paramètre 7	LVL	Niveau de sortie	-∞, -30 ~ +6 [dB]
Paramètre 8	TRG	Trigger	OFF, FS2, MIDI
Paramètre 9	L/R	Equilibre gauche/droit	L50 ~ L=R ~ R50
Paramètre 10	HF	Taux haute fréquence	1 ~ 10

Remarques:

Tempo

Sélectionne le Tempo pour le l'effet de retard. Le temps de retard ne peut pas être réglé sur 670 ms ou plus. Si le TEMPO est réglé à moins de 90 avec la note réglée à un quart de note, le temps de retard devient 670 ms, et la valeur du TEMPO clignote.

Valeur de la note gauche

Détermine la valeur de la note pour la synchronisation de Tempo du canal gauche.

Valeur de la note droit

Détermine la valeur de la note pour la synchronisation du tempo du canal droit.

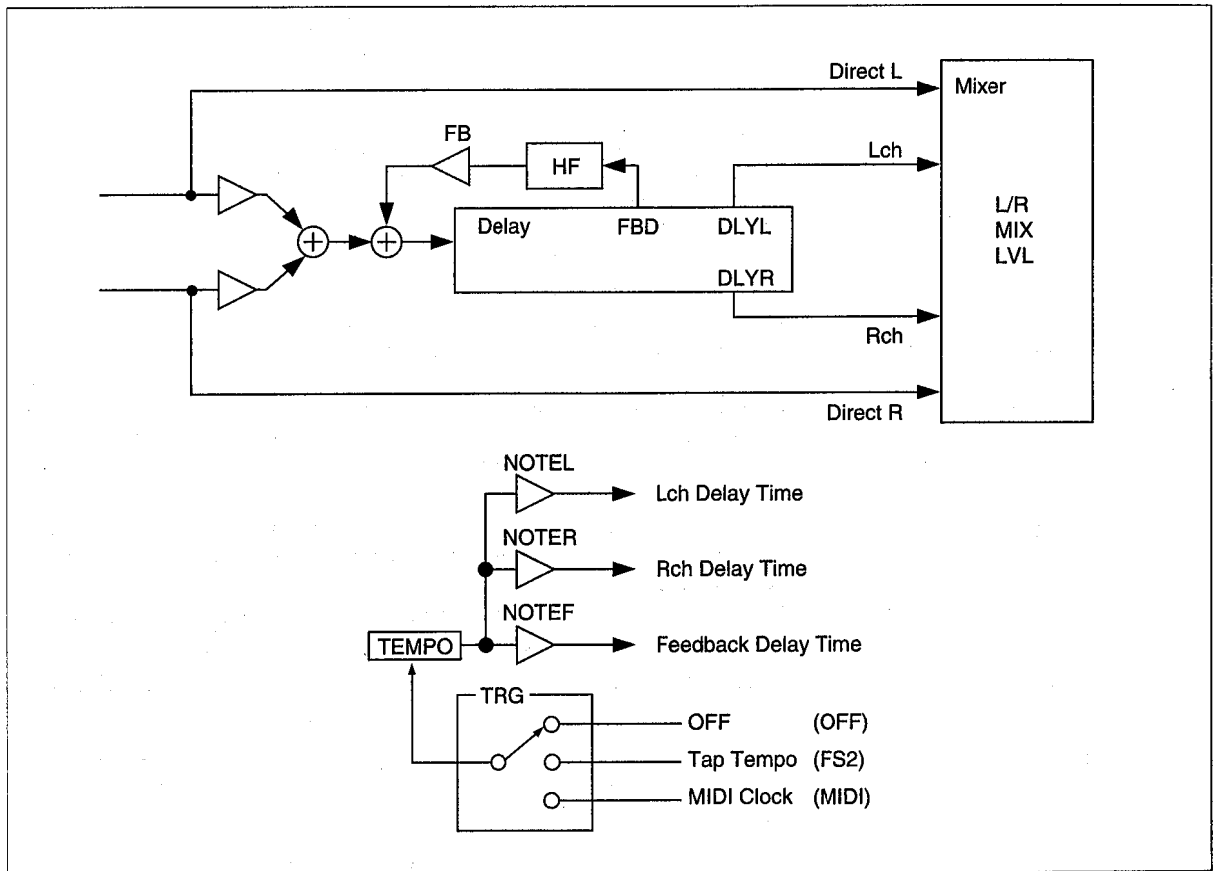
Valeur de la note de Feedback

Détermine la valeur de la note pour la synchronisation de Tempo de Feedback.

Feedback

Contrôle le nombre de répétitions.

Équilibre mixte-	Mélange le son sec avec l'effet de retard (Lorsque cette fonction est réglé sur 100 %, seul l'effet Chorus est créé.)
Niveau de sortie	Niveau global de ce bloc d'effets
Trigger	Sélectionne la source de contrôle externe pour le paramètre Tempo. La valeur du paramètre TEMPO peut être ajustée en utilisant le commutateur au pied (en sélectionnant FS2) ou en utilisant l'horloge MIDI (en sélectionnant MIDI).
Équilibre gauche/droit	Ajuste la position pan de l'effet de retard s'il est déséquilibré à cause d'une valeur de paramètre DEF élevée.
Taux haute fréquence	Un égaliseur "tape-echo" pour les retards. Lorsque la valeur augmente, la gamme haute du son répété s'atténue progressivement créant un echo très naturel.



Retard de modulation de Tempo

Identique au retard de modulation (MDL) avec en plus une commande de Tempo.

Type 6: TMD (Retard de modulation de Tempo)

Page 1

```
TMD  TEMPO NOTE
      ↓=xxx (xx)
```

Page 2

```
TMD  FB  SPD  DEP
      xxx xx.x xxx
```

Page 3

```
TMD      MIX  LVL
          xxx xxx
```

Page 4

```
TMD      TRG  HF
          xxxx xx
```


Section 7: Référence

Paramètre #	Nom	Fonction	Valeur/gamme
Paramètre 1	TEMPO	Tempo	♩=50 ~ 250
Paramètre 2	NOTE	Longueur de la note	♩, ♪, ♫, ♮, ♯, ♭, ♭♭, ♯♯
Paramètre 3	FB	Feedback	0 ~ 100 [%]
Paramètre 4	SPD	Vitesse de modulation	0.1 ~ 20.0 [Hz]
Paramètre 5	DEP	Profondeur de modulation	0 ~ 100 [%]
Paramètre 6	MIX	Equilibre mixte	0 ~ 100 [%]
Paramètre 7	LVL	Niveau de sortie	-∞, -30 ~ +6 [dB]
Paramètre 8	TRG	Trigger	OFF, FS2, MIDI
Paramètre 9	HF	Taux haute fréquence	1 ~ 10

Remarques:

Tempo

Règle le Tempo pour le retard. Le temps de retard ne peut pas être réglé à 670 ms ou plus. Si le TEMPO est réglé à moins de 90 avec la note réglée à un quart de note, le temps de retard devient 670 ms, et la valeur du TEMPO clignote.

Valeur de la note

Sélectionne la longueur de la note.

Feedback

Contrôle le nombre de répétitions.

Vitesse de modulation

Contrôle le taux (vitesse) de l'effet de modulation.

Profondeur de modulation

Contrôle la profondeur de l'effet de modulation sur les retards.

Equilibre mixte

Mélange le son sec avec l'effet de retard (Lorsque cette fonction est réglée sur 100 %, seul l'effet Chorus est créé.)

Niveau de sortie

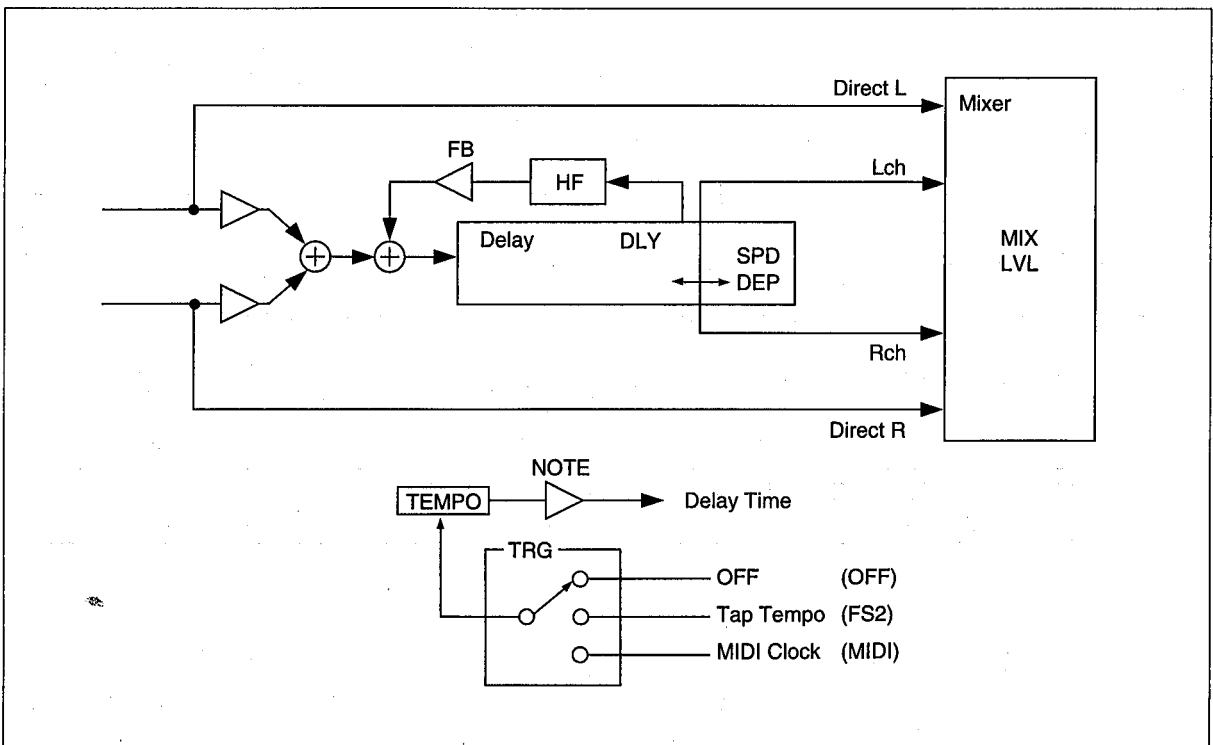
Niveau global de ce bloc d'effets

Trigger

Sélectionne la source de contrôle externe pour le paramètre Tempo. La valeur du paramètre TEMPO peut être ajustée en utilisant le commutateur au pied (en sélectionnant FS2) ou en utilisant l'horloge MIDI (en sélectionnant MIDI).

Taux haute fréquence

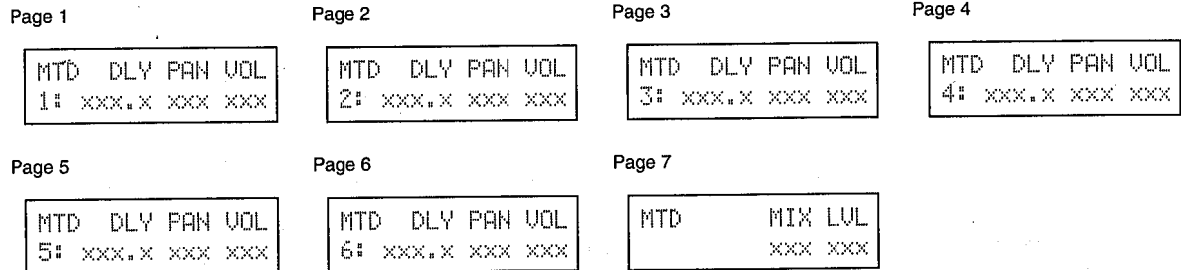
Un égaliseur "tape-echo" pour les retards. Lorsque la valeur augmente, la gamme haute du son répété s'atténue progressivement, créant un echo très naturel.



Retard multiple Tap

Le top! Ce retard vous fera tourner la tête. Avec six temps de retard indépendants, la position pan et la commande de niveau, le son peut être envoyé dans le temps et l'espace!

Type 7: MTD (Retard multiple Tap)



Paramètre #	Nom	Fonction	Valeur/gamme
Paramètre 1	DLY	Temps de retard TAP 1	0.1 ~ 670.0 [msec]
Paramètre 2	PAN	Position Pan TAP 1	L50 ~ L=R ~ R50
Paramètre 3	VOL	Volume TAP 1	0 ~ 100

Les trois paramètres ci-dessus sont répétés de façon identique pour chacun des six Taps du retard.

Paramètre 19	MIX	Equilibre mixte	0 ~ 100 [%]
Paramètre 20	LVL	Niveau de sortie	-∞, -30 ~ +6 [dB]

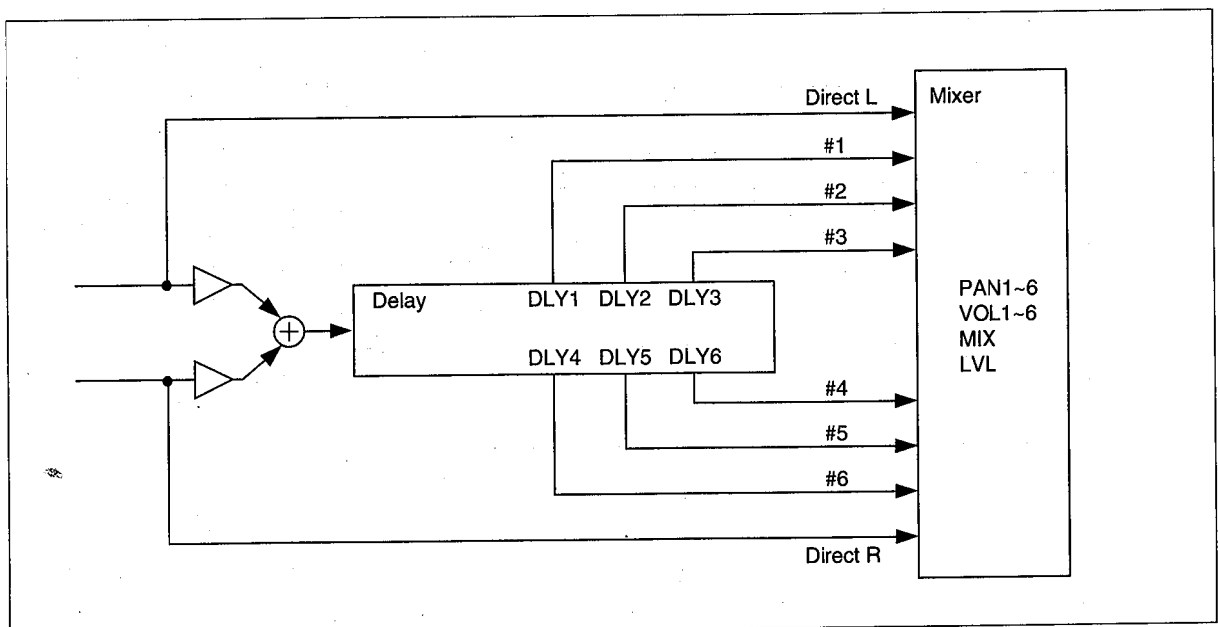
Remarques:

- Temps de retard** Régle le temps pour le Tap sélectionné.
- Position Pan** Détermine la position dans le champ stéréo pour le Tap sélectionné.
- Volume Tap** Régle le volume pour le Tap sélectionné.

Les trois paramètres ci-dessus sont répétés de façon identique pour chacun des six Taps du retard.

Equilibre mixte Mélange le son sec avec l'effet de retard (Lorsque cette fonction est réglée sur 100 %, seul l'effet Chorus est créé.)

Niveau de sortie Niveau global de ce bloc d'effets



Retard "Ducking"

C'est génial! Un son qui s'éloigne pendant qu'on joue (maintenant le son sans parasites), et qui revient ensuite lorsqu'on quitte l'espace dynamique. Un effet très musical.

Type 8: DUC (Retard "Ducking")

Page 1

DUC	DLY	FB	THR
XXX	X	XXX	XX

Page 2

DUC	MIX	LVL
XXX	XXX	XXX

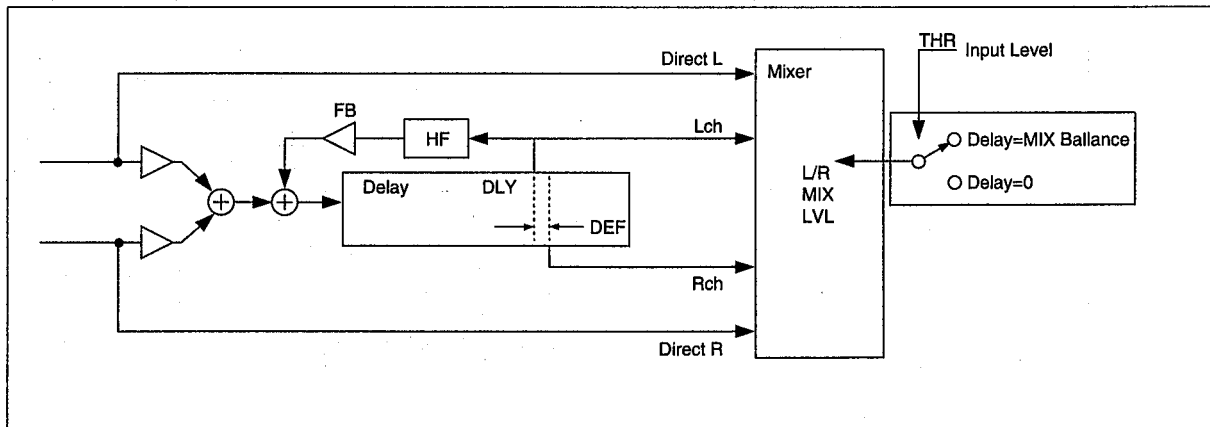
Page 3

DUC	DEF	L/R	HF
	XX	XXX	XX

Paramètre #	Nom	Fonction	Valeur/gamme
Paramètre 1	DLY	Temps de retard	0.1 ~ 670.0 [msec]
Paramètre 2	FB	Feedback	0 ~ 100 [%]
Paramètre 3	THR	Niveau seuil	0 ~ 63
Paramètre 3	MIX	Equilibre mixte	0 ~ 100 [%]
Paramètre 4	LVL	Niveau de sortie	-∞, -30 ~ +6 [dB]
Paramètre 5	DEF	Diffusion	0 ~ 10
Paramètre 6	L/R	Equilibre gauche/droit	L50 ~ L=R ~ R50
Paramètre 7	HF	Taux haute fréquence	1 ~ 10

Remarques:

- Temps de retard** Régle le temps de retard.
- Feedback** Contrôle le nombre de répétitions.
- Niveau seuil** Détermine le niveau d'entrée où l'effet de retard va commencer.
- Equilibre mixte** Mélange le son sec avec l'effet de retard (Lorsque cette fonction est réglée sur 100 %, seul l'effet Chorus est créé.)
- Niveau de sortie** Niveau global de ce bloc d'effets
- Diffusion** Sélectionne des retards serrés à légèrement modifiés.
- Equilibre gauche/droit** Ajuste la position Pan de l'effet de retard s'il est déséquilibré à cause d'une valeur de paramètre DEF élevée.
- Taux haute fréquence** Un égaliseur "tape-echo" pour les retards. Lorsque la valeur augmente, la gamme haute du son répété s'atténue progressivement, créant un echo très naturel.



7.1.9 REVERBERATION

Dans beaucoup de cas, la réverbération est la touche finale du son. Cet effet peut donner au ton une sensation de temps et de place, subtile à dramatique, et le FX770 est prêt pour faire le travail. Caractérisé par quatre types de réverbérations, le FX770 a toutes les caractéristiques nécessaires pour créer l'ambiance approprié à votre son.

LgH (Grande salle), MdR (pièce moyenne), SmR (petite pièce), Spr (Spring)

Page 1

```

xxx RVT HF IDLY
  xx xx xxx.x
  
```

Page 2

```

xxx MIX LVL
  xxx xxx
  
```

Page 3

```

xxx GATE LEVEL
  xx
  
```

Paramètre #	Nom	Fonction	Valeur/gamme
Paramètre 1	RVT	Temps de réverbération	0.1 ~ 4.0
Paramètre 2	HF	Taux haute fréquence	1 ~ 10
Paramètre 3	IDLY	Retard initial	0.1 ~ 100.0 [msec]
Paramètre 4	MIX	Equilibre mixte	0 ~ 100 [%]
Paramètre 5	LVL	Niveau de sortie	-∞, -30 ~ +6 [dB]
Paramètre 6	GATE LEVEL	Niveau de porte de réverbération	0 ~ 63

Remarques:

Temps de réverbération Détermine la durée (temps) du déclin de la réverbération. La valeur standard pour chaque type est 1,0.

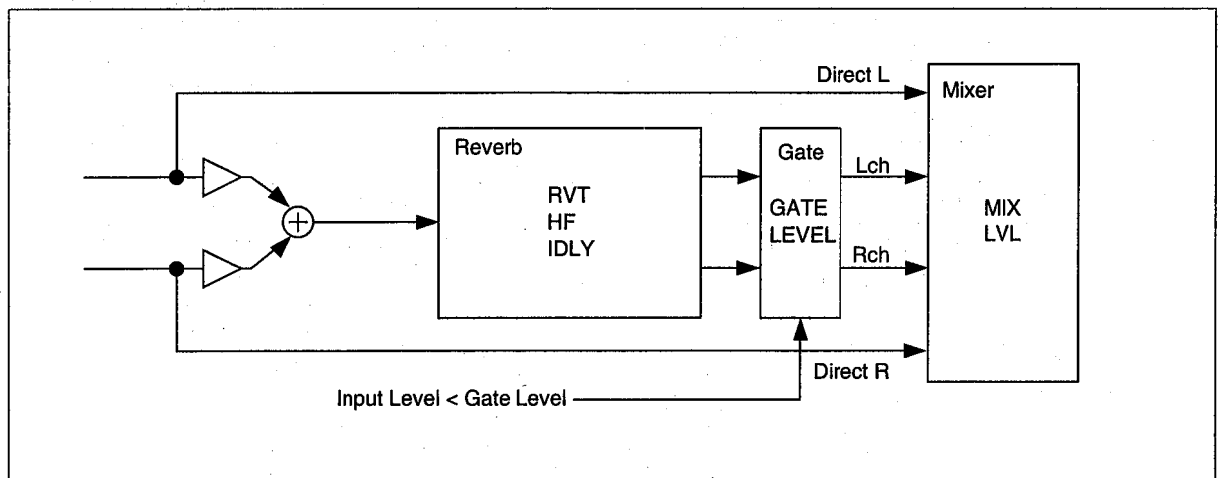
Taux haute fréquence Contrôle de haute fréquence pour la réverbération.

Retard initial Régle le temps avant que la réverbération commence.

Equilibre mixte Mélange le son sec avec l'effet de réverbération (Lorsque cette fonction est réglée sur 100 %, seul l'effet Chorus est créé.)

Niveau de sortie Niveau global de ce bloc d'effets

Niveau de porte Contrôlé par le signal d'entrée, le niveau de porte détermine le nombre de réverbérations passant par la porte.



7.2 GUIDE DE PREREGLAGES DE PROGRAMMES

Ce guide est fourni pour profiter au maximum des programmes pré-réglés du FX770. Il vous aidera à comprendre comment chaque pré-réglage a été créé avec quelques conseils sur le(s) micro(s) à utiliser et le style à jouer. Avec toutes ces possibilités, une bibliothèque de sons personnalisée peut être créée!

Liste de programme pré-réglé du FX770

Programme #	Nom de programme	Type	Style	Micro	Remarque
0	Massive	Distortion/Wet	Solo	Bridge Humbucker	Son de solo hurlant
1	Real Clean	Clean	Chords	Single Coil Combo	Votre son clair de base qui tue
2	Dream Clean	Clean/Wet	Ballad	Single Coil Combo	Le son clair La favori de Michael
3	Wide Clean	Clean/Wet	Chords	Single Coil Combo	Génial pour les "parties", sons doublés
4	Clean Lead	Clean/Wet	Solo	N'importe quel	Solo clean sans micro manche
5	Blue Mood	Overdrive	Riffs	N'importe quel	Blues basic
6	Tunnel Vision	Distortion/Wet	Chords	Bridge Humbucker	Son lead chantant
7	Captain Crunch	Distortion	Chords	Bridge Humbucker	Pensez à "Sandman"
8	Power Trip	Distortion/Wet	Solo	Bridge Humbucker	Monsters of rock
9	L.A. Lead	Distortion/Wet	Solo	Bridge Humbucker	"Luke" aimerait ça
10	Get Funky	Clean	Chords	Single Coil Combo	Génial pour les accords clairs
11	Cleanman	Clean/Wet	Chords	Single Coil Combo	Alimenté par batterie
12	Funky Mute	Clean/Wet	Single Stng	Single Coil Combo	Remplissages et parties sur une corde
13	Pan Police	Clean/Wet	Arpeggio	Single Coil Combo	Every breath you take
14	Rocko Socko	Overdrive	Chords	N'importe quel	Le son intermédiaire de Pete
15	Power Station	Overdrive	Chords	Bridge Humbucker	Get it on
16	Highway 101	Overdrive	Chords	Bridge Humbucker	Vive le slap
17	Rotary Club	Distortion/Wet	Chords	Bridge Humbucker	Une "Pearl" ce son pour jamme
18	Giant Killer	Distortion/Wet	Solo	Bridge Humbucker	Joli son de solo chantant
19	Rat lead	Distortion/Wet	Solo	Bridge Humbucker	Son avec les dents
20	The King	Clean	Chords	Neck Single Coil	Boogie rockabilly
21	Retro Room	Clean	Chords	N'importe quel	Un truc cool des sixties
22	Vibrotrem	Clean	Chords	N'importe quel	Be still my beating heart
23	Memphis Maybe	Clean	Chords	N'importe quel	Stacks -o- tracks avait ce son
24	Good Company	Overdrive	Chords	Neck Single Coil	On peut s'occuper du biz avec celui-ci
25	Just What I Need	Overdrive	Chords	Bridge Humbucker	Hit automobile
26	Strangle Hold	Overdrive	Chords	Bridge Humbucker	The Ted, End of story
27	Z Growl	Overdrive	Chords	Bridge Humbucker	Un morceau de Texas, et beaucoup de son
28	Front Page	Overdrive	Chords	Neck Single Coil	Pensez à Heartbreaker
29	Wah's Up Doc?	Overdrive	Solo	Bridge Humbucker	La pédale Wah ira bien avec celui-ci
30	Warm & Cozy	Clean	Chords	Single Coil Combo	Ooh, c'est beau
31	Ballad FX	Clean/Wet	Arpeggio	Single Coil Combo	Joli
32	Philharmonic	Clean/Wet	Chords	Single Coil Combo	Imprégné dans une symphonie de sons
33	Jazzed	Clean	Solo	Neck	Pass it on, Joe
34	Country Clean	Clean	Chords	Single Coil Combo	Music City l'a rendu célèbre
35	In Between	Overdrive	Chords	N'importe quel	Son rock cool

Programme #	Nom de programme	Type	Style	Micro	Remarque
36	Old Style	Overdrive	Chords	Single Coil Combo	Cinnamon Girl
37	Thick Room	Overdrive	Solo	Bridge Humbucker	Rythme rock de Fat
38	Dyna Lead	Distortion/Wet	Solo	Bridge Humbucker	Un retard dynamique le rend cool
39	Old Faithful	Distortion/Wet	Solo	Bridge Humbucker	Son de solo standard
40	Paperback	Overdrive	Chords	Single Coil Combo	Writers like this
41	On the Edge	Overdrive/Wet	Riffs	Single Coil Combo	In the name of love
42	Tempo Bounce	Overdrive/Wet	Riffs	Single Coil Combo	Jouer des licks de quarts de note
43	Dancing Delays	Clean/Wet	Ballad	Single Coil Combo	Gros, plein et bien pour les ballades
44	Swell Pad	Clean/Wet	Vol. Ped.	Single Coil Combo	Utiliser la pédale de volume pour avoir un "orgue"
45	Stuffyhead	Overdrive	Chords	Bridge Humbucker	Gros rythme rock
46	Bump & Grind	Distortion/Wet	Chords	Bridge Humbucker	Grind it out
47	Slap Lead	Distortion/Wet	Solo	Bridge Humbucker	Idéal pour jouer des notes aiguës
48	Tailgate	Distortion/Wet	Solo	Bridge Humbucker	Au secours, quelqu'un me suit!
49	Fried	Distortion/Wet	Solo	Bridge Humbucker	Tourbillons psychédéliques
50	Nice & Easy	Clean	Chords	Single Coil Combo	Clair avec chorus
51	Premiere	Clean	Chords	Single Coil Combo	Sweet
52	Touchy, Aren't We	Clean	Riffs	Single Coil Combo	Combo simple bobinage, jouer un funk étouffé
53	Swimming	Clean/Wet	Arpeggio	Single Coil Combo	Imprégné dans le son
54	Long Cool Woman	Clean/Wet	Riffs	Single Coil Combo	Combo simple bobinage, Do your best hollies
55	Notch	Overdrive	Riffs	Bridge Humbucker	Money for nothing
56	Don't Look Now	Distortion/Wet	Riffs	Bridge Humbucker	Son de guitare alternative
57	Space Needle	Distortion/Wet	Riffs	Bridge Humbucker	Son de guitare alternative
58	Garage Dudes	Distortion/Wet	Riffs	Bridge Humbucker	Son de guitare alternative
59	Doo Wah Diddy	Distortion/Wet	Solo	Bridge Humbucker	Son de guitare alternative
60	Acoustic	Acoustic	Chords	Steel String	Idéal avec une électro-accoustique
61	Excited	Acoustic	Chords	Steel String	Idéal avec une électro-accoustique
62	Wet Steel	Acoustic	Arpeggio	Steel String	Idéal avec une électro-accoustique
63	Dreadn't Dance	Acoustic	Solo	Steel String	Idéal avec une électro-accoustique
64	APX Pitch	Acoustic	Solo	Steel String	Idéal avec une électro-accoustique
65	Nylon	Nylon Acoustic	Chords	Nylon String	Idéal avec une électro-accoustique
66	Rubberband	Nylon Acoustic	Chords	Nylon String	Idéal avec une électro-accoustique
67	Run On & On	Nylon Acoustic	Arpeggio	Nylon String	Idéal avec une électro-accoustique
68	Solo Nylon	Nylon Acoustic	Solo	Nylon String	Idéal avec une électro-accoustique
69	Nylon Syrup	Nylon Acoustic	Solo	Nylon String	Idéal avec une électro-accoustique
70	With DI Fingers	Clean		Single Coil Combo	Utiliser "Direct" sur votre console ou votre multipistes
71	DI Clean	Clean		Single Coil Combo	Utiliser "Direct" sur votre console ou votre multipistes
72	Chimes DI	Clean/Wet		Single Coil Combo	Utiliser "Direct" sur votre console ou votre multipistes

Section 7: Référence

Programme #	Nom de programme	Type	Style	Micro	Remarque
73	Gas Pedal	Clean/Wet		Single Coil Combo	Utiliser "Direct" sur votre console ou votre multipistes
74	Almost	Overdrive	Chords	Bridge Humbucker	Utiliser "Direct" sur votre console ou votre multipistes
75	Gloom	Overdrive	Chords	Bridge Humbucker	Utiliser "Direct" sur votre console ou votre multipistes
76	Doom	Overdrive	Chords	Bridge Humbucker	Utiliser "Direct" sur votre console ou votre multipistes
77	Direct Crunch	Overdrive	Chords	Bridge Humbucker	Utiliser "Direct" sur votre console ou votre multipistes
78	L.A. Direct	Distortion/Wet	Solo	Bridge Humbucker	Utiliser "Direct" sur votre console ou votre multipistes
79	Charles & DI	Distortion/Wet	Solo	Bridge Humbucker	Utiliser "Direct" sur votre console ou votre multipistes
80	To DI For	Clean	Chords	Single Coil Combo	Utiliser "Direct" sur votre console ou votre multipistes
81	DI Mute	Clean	Chords	Single Coil Combo	Utiliser "Direct" sur votre console ou votre multipistes
82	Pan Pizza	Clean/Wet	Arpeggio	Single Coil Combo	Utiliser "Direct" sur votre console ou votre multipistes
83	Princess DI	Clean/Wet	Arpeggio	Single Coil Combo	Utiliser "Direct" sur votre console ou votre multipistes
84	Direct Mail	Overdrive	Chords	Bridge Humbucker	Utiliser "Direct" sur votre console ou votre multipistes
85	Direct Danger	Overdrive	Chords	Bridge Humbucker	Utiliser "Direct" sur votre console ou votre multipistes
86	Talk To Me	Distortion/Wet	Solo	Bridge Humbucker	Utiliser "Direct" sur votre console ou votre multipistes
87	Raw Frame	Distortion/Wet	Solo	Bridge Humbucker	Utiliser "Direct" sur votre console ou votre multipistes
88	DI Chase	Distortion/Wet	Solo	Bridge Humbucker	Utiliser "Direct" sur votre console ou votre multipistes
89	Dynamic DI	Distortion/Wet	Solo	Bridge Humbucker	Utiliser "Direct" sur votre console ou votre multipistes
90	Shred Direct	Distortion/Wet	Solo	Bridge Humbucker	Utiliser "Direct" sur votre console ou votre multipistes
91	High Solo	Distortion/Wet	Solo	Bridge Humbucker	Solo rapide dans les aigus
92	Rapid Fire	Distortion/Wet	Solo	Bridge Humbucker	Pour les hammers et les pulling-offs
93	Rythm Track	Distortion/Wet	Chords	Bridge Humbucker	Pour les experts de l'accompagnement
94	Mini Pan	SOUND EFFECT	—	N'importe quel	Son joyeux
95	Dr. Robot	SOUND EFFECT	—	N'importe quel	Robot qui parle
96	Bubble Wah	SOUND EFFECT	—	N'importe quel	Bouillonnement
97	Venus	SOUND EFFECT	—	N'importe quel	Essayer le bending en haut du manche
98	Gremlins	SOUND EFFECT	—	N'importe quel	Gremlins qui parlent
99	Space Chatter	SOUND EFFECT	—	N'importe quel	Pistolet laser

7.3 CONSEILS DE PROGRAMMATION

Les conseils suivants sont uniquement des informations générales, prendre le temps pour découvrir soi-même les méthodes pour une utilisation optimale de votre processeur FX770.

Réglages de préampli

- A propos du gain: Il a été démontré qu'avec n'importe quel préampli, lors de l'utilisation de réglages de gain extrêmement élevé, des niveaux d'amplification plus bas produisent une attaque plus articulée et une tonalité mieux définie. Ceci est vrai avec le FX770 également, pour obtenir les meilleurs résultats d'un réglage de préampli à gain élevé, régler modérément les paramètres d'amplification.
- A propos de l'égaliseur (EQ): Le FX770 est équipé d'un égaliseur paramétrique très puissant dans le bloc de préampli. Ce type d'égaliseur (EQ) permet un meilleur contrôle et flexibilité pour créer des sons. Toute cette puissance amène un avertissement: trop de bonnes choses peuvent détruire votre son. Cela signifie, faire attention en cas d'utilisation des commandes de tonalité pré-, post- et principales dans le bloc de préampli. Apprendre à connaître les fréquences qui affectent votre guitare et trouver les "points doux" qui donnent un son naturel à votre guitare.

Réglages de bruit de porte

- Utiliser ces réglages avec discrétion: Des valeurs de bruit de porté trop élevées, coupent le support de votre guitare. Pour régler le bruit de porte, tourner la commande de volume de votre guitare complètement au minimum et écouter le bruit de fond, ensuite utiliser la porte pour réduire ce bruit à un niveau réglable, plus probablement pas complètement jusqu'au bout! Ne pas oublier, le petit bruit pendant que l'orchestre joue ne sera jamais entendu. Pour rendre le FX770 complètement silencieux entre les chansons ou pendant des passages silencieux, utiliser la pédale de volume optionnelle FC1 comme une commande de volume global sur les sorties principales - lorsqu'il est hors circuit, il est silencieux!

Contrôleurs externes

- Ne pas négliger les avantages principaux des contrôleurs externes optionnels. Ces caractéristiques et fonctions sont une conception intégrale du FX770, et elles améliorent le plaisir que procure ce produit. La commande de volume à distance, les commutateurs au pied programmables WAH, FS1 et FS2 fournissent tous cette commande supplémentaire nécessaire, tout en vous permettant de maintenir vos mains sur la guitare en faisant de la musique.

Soutien de mémoire

- Des heures de programmation intensive ne doivent pas être perdues par un oubli de sauvegarde. En utilisant la fonction de vidage de données MIDI du FX770, l'assurance est donnée que ce travail ne sera pas perdu ou détérioré par un ami ou un ennemi. Le vidage de données MIDI est facile et rapide à effectuer, prière de sauvegarder et documenter votre travail.

Applications

- Votre FX770 peut avoir un son différent dans chaque application utilisée! Les tonalités du FX770 varient selon le type de combinaison d'amplificateur/haut-parleur utilisée, par conséquent il faut faire des essais pour trouver la combinaison donnant le meilleur son. La puissance du FX770 permet de créer un son génial dans n'importe quelle application; avec les amplis Combo ou les studios primés, et il est nécessaire de savoir ajuster le FX770 selon chaque type différent d'environnement d'écoute. Le temps consacré pour perfectionner vos compétences avec le FX770 produira des sons étonnants!

7.4 REMARQUE SPECIALE CONCERNANT LES NIVEAUX

Une attention spéciale doit être accordée lors du réglage des niveaux de sortie effectifs individuels situés dans six blocs d'effets. Les blocs Compresseur, Préampli, Pitch, Modulation, Retard et Réverbération ont tous un contrôle de paramètre du niveau de circulation du signal, ce paramètre varie de +6 dB à -30 dB et $-\infty$. Si les réglages de ces niveaux sont trop hauts, un "écrêtage numérique" est produit et une discordance est ajoutée au son. Si un des niveaux ou tous les niveaux sont réglés trop bas, la sortie du FX770 est détériorée. Ces niveaux doivent seulement être utilisés pour "déniveler" le signal dans un bloc d'effets qui a augmenté ou diminué le niveau de signal normal du FX770. En aucun moment la somme de tous les niveaux de sortie ne doit dépasser +6 dB, garantissant ainsi un chemin de signal propre et réglable.

Section 8: Spécifications

8.1 FORMAT DE DONNEES MIDI

FORMAT DE TRANSMISSION

① Données de programme

Lorsqu'une opération PROGRAM DATA BULK OUT est effectuée ou quand un message PROGRAM DATA BULK DUMP REQUEST est reçu par le FX770, les données sont transmises sur le canal MIDI spécifié pour la BANK actuellement sélectionnée. Les données sont transmises de USER PROGRAM #0 à #99 dans le format ci-dessous si le numéro de programme est réglé sur "Tous".

status	1111 0000 (F0h)	
ID #	0100 0011 (43h)	
SUB STATUS	0000 nnnn	nnnn = channel # *1
FORMAT #	0111 1110 (7Eh)	
byte count	0000 0001 (01h)	
byte count	0001 0000 (10h)	
header	0100 1100 (4Ch)	"L"
	0100 1101 (4Dh)	"M"
	0010 0000 (20h)	" "
	0010 0000 (20h)	" "
	0011 1000 (38h)	"8"
	0100 0001 (41h)	"A"
	0011 0010 (32h)	"2"
	0011 0000 (30h)	"0"
data name	0100 1101 (4Dh)	"M"
program #	0nnn nnnn	*2
data	0ddd dddd] 134 byte
	: 0ddd dddd	
check sum	0eee eeee	
EOX	1111 0111 (F7h)	

② Données de tableau de changement de programme

Lorsqu'une opération PROGRAM CHANGE TABLE BULK OUT est effectuée ou quand un message PROGRAM CHANGE TABLE BULK DUMP REQUEST est reçu par le FX770, les données sont transmises sur le canal MIDI spécifié pour la BANK actuellement sélectionnée. Les données sont transmises de BANK A à G dans le format ci-dessous si BANK est réglée sur "Toutes".

status	1111 0000 (F0h)	
ID #	0100 0011 (43h)	
SUB STATUS	0000 nnnn	nnnn = channel # *1
FORMAT #	0111 1110 (7Eh)	
byte count	0000 0001 (01h)	
byte count	0000 1010 (0Ah)	
header	0100 1100 (4Ch)	"L"
	0100 1101 (4Dh)	"M"
	0010 0000 (20h)	" "
	0010 0000 (20h)	" "
	0011 1000 (38h)	"8"
	0100 0001 (41h)	"A"
	0011 0010 (32h)	"2"
	0011 0000 (30h)	"0"
data name	0101 0100 (54h)	"T"
bank #	0bbb bbbb	*3
data	0ddd dddd] 128 byte
	: 0ddd dddd	
check sum	0eee eeee	
EOX	1111 0111 (F7h)	

③ Données de système

Lorsqu'une opération SYSTEM DATA BULK OUT est effectuée ou quand un message SYSTEM DATA BULK DUMP REQUEST est reçu par le FX770, les données sont transmises sur le canal MIDI spécifié pour la BANK actuellement sélectionnée.

status	1111 0000 (F0h)		
ID #	0100 0011 (43h)		
SUB STATUS	0000 nnnn	nnnn = channel # *1	
FORMAT #	0111 1110 (7Eh)		
byte count	0000 0000 (00h)		
byte count	0010 0010 (22h)		
header	0100 1100 (4Ch)	"L"	
	0100 1101 (4Dh)	"M"	
	0010 0000 (20h)	" "	
	0010 0000 (20h)	" "	
	0011 1000 (38h)	"8"	
	0100 0001 (41h)	"A"	
	0011 0010 (32h)	"2"	
	0011 0000 (30h)	"0"	
	data name	0101 0111 (53h)	"S"
	version #	0010 0000	" "
data	0000 0001	V1.0	
	0000 0000		
data	0ddd dddd] 22 byte	
	: 0ddd dddd		
check sum	0eee eeee		
EOX	1111 0111 (F7h)		

④ Toute la masse de données

Lorsqu'une opération ALL BULK OUT est effectuée, les données sont transmises sur le canal MIDI spécifié pour la BANK actuellement sélectionnée.

Toutes les données sont transmises dans l'ordre comme suit.

1. données de USER PROGRAM #0 à #99
2. données de PROGRAM CHANGE TABLE A à G
3. données de SYSTEM

FORMAT DE RECEPTION

① "Note On"

Ce message est reçu sur le canal MIDI spécifié dans la BANK actuellement sélectionnée lorsque le CONTROLLER 1 ou CONTROLLER 2 est attribué à NOTE ON VELOCITY. Lorsqu'un message NOTE ON est reçu, la valeur du paramètre d'effet attribué est modifiée selon la valeur de vitesse reçue. Et, quand EFFECT-TYPE de PITCH SECTION est SPI, ce message est reçu comme un message pour contrôler la valeur de décalage de pitch.

La valeur de la vitesse est ignorée. La réception n'est pas possible lorsque le paramètre de base KEY est sur OFF.

```
status      1001 nnnn      nnnn = channel # *1
1st data    0kkk kkkk      kkkkkkkk = note number *4
2nd data    0vVV vVVV      vVVVVVVV = velocity *5
```

② CHANGEMENT DE NUMERO DE CONTROLE

Ce message est reçu sur le canal MIDI spécifié dans la BANK actuellement sélectionnée lorsque le CONTROLLER 1 ou CONTROLLER 2 sont attribués à un numéro de contrôle. Lorsqu'un message CONTROL CHANGE est reçu, la valeur du paramètre d'effet attribué est modifié selon la valeur de contrôle reçue.

```
status      1011 nnnn      nnnn = channel number *1
1st data    0ccc cccc      cccccccc = control number *6
2nd data    0vVV vVVV      vVVVVVVV = control value *7
```

③ CHANGEMENT DE PROGRAMME

Ce message est reçu sur le canal MIDI spécifié dans la BANK sélectionnée actuellement. Lorsqu'un message PROGRAM CHANGE est reçu, le programme d'effet attribué au numéro de programme reçu dans le tableau d'attribution de changement de programme de la BANK actuelle est sélectionné.

```
status      1100 nnnn      nnnn = channel number *1
1st data    0ppp pppp      pppppppp = program number *8
```

④ CHANNEL PRESSURE

Ce message est reçu sur le canal MIDI spécifié dans la BANK sélectionnée actuellement lorsque CONTROLLER 1 ou CONTROLLER 2 est attribué à CHANNEL PRESS. Lorsqu'un message CHANNEL PRESSURE est reçu, la valeur du paramètre d'effet attribué est modifiée en fonction de la valeur de la pression reçue.

```
status      1101 nnnn      nnnn = channel number *1
1st data    0vVV vVVV      vVVVVVVV = pressure value *9
```

⑤ ACTIVE SENSING

Après la réception de ACTIVE SENSING, si l'intervalle est de plus de 300 millisecondes, le volume MIDI est réglé au maximum.

```
1111 1110      active sensing
```

⑥ HORLOGE DE SYNCHRONISATION

Pour le type d'effet suivant, lorsque le paramètre TRG est MIDI, la vitesse de modulation ou le temps de retard est réglé sur l'intervalle de TIMING CLOCK.

```
1111 1000      timing clock
```

section	type d'effet	pparamètre à régler à l'intervalle de MIDI CLOCK
MOD	PAN,TRM	vitesse de modulation
DELAY	TD1,TD2,TMD	temps de retard

⑦ Demande de vidage de masse de données de programme

Reçue sur le canal MIDI spécifié pour la banque sélectionnée actuellement.

Lors de la réception, les données correspondant au programme sont transmises.

```
status      1111 0000 (F0h)
ID #        0100 0011 (43h)
SUB STATUS  0010 nnnn      nnnn = channel # *1
FORMAT #    0111 1110 (7Eh)
header      0100 1100 (4Ch)  "L"
            0100 1101 (4Dh)  "M"
            0010 0000 (20h)  " "
            0010 0000 (20h)  " "
            0011 1000 (38h)  "8"
            0100 0001 (41h)  "A"
            0011 0010 (32h)  "2"
            0011 0000 (30h)  "0"
data name    0100 1101 (4Dh)  "M"
program #    0nnnn nnnnn      *2
BOX         1111 0111 (F7h)
```

⑧ Demande de vidage de masse de tableau de changement de programme

Reçue sur le canal MIDI spécifié pour la banque sélectionnée actuellement.

Lors de la réception, les données correspondant au tableau de changement de programme de la banque spécifiée sont transmises.

```
status      1111 0000 (F0h)
ID #        0100 0011 (43h)
SUB STATUS  0010 nnnn      nnnn = channel # *1
FORMAT #    0111 1110 (7Eh)
header      0100 1100 (4Ch)  "L"
            0100 1101 (4Dh)  "M"
            0010 0000 (20h)  " "
            0010 0000 (20h)  " "
            0011 1000 (38h)  "8"
            0100 0001 (41h)  "A"
            0011 0010 (32h)  "2"
            0011 0000 (30h)  "0"
data name    0101 0100 (54h)  "T"
bank #       0bbb bbbb      *3
BOX         1111 0111 (F7h)
```

- ⑨ **Demande de vidage de masse de données de système**
Reçue sur le canal MIDI spécifié pour la banque sélectionnée actuellement.
Lors de la réception, les données correspondant aux données d'initialisation du système sont transmises.

```

status      1111 0000 (F0h)
ID #        0100 0011 (43h)
SUB STATUS  0010 nnnn      nnnn = channel # *1
FORMAT #    0111 1110 (7Eh)
header      0100 1100 (4Ch)  "L"
            0100 1101 (4Dh)  "M"
            0010 0000 (20h)  " "
            0010 0000 (20h)  " "
            0011 1000 (38h)  "8"
            0100 0001 (41h)  "A"
            0011 0010 (32h)  "2"
            0011 0000 (30h)  "0"
data name   0101 0011 (53h)  "S"
            0010 0000 (20h)  " "
EOX         1111 0111 (F7h)

```

- ⑩ **Demande de changement de banque**
Reçue sur le canal MIDI spécifié pour la banque sélectionnée actuellement.
Lors de la réception, la banque spécifiée est rappelée.

```

status      1111 0000 (F0h)
ID #        0100 0011 (43h)
SUB STATUS  0000 nnnn      nnnn = channel # *1
FORMAT #    0111 1110 (7Ch)
byte count  0000 0000 (00h)
            0000 1101 (0Dh)
header      0100 1100 (4Ch)  "L"
            0100 1101 (4Dh)  "M"
            0010 0000 (20h)  " "
            0010 0000 (20h)  " "
            0011 1000 (38h)  "8"
            0100 0001 (41h)  "A"
            0011 0010 (32h)  "2"
            0011 0000 (30h)  "0"
data name   0101 0101 (55h)  "U"
            0010 0000 (20h)  " "
version #   0000 0001      V1.0
            0000 0000
bank #      0bbb bbbb      *3
check sum   0eee eeee      *10
EOX         1111 0111 (F7h)

```

- ⑪ **Données de programme**
Le format de données est le même que "Données de programme" pour la transmission.
- ⑫ **Données de tableau de changement de programme**
Le format de données est le même que "Données du tableau de changement de programme" pour la transmission.
- ⑬ **Données de système**
Le format de données est le même que "Données de système" pour la transmission.

REMARQUES

*1 # de canal

nnnn	# de canal
0	1
:	:
15	16

*2 # de programme

mmm mmmm	# de programme
0	0
:	:
99	99

*3 # de banque

bbb bbbb	# de banque
1	A
2	B
3	C
4	D
5	E
6	F
7	G

*4 numéro de note >>>

kkkkkkkk = 0 - 127

*5 vitesse

vvvvvvv = 1 - 127

*6 numéro de contrôle

ccccccc = 1 - 31, 64 - 95

*7 valeur de contrôle

vvvvvvv = 0 - 127

*8 numéro de programme

ppp pppp	numéro de programme
0	1
:	:
127	128

*9 valeur de pression

vvvvvvv = 0 - 127

*10 eeeeeee est un nombre supplémentaire produit par la multiplication des 7 bits inférieurs de l'en-tête et de tous les bytes de données.

8.2 Spécifications générales

CARACTERISTIQUES ELECTRIQUES

Réponse en fréquence	20 Hz ~ 20 kHz
Plange dynamique	85 dB
Bruit de ronflement	-81dBm
Distortion	≤ 0,1% @ 1 kHz, max.

ENTREE

Nombre de canaux	1 (mono)
Niveau nominal	-20 dBm
Impédance	1 MΩ

SORTIE

Nombre de canaux	2 (stéréo)
Niveau nominal	-10 dBm
Impédance	2 kΩ

INSERT SEND

Nombre de canaux	1
Niveau nominal	-20 dBm
Impédance	1 kΩ

INSERT RETURN

Nombre de canaux	1
Niveau nominal	-20 dBm
Impédance	10 kΩ

CONVERTISSEURS A/N

A/N	16 bit
N/A	16 bit
Fréquence d'échantillonnage	44,1 kHz

MEMOIRE

Programme pré réglé	100 (n° 0 ~ 99)
Programme de l'utilisateur	100 (n° 0 ~ 99)

PANNEAU AVANT

Commutateur	POWER (alimentation)
Touches	EFFECT × 9 PLAY, EDIT, UTILITY, BYPASS, EFF TYPE, ◀, ▶, STORE
Réglage	INPUT LEVEL, PRESENCE, OUTPUT LEVEL, DATA ENTRY
Affichage, Indicateur	16-caractères × 2LCD, DEL à 7 segments × 2, PRESET, USER LED, EFFECT LED × 9, PLAY, EDIT, UTILITY, BYPASS LED, PEAK, SIGNAL LED
Connecteur	INPUT

PANNEAU ARRIERE

Commutateur	METER SELECT, MIDI THRU/OUT
Réglage	RETURN LEVEL
Connecteur	INSERT SEND, RETURN (Prise × 2) OUTPUT L (MONO), R (Prise × 2) FOOT CTRL VOLUME, WAH (Prise × 2) FOOT SWITCH FS1 (BYPASS), FS2 (Prise × 2) MIDI IN, THRU/OUT (DIN 5 × 2)
ALIMENTATION	Modèle pour le USA et le Canada : 120 V, 60 Hz Modèle Royaume-Uni : 240 V, 50 Hz Modèle général : 230 V, 50 Hz

CONSOMMATION ELECTRIQUE

12W

DIMENSIONS (L × H × P)

480 × 45,3 × 336,4 mm

POIDS

3,6 kg

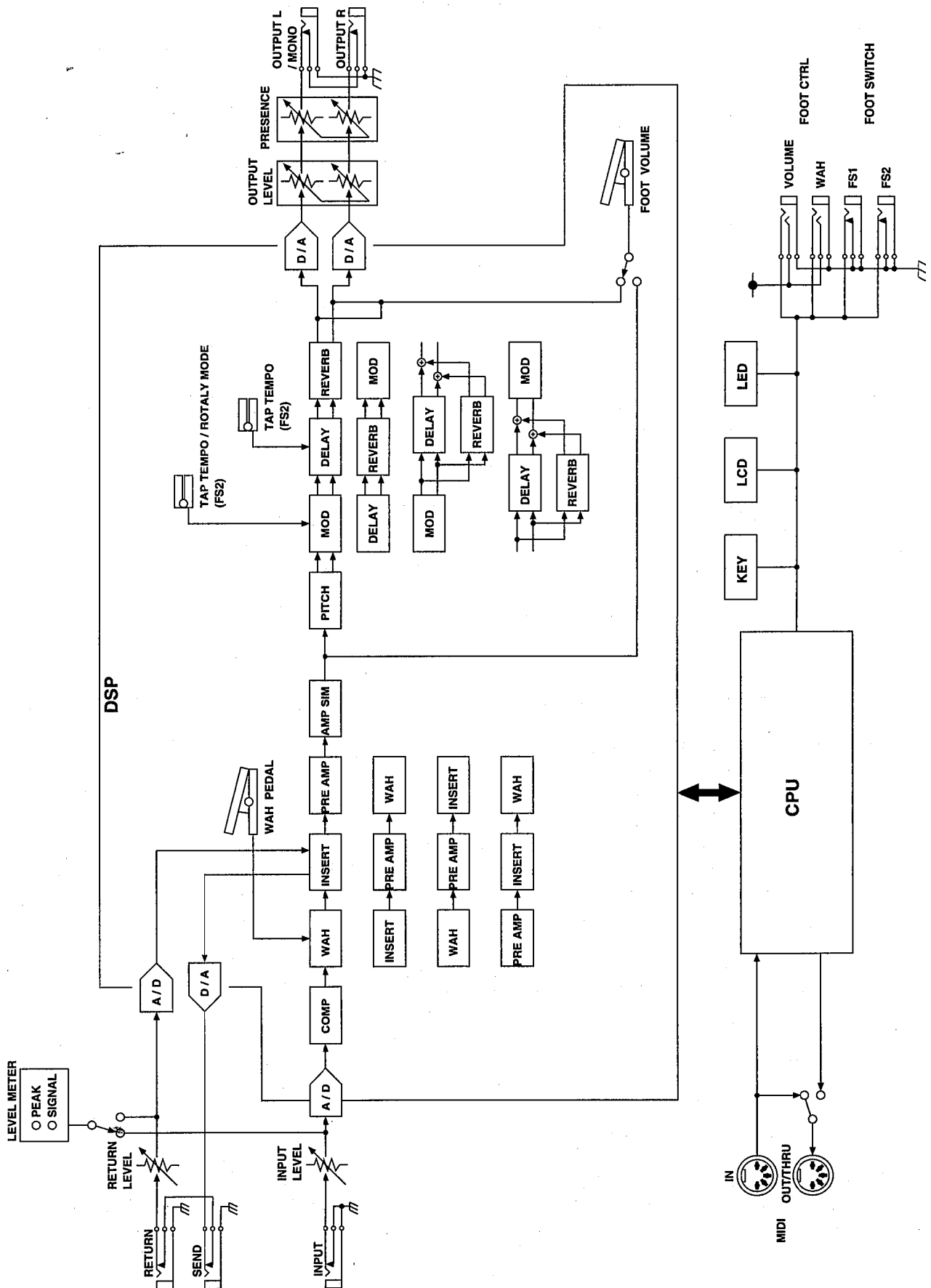
ACCESSOIRE

Auto-collants de bols d'effets

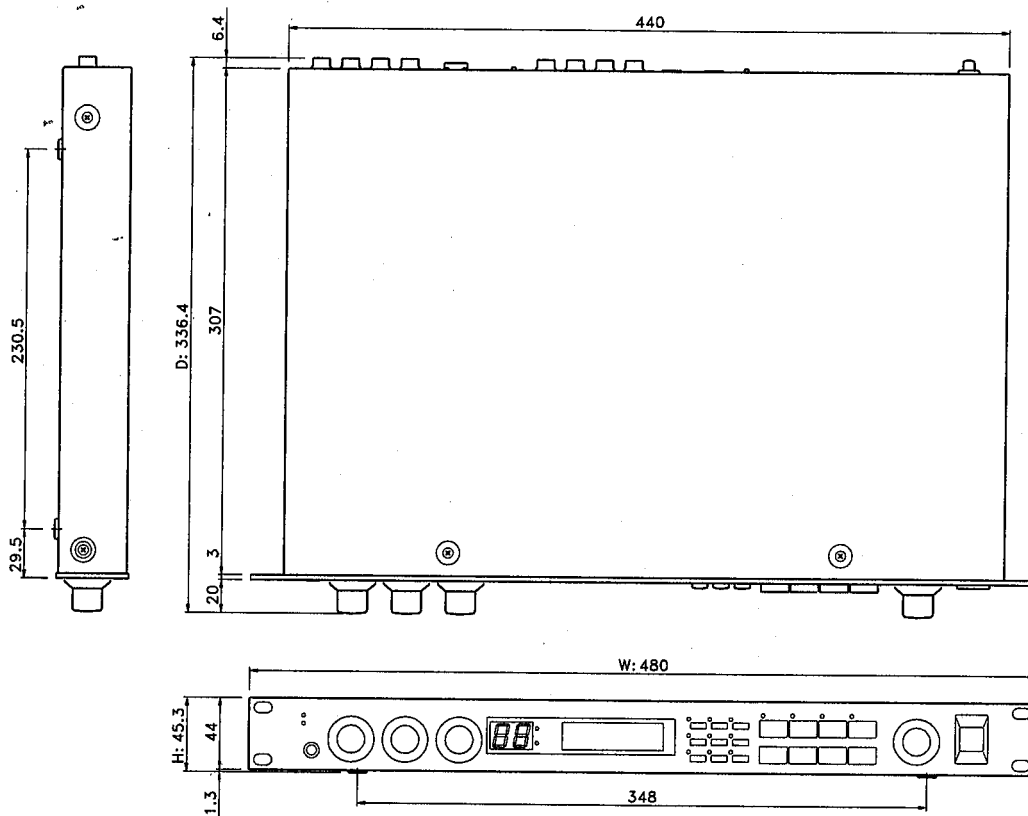
· 0 dB = 0,775 V efficace

· Les spécifications et l'aspect extérieur sont modifiables sans préavis.

8.3 Schéma de principe interne



8.4 Dimensions



8.5 Option

Contrôleur au pied MIDI MFC05

Ce contrôleur vous permet de rappeler 10 programmes.

Contrôleur au pied MIDI MFC06

Ce contrôleur vous permet de rappeler 5 programmes et de commuter sur ON/OFF 5 blocs d'effets.

Contrôleur au pied MIDI MFC1

Ce contrôleur vous permet de rappeler directement 8 programmes, de rappeler en séquence 20 programmes et de contrôler les paramètres d'effet en utilisant le message de changement de contrôle. Le séquenceur peut également être contrôlé (le démarrage et l'arrêt).

Commutateur au pied FC5

Ce commutateur vous permet de mettre le commutateur Bypass et le bloc d'effet sur ON/OFF, de régler le temps de retard et de rappeler les programmes séquentiellement.

Contrôleur au pied FC7

Ce contrôleur vous permet de commander le volume et la Wah.

Pédale de volume VP500, VP50ST

Cette pédale vous permet de commander le volume et la Wah. Elle convient pour la lecture en restant debout.

Câble d'insertion E/S YIC025 (2,5 m), YIC050 (5,0 m), YIC07 (7,0 m)

En connectant une pédale de volume de la guitare telle que la VP500 et VP50ST à l'aide de ce câble, le volume et la Wah peuvent être contrôlés.

Guide de dépannage

Si vous éprouvez des difficultés à faire fonctionner le FX770, passez en revue les symptômes énoncés ci-dessous, puis suivez les solutions proposées.

Symptôme	Causes	Remèdes	Page
Aucun son n'est produit, indépendamment du réglage de volume de l'unité	Les données MIDI envoyées d'une unité MIDI ont réglé le volume au minimum.	Envoyer les données MIDI pour augmenter le volume de l'unité MIDI connectée. Ou, retirer le câble MIDI connecté à la prise MIDI IN de l'unité.	Page 34
	Un des paramètres d'effet lié au volume a été réglé au minimum.	Corriger la valeur du paramètre.	Pages 37 ~ 63
	La porte du bruit a été réglée trop haut.	Changer la valeur en une valeur appropriée.	Page 16
Aucun effet n'est produit	BYPASS est actif. (L'indicateur est allumé.)	Appuyer sur la touche [BYPASS] pour annuler la fonction BYPASS.	
	La valeur du paramètre d'effet est incorrecte.	Corriger la valeur du paramètre.	Pages 37 ~ 63
"NO DATA" est affiché sur l'écran à cristaux liquides (LCD) lorsqu'un programme est rappelé.	L'unité a reçu des données de programme non appropriées via l'unité MIDI.	Envoyer les données de programme correctes, modifier le programme ou copier un programme correct.	

Tableau des programmes

Program No.

COMP	ON/OFF	TYPE	ATK	SUS	LVL	Title					
	WAH	ON/OFF	TYPE	CTRL	SEN	PNT	SPD	RES	POSITION		
PRE AMP	ON/OFF	TYPE	DRV	MVL	BAS	MID	TRB	PRS	TYP	FIL	
			USER TONE	BAS-FRQ	BAS-Q	MID-FRQ	MID-Q	TRB-FRQ	TRB-Q		
			PrEQ-FRQ	PrEQ-GAI	PrEQ-Q	PsEQ-FRQ	PsEQ-GAI	PsEQ-Q			
INSERT	ON/OFF	INSERT POINT									
AMP SIM	ON/OFF	CHR	DEP	DI							
PITCH	ON/OFF	TYPE									
		•SPI	PCL	PFL	VoIL	PCR	PFR	VoIR			
			WID	MIX	LVL	DLY	FIL	KEY			
		•PCH	DEP	MIX	LVL	DLY	FIL				
MOD	ON/OFF	TYPE									
		•CHO	SPD	PMD	AMD	WID	MIX	LVL	DLY	LFO	FIL
		•FLG	SPD	DEP	DLY	FB	WID	MIX	LVL	LFO	FIL
		•SYM	SPD	DEP	WID	MIX	LVL	DLY	FIL		
		•ROT	MODE	MIX	LVL	SLOW	FAST	RATE	FIL		
		•PAN	TEMPO	NOTE	DEP	MIX	LVL	TRG	DIR	LFO	FIL
		•TRM	TEMPO	NOTE	DEP	MIX	LVL	TRG	LFO	FIL	
	•SNW	SEN	RES	MODE	MIX	LVL	FIL				
DELAY	ON/OFF	TYPE									
		•DL1	DLY	FB	MIX	LVL	DEF	L/R	HF		
		•DL2	DLYL	DLYR	FBD	FB	MIX	LVL	L/R	HF	
		•MDL	DLY	FB	SPD	DEP	MIX	LVL	HF		
		•TD1	TEMPO	NOTE	FB	MIX	LVL	TRG	DEF	L/R	HF
		•TD2	TEMPO	NOTEL	NOTER	NOTEF	FB	MIX	LVL	TRG	L/R
			HF								
		•TMD	TEMPO	NOTE	FB	SPD	DEP	MIX	LVL	TRG	HF
		•MTD	DLY1	PAN1	VOL1	DLY2	PAN2	VOL2	DLY3	PAN3	VOL3
			DLY4	PAN4	VOL4	DLY5	PAN5	VOL5	DLY6	PAN6	VOL6
	MIX		LVL								
	•DUC	DLY	FB	THR	MIX	LVL	DEF	L/R	HF		
REVERB	ON/OFF	TYPE	RVT	HF	IDLY	MIX	LVL	GATE LVL			

MIDI CONTROL CHANGE		
CTRL1	MIN	MAX
CTRL2	MIN	MAX

VOLUME POSITION
AMP SIM→VOL→PIT
ALL EFFECTS→VOL

PATCH No.

NOISE GATE LEVEL

Note:

GUITAR EFFECT PROCESSOR

FX770

BEDIENUNGSANLEITUNG

Bescheinigung des Importeurs

Hiermit wird bescheinigt, daß der/die/das

GUITAR EFFECT PROCESSOR Typ: FX770

(Gerät, Typ, Bezeichnung)

in Übereinstimmung mit den Bestimmungen der

VERFÜGUNG 1046/84

(Amtsblattverfügung)

funkentstört ist.

Der Deutschen Bundespost wurde das Inverkehrbringen dieses Gerätes angezeigt und die Berechtigung zur Überprüfung der Serie auf Einhaltung der Bestimmungen eingeräumt.

Yamaha Europa GmbH

Name des Importeurs

Über den Autor

Der Verfasser dieser Bedienungsanleitung ist Brian C. Swerdfeger, der auch aktiv an der Entwicklung des FX770 beteiligt war.

Brian C. Swerdfeger kennt Gitarristen und alles, was irgendwie mit Gitarren zu tun hat. Als professioneller Gitarrist trat er zum ersten Mal in Disneyland ins Rampenlicht. Später gründete er dann sein eigenes Gitarrengeschäft, in dem vor allem handgemachte Gitarren und professionelle Gitarren-Racks verkauft wurden. Damit hatte er so viel Erfolg, daß auch die besten der Besten ihn baten Gitarren für sie zu bauen. Auch Hersteller von Peripheriegeräten wandten sich an ihn. In den vergangenen zehn Jahren hat Brian für alle weltweit bekannten Musiker Gitarren gebaut und Effektsysteme ausgetüftelt: Von Metal bis Jazz, von Pop bis Country und sogar für die "klassischen Gitarrenwunder". Darüber hinaus gibt Brian regelmäßig Clinics für Yamaha und steht den Japanern bei der Entwicklung mit Rat und Tat zur Seite.

Brians heutige Firma, Contempo Music & Media, vertreibt Bedienungsanleitungen, Training Videos usw., ohne dabei die "custom" Gitarrensysteme zu vernachlässigen. Brian ist ein lockerer Typ, der einen direkten Draht zu Gitarristen hat. Dank seiner reichhaltigen Erfahrung weiß Brian, was Gitarristen wünschen.

Willkommen und viel Spaß mit Ihrem Yamaha FX770!

Ernst. Jeder versucht seine Energie und sein Können zu bündeln, um optimale Ergebnisse zu erzielen. Als Musiker wissen Sie, daß man sich nur mit dem gebührenden Ernst seinem Instrument zu widmen braucht, um immer besser und vielseitiger zu werden.

Bitterer Ernst. Das **Yamaha FX770** ist ein Effektgerät, das speziell für Gitarristen entwickelt wurde. Der Zweck dieses Gerätes ist schnell erklärt: Es soll Sie zu Höchstleistungen anspornen, Ihrer Kreativität den erforderlichen Spielraum bieten und Ihnen beim Spielen helfen.

Signalprozessoren gibt es natürlich nicht erst seit gestern. Aber frühere Modelle zwangen einen immer, mit einem Gerät zu arbeiten, das eigentlich für Toningenieure oder Beschallungsaufgaben konzipiert war. Das **Yamaha FX770** hingegen ist ein neuartiges Gerät, das von der ersten Sekunde an als Signalprozessor gedacht war, der keinen Wunsch oder Traum eines Gitarristen unerfüllt läßt. Das **FX770** ist mithin das Effektgerät schlechthin für Gitarristen, die es ernst meinen.

Das **FX770** ist mit allen Komponenten ausgestattet, die ein Profi heutzutage braucht. Von den Ein- bis zu den Ausgängen ist alles von Kopf bis Fuß auf Flexibilität eingestellt. Mit den neun Effektwahl-tasten und dem Allzweck-DATA ENTRY-Regler wird das Programmieren ein Kinderspiel. Jedes Glied dieser Kette bietet eine umfassende Parametersteuerung. Darüber hinaus sind verschiedene Elemente mit zahlreichen Effekttypen ausgestattet. Das **FX770** überläßt es IHNEN, wie Ihre Gitarre klingen soll. Mit 100 Preset-Programmen und 100 Anwenderspeichern verfügen Sie außerdem über eine ausreichende Sound-Bibliothek.

Diese Bedienungsanleitung enthält alle für die Verwendung des **FX770** notwendigen Informationen. Bitte lesen Sie sie und probieren Sie auch gleich die beschriebenen Funktion aus. Im Kapitel "2.2 Die drei Betriebsarten des **FX770**" lernen Sie das **FX770** erst einmal kennen, also auch die Effekte und Möglichkeiten. Im Prinzip ist dieses Kapitel für den Spieltrieb in Ihnen gedacht, der alles möglichst sofort erst einmal einer genauen Inspektion unterwerfen möchte. Im zweiten Teil werden die Effekte und Funktionen der Reihe nach beschrieben. Hier finden Sie aller Wahrscheinlichkeit nach auch alle Antworten auf eventuelle Fragen, die Sie bezüglich der Bedienung des **FX770** haben.

Wie überall, gilt auch hier, daß noch kein Meister vom Himmel gefallen ist: Je mehr Sie sich mit dem **FX770** beschäftigen, desto besser können Sie es bedienen und desto unersetzlicher wird dieses Gerät für Sie!

Inhaltsverzeichnis

Kapitel 1: Funktionen und Möglichkeiten des FX770	3
1.1 Bedienelemente auf der Frontplatte	4
1.2 Geräterückseite	5
Kapitel 2: Schnellkurs	7
2.1 Einsatzbereich	8
2.2 Die drei Betriebsarten des FX770	9
2.3 Programmeinteilung	10
2.4 Preset-Programme abwandeln (kurz und schmerzlos)	10
2.4.1 Speichern der editierten Programmfassung	11
2.5 Einsatz des eingebauten Stimmgerätes (Schnellverfahren)	11
2.6 Tips für Anspruchsvolle	12
2.6.1 Fußtaster und -schweller	12
2.6.2 MIDI-Steuerung	12
2.6.3 Lautstärke der Effektblöcke	12
Kapitel 3: Play-Betrieb	13
Hauptseite im Play-Betrieb	13
3.1 Programmanwahl	13
3.2 Ein- und Ausschalten der Effektblöcke	13
3.3 Bypass- und Tuner-Funktion im Play-Betrieb	14
Kapitel 4: Der Edit-Betrieb	15
Editieren der Effektparameter	15
Einstellen der anderen Funktionen	15
4.1 Effect Patch-Anordnung (Patch Select)	15
4.2 Noise Gate	16
Anwahl der Noise Gate-Funktion:	16
4.3 Title Edit	16
4.4 Volume Position (Lautstärkeposition)	17
4.5 Effect On/Off (FS1)	18
4.6 CTRL 1 & 2 und die Effekte	19
4.7 Effect Copy	20
4.8 Editieren der Effektparameter	21
Bypass-Funktion im Edit-Betrieb	21
4.9 Speichern	22
Kapitel 5: Der Utility-Betrieb	23
5.1 MIDI-Programmwechsellisten	23
5.2 Mindestwert des Volumenpedals	24
5.3 FS1 Funktion	24
5.4 FS2 Funktion	25
5.5 MIDI-Kanalwahl	26
5.6 MIDI Controller 1 & 2	26
5.7 Effekte mit einem MFC06 ein- und ausschalten	27
MFC06 EFFECT ON/OFF ZUORDNUNG	27
5.8 MIDI Bulk	27
Kapitel 6: Fernbedienung	28
6.1 Fernbedienungsfunktionen (Remote)	28
6.2 Schwellerfunktionen	28
6.3 Fußtasterfunktionen	29
6.4 MIDI-Steuerung	31
6.5 Ansteuern des FX770 mit externen Geräten	34
Kapitel 7: Fakten	35
7.1 Effektparameter	35
7.1.1 Compressor/Limiter	36
7.1.2 WAH-Effekte	37
7.1.3 Preamp	39
7.1.4 Insert Point	41
7.1.5 Amp Simulator	41
7.1.6 Pitch-Effekte	42
7.1.7 Modulationseffekte (MOD)	45
7.1.8 Delay	52
7.1.9 Reverb	61
7.2 Übersicht der Preset-Programme	62
FX770 Preset-Programme	62
7.3 Programmertips	65
7.4 Das Wort zum Pegel	66
Kapitel 8: Technische Daten	67
8.1 MIDI-Datenformat	67
Sendeformat	67
Empfangsformat	68
Anmerkungen	69
8.2 Spezifikationen	70
8.3 Blockschaltbild	71
8.4 Abmessungen	72
8.5 Sonderzubehör	72
Fehlersuche	73
Program Table	74

Vorsichtsmaßnahmen!! Bitte lesen, bevor Sie weitermachen!!

- 1. Setzen Sie das FX770 niemals extremen Temperaturen, Feuchtigkeit oder starken Vibrationen aus.**
Stellen Sie das FX770 nicht an feuchten oder extrem warmen Orten auf. Wenn Sie es in ein Rack einbauen, sollte es sich niemals über einem Gerät befinden, das viel Wärme freisetzt. Lassen Sie immer mindestens eine HE zwischen dem FX770 und anderen Geräten frei, um eine optimal Lüftung zu gewährleisten. Erforderlichenfalls können Sie eine optionale VP-1 Lüftungsblende in Ihr Rack einbauen.
Meiden Sie außerdem sehr staubige Orte und Vibrationen, die zu mechanischen Schäden führen könnten.
- 2. Behandeln Sie das FX770 mit der gebotenen Umsicht.**
Lassen Sie das FX770 niemals fallen und behandeln Sie es niemals mit roher Gewalt.
- 3. Niemals das Gehäuse öffnen oder das FX770 selbst reparieren.**
Dieses Gerät sollten Sie niemals selbst reparieren. Überlassen Sie diese Arbeiten dem qualifizierten Yamaha-Kundendienst. Außerdem erlischt beim Öffnen oder Modifizieren des FX770 automatisch der Garantieanspruch.
- 4. Vor dem Anschließen ausschalten.**
Schalten Sie das FX770 und die übrigen Geräte AUS, bevor Sie Anschlüsse vornehmen oder abtrennen.
- 5. Kabel umsichtig behandeln.**
Ziehen Sie niemals an den Kabeln, sondern immer nur an den Steckern, um das Reißen der Adern zu vermeiden.
- 6. Mit einem weichen trockenen Tuch abwischen.**
Verwenden Sie zum Reinigen des FX770 ein trockenes Tuch, aber niemals Benzol, Verdünner usw.
- 7. Richtiges Netzteil verwenden.**
Um Schäden zu vermeiden, dürfen Sie das FX770 ausschließlich mit der erforderlichen Netzspannung betreiben. Kontrollieren Sie also immer, ob das Gerät an das Stromnetz in Ihrer Gegend angeschlossen werden darf (siehe das Typenschild auf der Geräterückseite).
- 8. Interferenz**
Da das FX770 digitale Schaltkreise enthält, kann es den Empfang von Radios oder Fernsehern stören. Wenn das der Fall ist, sollten Sie sie weiter von dem gestörten Gerät entfernt aufstellen.
- 9. MIDI-Kabel**
Verwenden Sie für die MIDI-Anschlüsse nur hochwertige MIDI-Kabel, die nicht länger als 15 Meter sind. Längere Kabel sind nämlich sehr empfindlich gegen Störungen und könnten Übertragungsfehler bewirken.
- 10. Pufferbatterie**
Das FX770 enthält eine Batterie, die den RAM-Speicher mit Strom versorgt, sobald Sie es ausschalten. Die Lebensdauer dieser Batterie beträgt mehrere Jahre. Trotzdem sollten Sie wichtigen Einstellungen auch extern speichern (SysEx/Bulk Dump). Hierfür könnten Sie z.B. einen MDF2 MIDI Data Filer von Yamaha verwenden. Sobald die Spannung der Batterie nicht mehr ausreicht, um den Speicherinhalt zu erhalten, wird beim Einschalten folgende Meldung angezeigt:

** WARNING ** LOW BATTERY

Lassen Sie die Batterie dann so schnell wie möglich vom qualifizierten Yamaha-Kundendienst auswechseln. TUN SIE DAS NIEMALS SELBST!

11. Fehlermeldungen

Jedesmal, wenn Sie das Gerät einschalten, fährt es ein kleines Kontrollprogramm, um die Funktion der wichtigsten Parameter zu überprüfen. Wird hierbei ein Fehler festgestellt, zeigt das MEMORY-Display eine Fehlermeldung an ("E1" bis "E4"). Auch in diesem Fall sollten Sie das FX770 umgehend zu Ihrem Händler oder einem qualifizierten Yamaha-Kundendienst bringen. Vergessen Sie dabei nicht, die Nummer der angezeigten Fehlermeldung zu erwähnen.

Kapitel 1: Funktionen und Möglichkeiten des FX770

Gewichtsprobleme?

Endlich gibt es das FX770. Die Zeiten, in denen ein gestandener Gitarrist 2 Roadies brauchte, um sein 150 kg schweres und 24HE großes Rack zu tragen, sind also endgültig vorüber.

„Alte Hasen wissen vielleicht noch, daß ein Gitarrist früher mehrere Vorverstärker, Schaltsysteme und fünf Effektprozessoren brauchte, ganz zu schweigen von dem Ingenieur, der dann jedesmal alles verkabeln mußte. So viel Material brauchte man, um über alle Funktionen zu verfügen, die das FX770 bietet.

Und schon damals träumten Hellscher, daß „eines Tages alle Geräte Platz haben werden in einem 1HE kleinen Gehäuse.“

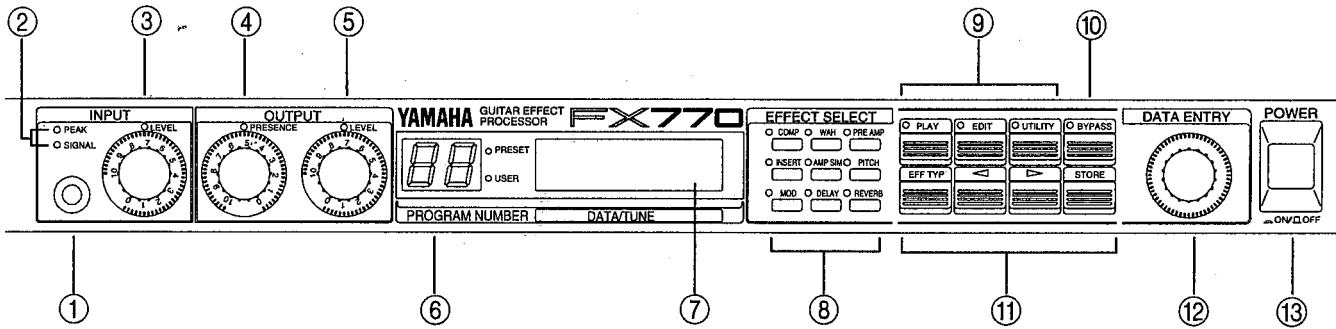
Das fällt ins Gewicht!

Ebenso pathetisch könnten wir heute sagen: „Willkommen in der Zukunft, in der die Gitarrenwelt endlich in Ordnung ist.“ Dank seiner Konzeption und der zahlreichen Effekte, ist das FX770 das vielseitigste Effektgerät, das die Menschheit jemals für Gitarristen gebaut hat. Sehen wir uns die Vorteile kurz an:

- Drei Compressor/Limiter-Typen
- Drei WAH-Typen mit mehreren Steuermöglichkeiten (Pedal, Eingangspedal, LFO usw.)
- Sieben digital simulierte Vorverstärkertypen mit den amtlichen Brat- und Röhren-Sounds.
- Anwendungsmöglichkeit externen Effekte mit wählbaren Einschleifpunkten
- Lautstärke und WAH können mit einem Schweller (FC7) oder einem Gitarrenvolumenpedal geregelt werden.
- Die wichtigsten Parameter können in Echtzeit (mit MIDI-Steuerbefehlen) editiert werden
- Der Amp Simulator hat den Sound verschiedener Lautsprechertypen „drauf“
- Das FX770 bietet Tonhöheneffekte, darunter Stereo Pitch Shift und Pitch Chorus
- Modulationseffekte bis zum Abwinken! Chorus, Flanger, Symphonic, Rotary Speaker, Panning, Tremolo und der brandneue Resonator-Effekt
- Eindrucksvolle Delays: Mono Delay, Stereo Delay, Modulation Delay, Tempo Delay, Stereo Tempo Delay, Tempo Modulation Delay, Multi-Tap Delay und Ducking Delay
- Und natürlich Hall – Spring, Small und Medium Room mit wählbarem Halltyp

Die wichtigsten Parameter können auch mit einer Fernbedienung angesteuert werden. Mit vier Steuerfunktionen und einer eindrucksvollen MIDI-Implementierung ist jeder Wunsch dem FX770 Befehl. Genug also der hehren Worte und los...

1.1 Bedienelemente auf der Frontplatte



① Gitarreneingang

Schließen Sie hier Ihre Gitarre an und stellen Sie den Eingangspegel gemäß den Anweisungen unter "3 INPUT LEVEL Regler" ein.

② SIGNAL und PEAK Dioden

Diese Dioden helfen Ihnen beim Einstellen des richtigen Eingangspegels, so daß es niemals zu unerwünschter Verzerrung kommen kann. Diese Dioden sind sowohl dem Gitarreneingang als auch der Buchse **INSERT LOOP RETURN** zuzuordnen. Die Einstellung nehmen Sie bitte mit dem **METER SELECT** Schalter auf der Rückseite vor.

③ INPUT LEVEL Regler

Den optimalen Eingangspegel erzielen Sie, wenn Sie beim Einstellen so laut wie möglich spielen und den Input Level daraufhin so einstellen, daß die SIGNAL Diode fast durchweg aufleuchtet. Die PEAK Diode darf hingegen niemals blinken (nur bei ungewöhnlichen hohen Signalspitzen).

④ OUTPUT PRESENCE Regler

Dieser Regler dient zum Filtern der Höhen. Das dazugehörige Filter befindet sich vor den Stereo-Ausgängen. In der Regel ist "10" der angemessene Wert, aber wenn Sie einen etwas dumpferen Klang möchten, können Sie auch einen kleineren Wert einstellen.

⑤ OUTPUT LEVEL Regler

Mit diesem Regler bestimmen Sie den Ausgangspegel des FX770, mithin also den Pegel, den Sie an das Mischpult oder die Endstufe anlegen.

⑥ PROGRAM NUMBER LED-Anzeige

Hier erscheint jeweils die Nummer des angewählten **Preset** oder **User Programms**. Im **Tuner-Betrieb** wird hier außerdem der Name der Noten angezeigt.

⑦ LCD Display

Dieses Display ist die "Auskunft" Ihres FX770, die Sie jeweils informiert über die Betriebsart, die Programme und alle anderen Parameter.

⑧ EFFECT SELECT Tasten

Im Play-Betrieb dienen diese Tasten zum Ein- und Ausschalten der **Effektblöcke** (siehe "Kapitel 3: Play-Betrieb"). Im Edit-Betrieb wählen Sie mit diesen Tasten den **Effektblock** an, den Sie editieren möchten (siehe "Kapitel 4: Der Edit-Betrieb").

Dienen diese Tasten zur Anwahl des betreffenden **Effektblocks**, erlauben sie Ihnen außerdem, den betreffenden Block aus der Signalkette zu entfernen oder ihn zuzuschalten.

⑨ Betriebsartwahltasten

Mit diesen Tasten können Sie den PLAY-, EDIT- und UTILITY-Betrieb aktivieren.

⑩ BYPASS Taste

Im Play-Betrieb können Sie mit dieser Taste die Bypass- und Tuner-Funktion anwählen. Im Edit-Betrieb dient diese Taste dient diese Taste zum Ein- und Ausschalten der Effektblöcke, die Sie beim Editieren gerade nicht brauchen.

⑪ Funktionstasten

Im Edit-Betrieb können Sie mit diesen Tasten den Effekttyp wählen, den Cursor zum gewünschten Parameter führen und Programme speichern.

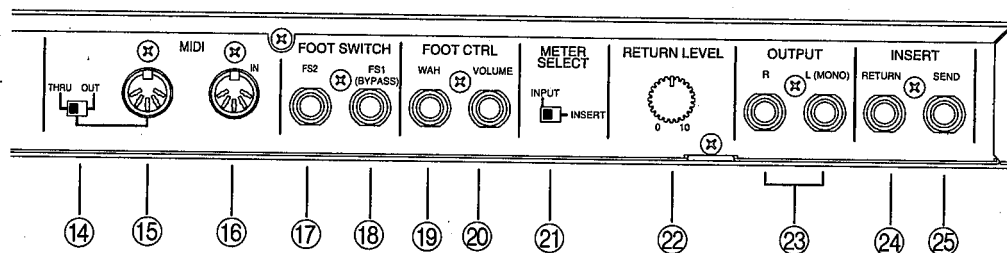
⑫ DATA ENTRY Regler

Dieser Regler dient zum Einstellen der Parameterwerte sowie zur Anwahl bestimmter Funktionen und Effekte.

⑬ POWER Taste

Drücken Sie diese Taste einmal, um den FX770 einzuschalten und noch einmal, um ihn wieder auszuschalten.

1.2 Geräterückseite

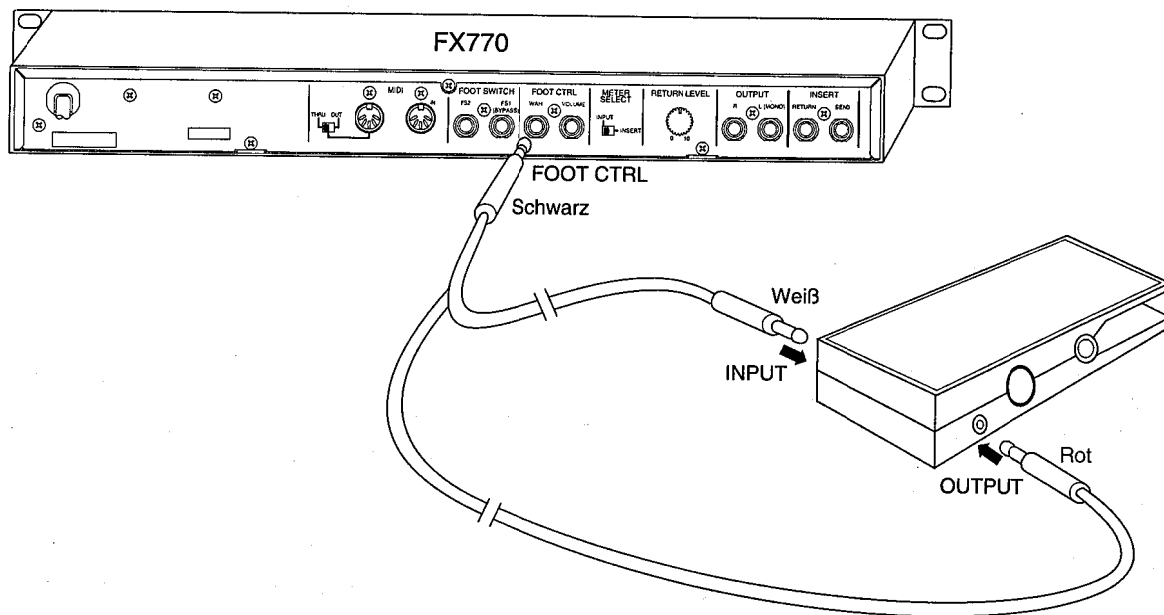
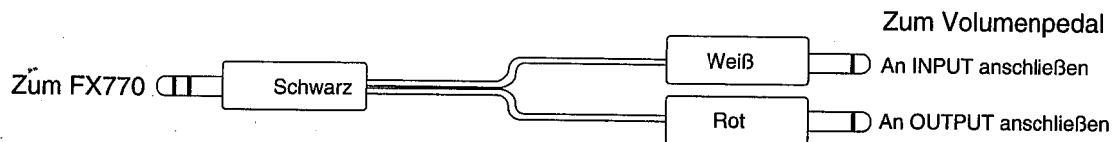


- ⑭ **MIDI Out/Thru Schalter**
Mit diesem Schalter weisen Sie der MIDI OUT/THRU Buchse eine der beiden Funktionen zu.
- ⑮ **MIDI OUT/THRU Buchse**
Diese Buchse kann für zwei Dinge verwendet werden: zum Weiterleiten der empfangenen MIDI-Daten (Thru) oder zum Senden der Daten des FX770 zu einem Sequenzer oder Datenrecorder (Out). Die Funktion dieser Buchse richtet sich nach der Einstellung des OUT/THRU Schalters.
- ⑯ **MIDI IN Buchse**
An diese Buchse können Sie zum Beispiel einen MIDI Foot Controller oder einen Sequenzer anschließen, dessen Befehle das FX770 ausführen soll. An diese Buchse müssen Sie also die MIDI-Befehle für das FX770 anlegen.
- ⑰ **FS2 FOOTSWITCH Anschluß**
Mit einem an diese Buchse angeschlossenen Fußtaster können Sie entweder die Bänke oder Programme des FX770 anwählen oder bestimmte Effekte ansteuern. Am besten verwenden Sie hierfür einen FC5 Fußtaster von Yamaha.
- ⑱ **FS1 (BYPASS) FOOTSWITCH Anschluß**
Ein an diese Buchse angeschlossener Fußtaster kann einerseits zum Hin- und Herschalten zwischen dem Bypass- und dem Tuner-Betrieb und andererseits als Effektschalter verwendet werden. Am besten gebrauchen Sie hierfür einen FC5 Fußtaster von Yamaha.
- ⑲ **WAH FOOT CTRL Anschluß**
Wenn Sie an diese Buchse einen optionalen FC7* Fußschweller von Yamaha anschließen, fungiert dieser Schweller als WahWah-Pedal.
- ⑳ **VOLUME FOOT CTRL Anschluß**
Wenn Sie an diese Buchse einen optionalen FC7* Fußschweller von Yamaha anschließen, fungiert dieser Schweller als Volumenpedal.
- ㉑ **METER SELECT Schalter**
Mit diesem Schalter wählen Sie die Funktion der frontseitigen SIGNAL und PEAK Diode. Beide Dioden dienen nämlich entweder zur Überwachung des Eingangspiegels oder des an die INSERT RETURN Buchse angelegten Pegels.
- ㉒ **RETURN LEVEL Regler**
Dieser Regler dient zum Einstellen des Pegels für den Effektrückweg. Befolgen Sie auch hier die unter "3 INPUT LEVEL Regler" erwähnten Hinweise.
- ㉓ **OUTPUT Buchsen**
An diesen Buchsen liegt das Ausgangssignal des FX770 an, also sowohl das "trockene" Gitarrensignal (sofern gewünscht) als auch das Effektsignal. Die Lautstärke des Ausgangssignals können Sie mit dem frontseitigen OUTPUT LEVEL Regler einstellen.
- ㉔ **INSERT RETURN Buchse**
Wenn Sie die Insert Loop Funktion einsetzen, liegt hier das Ausgangssignal des externen Effektgerätes an, das Sie in den Signalweg einschleifen.
- ㉕ **INSERT SEND Buchse**
An dieser Buchse liegt das Signal an, das zu dem externen Effektgerät geschickt werden muß.

* Sie brauchen nicht unbedingt einen FC7 Fußschweller von Yamaha zu verwenden. Mit einem optionalen (5 m langen) YIC050 E/A-Kabel können Sie nämlich auch gängige Gitarrenvolumenpedale zum Ansteuern des WahWah-Effekte oder zum Regeln der Lautstärke verwenden. Diese Lösung ist wahrscheinlich praktischer, wenn Sie beim Spielen lieber stehen (also für Live-Zwecke). Siehe die Abbildung auf der nächsten Seite.

Kapitel 1: Funktionen und Möglichkeiten des FX770

Yamaha bietet drei Einschleifkabel an: ein 2,5m langes (YIC025), ein 5m langes (YIC050) und ein 7m langes (YIC070).



Kapitel 2: Schnellkurs

In diesem Kapitel stellen wir Ihnen alle Grundfunktionen und -Parameter des FX770 vor. Damit auch noch Zeit zum Spielen und Antesten bleibt, erwähnen wir hier nur das Nötigste. Im "Schnellkurs" finden Sie folgende Dinge:

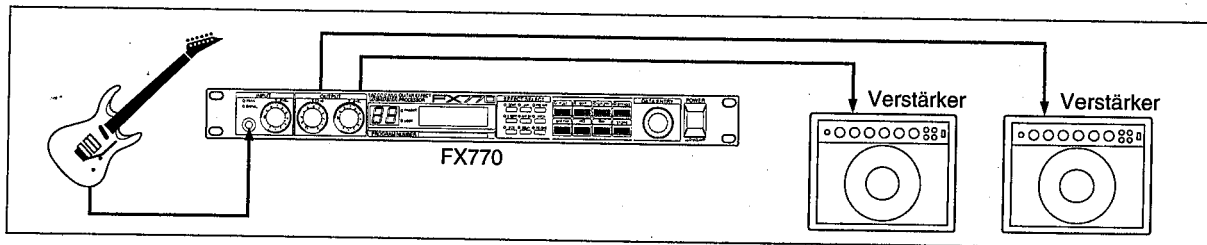
- **Anwendungsbereich und Anschlüsse**
- **Die drei Betriebsarten des FX770 (Play, Edit und Utility)**
- **Programmstruktur**
 - Anwahl von Preset-Programmen*
 - Anwahl von User-Programmen*
- **Ändern der Preset-Programme**
 - Editieren und Speichern eines neuen Effektprogramms*
- **Einsatz des eingebauten Stimmgerätes (Tuner)**
- **Tips für Tüftler**
 - Einsatz externer Fußtaster und Schweller*
 - MIDI-Steuerung*
 - Lautstärke*

Nähere Einzelheiten hierzu finden Sie weiter unten.

2.1 Einsatzbereich

Das FX770 kann auf verschiedene Arten verwendet werden: zum Üben, für Konzerte, im Home Recording-Bereich, aber auch in professionellen Tonstudios. Die Anschlüsse richten sich natürlich nach dem Einsatz des FX770.

• Konzerte mit Combo-Verstärkern

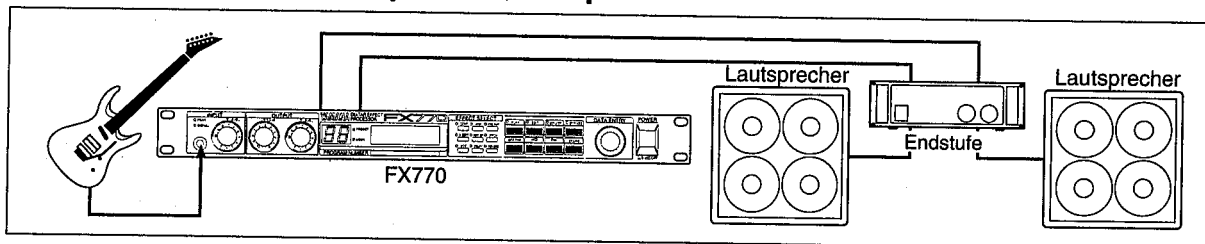


Technischer Hinweis:

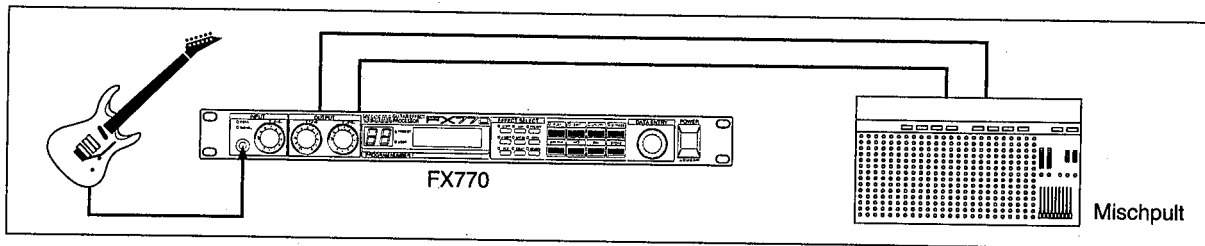
Wenn Sie das FX770 an einen Combo-Verstärker anschließen, sollten Sie folgendes einmal ausprobieren, um den schönsten Sound zu erzielen. Da die meisten Combo-Verstärker sowohl mit einem Vor- als auch mit einem Leistungsverstärker ausgerüstet sind, sollte sich Ihr Hauptaugenmerk auf die Klangreinheit richten, damit die Klangqualität des FX770 nicht unnötig beeinträchtigt wird.

1. Wenn der Combo-Verstärker eine Effektschleife (Effect Loop) bietet, sollten Sie die Stereo-Ausgänge des FX770 mit den Effektrückwegen des Verstärkers verbinden. Wenn möglich, sollten Sie den Rückweg hinter den Vorverstärker legen, so daß der Combo-Verstärker nur noch als Endstufe fungiert.
2. Wenn der Combo-Verstärker keine Effektschleife bietet, müssen Sie den Vorverstärker so einstellen, daß das Signal so wie wenig möglich beeinträchtigt wird. Außerdem sollte die Klangregelung den Sound nicht beeinflussen.

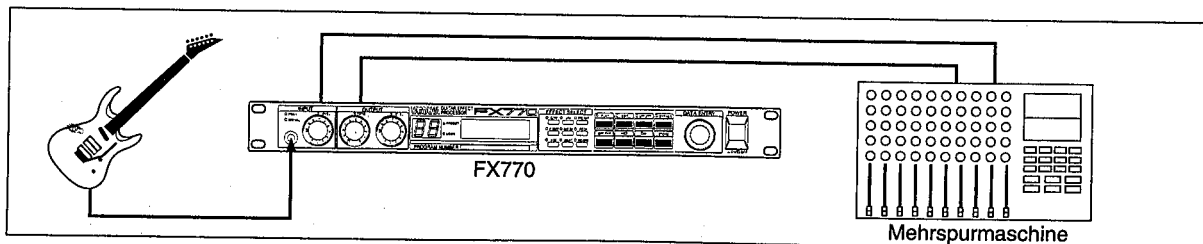
• Live-Einsatz mit einer Endstufe und passenden Lautsprechern



• Live-Einsatz mit Direktanschluß an das Pult



• Aufnahme mit Line-Anschluß (DI Direct)



2.2 Die drei Betriebsarten des FX770

Das FX770 bietet drei BETRIEBSARTEN, die sich jeweils auf einen bestimmten Aspekt beziehen. Daher ist es wichtig, daß Sie wissen, wie man die Betriebsarten anwählt und wozu sie dienen. Schauen wir uns also schnell einmal an, was Sache ist. Nähere Hinweise entnehmen Sie bitte der Funktionsbeschreibung in dieser Bedienungsanleitung.

• Play-Betrieb

Der Play-Betrieb ist die "Gebrauchsbetriebsart" des FX770, in der Sie die Preset- und User-Programme anwählen und die zugeordneten Parameter per Fuß ansteuern können. Außerdem können Sie mit den **[EFFECT SELECT]** Tasten die einzelnen Effekte ein- und ausschalten. Den Play-Betrieb erreichen Sie, indem Sie die **[PLAY]** Taste drücken. Die dazugehörige Diode informiert Sie jeweils über den Status dieser Funktion.

Im Play-Betrieb haben Sie außerdem Zugriff auf die **Bypass** Funktion und den eingebauten **Tuner**. Diese Funktionen können Sie mit der **[BYPASS]** Taste anwählen. Wenn Sie im Play-Betrieb die **[BYPASS]** Taste drücken, wird automatisch das Stimmgerät aktiviert.

Weitere Einzelheiten zum Play-Betrieb und der **Bypass/Tuner**-Funktion entnehmen Sie bitte dem 3. Kapitel.

• Edit-Betrieb

Im Edit-Betrieb haben Sie Zugang zu allen Parametern des angewählten Effektprogramms. Außerdem können Sie hier folgende Dinge einstellen: **Patch-Anwahl**, **Noise Gate**, **Title Edit**, **Volume Position**, **FS1-Zuordnung**, **Controller 1&2-Zuordnung** und **Effect Copy**. Den Edit-Betrieb aktivieren Sie, indem Sie die Taste **[EDIT]** drücken. Auch dieser Taste ist eine Diode zugeordnet.

Im Edit-Betrieb können Sie die benötigten **Effektblöcke** aktivieren und deren Parameter einstellen. In dieser Betriebsart dient die **[BYPASS]** Taste zum Ein- und Ausschalten der Effekte.

Wenn Ihnen die abgewandelte Fassung gefällt, sollten Sie das Effektprogramm speichern, indem Sie die **[STORE]** Taste drücken. Sind Sie nicht ganz überzeugt, können sie den Edit-Betrieb verlassen, indem Sie die Taste **[PLAY]** drücken. Nach dem Speichern kehrt das FX770 automatisch in den Play-Betrieb zurück.

Weitere Einzelheiten zum Edit-Betrieb entnehmen Sie bitte dem 4. Kapitel.

• Utility-Betrieb

Die dritte Betriebsart des FX770 enthält alle **MIDI-** und **Steuerfunktionen**. Hier können Sie also einstellen, wie das FX770 sich verhalten soll, wenn Sie einen Fußtaster oder -Schweller verwenden bzw. wenn es MIDI-Befehle empfängt. Außerdem bietet der **Utility**-Betrieb mehrere Funktionen, mit denen Sie die Einstellungen extern (via MIDI) speichern können. Wie nicht anders zu erwarten, aktivieren Sie den Utility-Betrieb mit der **[UTILITY]** Taste, die auch wieder mit einer Diode ausgestattet ist.

Weitere Einzelheiten zum **Utility**-Betrieb entnehmen Sie bitte dem 5. Kapitel.

2.3 Programmeinteilung

Das FX770 enthält zwei Programmbänke: Preset und User. Durch Drücken der **[PLAY]** Taste im Play-Betrieb aktivieren Sie jeweils eine dieser beiden Bänke.

- **PreSet**

Der **PRESET**-Bereich enthält 100 vorprogrammierte Effektprogramme. Der Inhalt der Preset-Speicher kann nicht gelöscht werden. Sie können die Preset-Programme jedoch ändern und dann in einem **USER**-Bereich unterbringen. Eine Übersicht der vorhandenen Preset-Programme finden Sie in Kapitel 7.2. Wie man editiert und speichert, erfahren Sie im 4. Kapitel.

- **USER**

Der **USER**-Bereich bietet ebenfalls 100 Speicher, in denen Sie Ihre eigenen Programme ablegen können. Sie können sowohl Preset- als auch User-Programme editieren. Speichern lassen sich diese Änderungen jedoch nur im User-Bereich.

Anwahl der Effektprogramme:

1. Drücken Sie die **[PLAY]** Taste, um den Play-Betrieb zu aktivieren.
2. Drücken Sie noch einmal die **[PLAY]** Taste, um die Preset-Bank anzuwählen. Die PROGRAM NUMBER Diode informiert Sie jeweils über den angewählten Speicherbereich.
3. Verwenden Sie jetzt den **[DATA ENTRY]** Regler, um das nächste (nach rechts drehen) oder vorige (nach links drehen) Programm aufzurufen. Die Programmnummern des Preset- und User-Speichers bewegen sich im Bereich 0~99.

2.4 Preset-Programme abwandeln (kurz und schmerzlos)

Wenn das FX770 erst einmal richtig angeschlossen ist, möchten Sie wahrscheinlich sofort die Preset-Programme antesten. Dabei kann es vorkommen, daß Ihnen ein Effektprogramm zwar im Ansatz gefällt, daß aber bestimmte Aspekte nicht ganz Ihren Vorstellungen entsprechen. Also müssen Sie das Effektprogramm ändern – der Fachmann sagt “editieren”. Nun wissen Sie auch schon, daß Sie dafür den **Edit**-Betrieb anwählen müssen. Nachstehend erklären wir Ihnen, wie man ein Effektprogramm editiert:

1. Wählen Sie den **Edit**-Betrieb an, indem Sie die **[EDIT]** Taste einmal drücken.
2. Drücken Sie die den gewünschten Effekten zugeordneten **[EFFECT SELECT]** Tasten.
3. Wenn Sie einen anderen **Effekttyp** brauchen, drücken Sie die **[EFF TYP]** Taste, nachdem Sie den betreffenden Effektblock zugeschaltet haben (siehe 2.).
4. Drücken Sie noch einmal die betreffende **[EFFECT SELECT]** Taste, um die nächste Display-Seite aufzurufen.
5. Anschließend müssen Sie den Cursor mit den Tasten **[◀]** und **[▶]** zu dem Parameter führen, dessen Wert Sie ändern möchten. Für die Wertänderung verwenden Sie bitte den **[DATA ENTRY]** Regler.
6. Wenn Sie die Einstellung des **Noise Gate** ändern möchten, müssen Sie die Taste **[EDIT]** zwei (2) Mal drücken, um den Parameter **Noise Gate Level** aufzurufen. Auch diesen Wert müssen Sie mit dem **[DATA ENTRY]** Regler ändern.

Nun wissen Sie bereits, wie man "kurz und schmerzlos" editiert. Das erwähnen wir hier bereits, damit Sie auch gleich wissen, wie man die Programme abändert. Wenn Sie den **Edit**-Betrieb wieder verlassen möchten, drücken Sie die **[PLAY]** Taste. Hören Sie sich auch die anderen Preset-Programme an oder **SPEICHERN** Sie erst einmal Ihre Änderungen. Siehe "Kapitel 4: Der Edit-Betrieb" und "4.9 Speichern" für weitere Einzelheiten über das Editieren und Speichern von Effektprogrammen.

2.4.1 Speichern der editierten Programmfassung

Editierete Preset-Programme können Sie im User-Bereich speichern. Hier erfahren Sie, wie man ein editiertes Programm speichert:

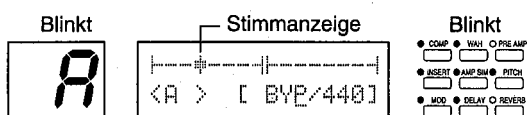
1. Ändern Sie zuerst den Namen des Programms (siehe "4.3 Title Edit").
2. Verlassen Sie den **Edit**-Betrieb noch nicht, sondern drücken Sie einmal die **[STORE]** Taste.
3. Wählen Sie den Speicher, in dem Sie die editierte Fassung unterbringen möchten, mit dem **[DATA ENTRY]** Regler. Die Nummer dieses Programms blinkt nun in der LED-Anzeige und das LCD-Display zeigt die gewählte Speichernummer ebenfalls an.
4. Sind Sie einverstanden mit dieser Programmnummer, können Sie die **[STORE]** Taste noch einmal betätigen. Das LCD-Display zeigt nun die Meldung "PROGRAM STORE" an, um diesen Befehl zu bestätigen.

Anschließend kehrt das FX770 in den **Play**-Betrieb zurück. Sie brauchen den Edit-Betrieb also nicht eigenhändig zu verlassen. Nähere Einzelheiten zum **Speichern** und **Editieren** der Programme entnehmen Sie bitte dem 4. Kapitel.

2.5 Einsatz des eingebauten Stimmgerätes (Schnellverfahren)

Das FX770 ist ausgerüstet mit einem chromatischen Stimmgerät (**TUNER**), das Sie im **Bypass**-Betrieb aktivieren können. Im **Bypass**-Betrieb können Sie das Gitarrensinal entweder ohne Effekte ausgeben oder die Signalabgabe unterbinden, so daß Sie Ihr Instrument auch während eines Konzertes stimmen können. Dies richtet sich nach der Einstellung der **Bypass**-Funktion. Siehe Kapitel 3.1 in dieser Bedienungsanleitung.

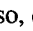
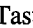

1. Das **Stimmgerät** kann nur im **Play**-Betrieb eingesetzt werden. Drücken Sie also erforderlichenfalls die **[PLAY]** Taste, um diesen Modus anzuwählen.
2. Drücken Sie die **[BYPASS]** Taste, um die **BYPASS** und **TUNER** Funktion einzuschalten.
3. Schlagen Sie eine Saite an. Nun erscheint die Stimmanzeige im Display. Außerdem blinken die Dioden der **EFFECT SELECT** Tasten. Der Name der Note erscheint hingegen in der LED-Anzeige.



Beispiel Hier wurde die A-Saite angeschlagen. Sie ist ein wenig zu tief.



Beispiel Hier ist die A-Seite etwas zu hoch gestimmt

4. Stimmen Sie die Saite so, daß sich das  Symbol in der oberen Display-Zeile in ein  verwandelt und bis die **[EFFECT SELECT]**-Tasten folgende Figur ergeben: .



5. Wiederholen Sie den 3. und 4. Schritt, wenn Sie auch die anderen Saiten stimmen möchten.

Hinweis: Siehe Kapitel 3.1, wenn Sie mehr Infos brauchen über die **Tuner**- und **Bypass**-Funktion.

2.6 Tips für Anspruchsvolle

In diesem Kapitel wollen wir Ihnen zeigen, wie Sie wirklich alles aus Ihrem FX770 herausholen. Hierbei handelt es sich ausschließlich um einen Überblick. Weiter unten zeigen wir Ihnen dann, wie man die betreffenden Funktionen programmiert.

2.6.1 Fußtaster und -schweller

Als Gitarrist hat man in der Regel alle Hände voll zu tun. Vielleicht wünschten Sie auch ab und zu, die Natur hätte Ihnen noch eine dritte Hand gegeben. Aber Sie haben ja noch zwei gesunde Füße, für die das FX770 auch noch genügend Arbeit hat. Die wichtigsten Parameter können in Echtzeit eingestellt werden – und zwar per Fuß (mit Fußrastern und -schweller). Deshalb wollen wir Ihnen hier ein paar Hinweise geben, damit Ihre Füße nicht tatenlos zusehen müssen! Weitere Einzelheiten entnehmen Sie bitte Kapitel 6.

1. Schließen Sie einen FC7 Schweller von Yamaha oder ein Volumenpedal(*) an die **VOLUME** Buchse an, wenn Sie die Lautstärke des FX770 per Fuß regeln möchten. Sie können wahlweise die Lautstärke des a) Amp Simulators oder b) der Summe aller Effekte regeln.
2. Schließen Sie einen FC7 Schweller von Yamaha oder ein Volumenpedal(*) an die **WAH** Buchse an, wenn Sie ein WahWah-Pedal brauchen. Die **Wah**-Funktion kann a) vor dem Vorverstärker oder b) hinter dem Vorverstärker eingeschleift werden.
3. Schließen Sie ein optionales FC5 Pedal an die **FS1** Buchse an, wenn Sie bestimmte Effekte per Fuß zu- und abschalten möchten oder wenn Sie den **Bypass**- und **Tuner**-Betrieb ein- und ausschalten möchten.
4. Wenn Sie einen optionalen FC5 Fußtaster an die **FS2** Buchse anschließen, können Sie die **Bänke**, die **Preset**- und **User-Programme** anwählen oder das Tempo des **Tempo Delay** bzw. des **Rotary/Tremolo Effektes** regeln. Siehe Kapitel 5.4.

* Wenn Sie ein normales Volumenpedal verwenden möchten, brauchen Sie ein Einschleifkabel (siehe Seite 6).

2.6.2 MIDI-Steuerung

Sie können jeweils zwei Parameter des FX770 mit MIDI-Steuerbefehlen ändern. Außerdem können Sie die Programme des FX770 via MIDI speichern (die sogenannten "Bulk Dumps"). Hierfür brauchen Sie dann einen MIDI-Datenrecorder oder einen Sequenzer.

Weitere Einzelheiten hierzu entnehmen Sie bitte Kapitel 6.

2.6.3 Lautstärke der Effektblöcke

Seien Sie besonders vorsichtig beim Einstellen des Ausgangspegels der einzelnen Effektblöcke. Die Effekte Compressor, Preamp, Pitch, Mod, Delay und Reverb sind nämlich mit einem eigenen Lautstärkeparameter ausgestattet. Ist dieser Pegel zu hoch eingestellt, kann es zu "digitaler Verzerrung" kommen, die überhaupt nicht zu einem professionellen Gitarren-Sound paßt. Andererseits sollten Sie jedoch nicht übervorsichtig sein, damit Sie auch noch etwas hören. Die Level-Parameter der Effektblöcke sind eigentlich nur dazu gedacht, übertriebene Lautstärkeunterschiede auszubügeln, damit es zu keinen "Blackouts" oder Pegelsprüngen kommt. Der Gesamtpegel darf niemals höher sein als +6dB. In Kapitel 7.4 finden Sie sachdienliche Hinweise für die Einstellung der Pegelwerte.

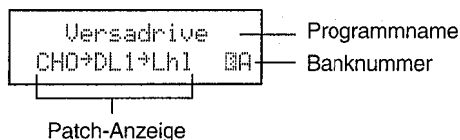
Kapitel 3: Play-Betrieb

Der Play-Betrieb ist für die Anwendung des FX770 gedacht. Hier können Sie die Preset- und User-Programme anwählen und die zugeordneten Parameter per Fuß ansteuern. Außerdem können Sie mit den [EFFECT SELECT] Tasten oder einem an die FS1 angeschlossenen Fußtaster die Effekte ein- und ausschalten. Den Play-Betrieb erreichen Sie, indem die [PLAY] Taste drücken. Die dazugehörige Diode informiert Sie jeweils über den Status dieser Funktion.

Im Play-Betrieb haben Sie außerdem Zugriff auf die Bypass Funktion und den eingebauten Tuner. Diese Funktionen können Sie mit der [BYPASS] Taste anwählen. Wenn Sie im Play-Betrieb die [BYPASS] Taste drücken, wird automatisch das Stimmgerät aktiviert. Die [PLAY] Taste dient außerdem zur Anwahl der Programmbereiche: betätigen Sie sie mehrmals, rufen Sie abwechselnd den Preset- und den User-Bereich auf. Die beiden Dioden rechts neben der LED-Anzeige (PRESET und USER) zeigen jeweils den gewählten Programmbereich an.

Hauptseite im Play-Betrieb

Die Hauptseite des Play-Betriebes enthält folgende Informationen:



Die Programmname bezieht sich natürlich auf das derzeit angewählte Programm. Bitte bedenken Sie, daß nur der Name von User-Programmen geändert werden kann. Siehe Kapitel 4.3, wenn Sie mehr über die Title Edit Funktion wissen möchten.

Die Patch-Anzeige informiert Sie über die Reihenfolge des MOD, DELAY und REVERB Blocks und entspricht immer einem der 4 verfügbaren Patch-Typen (Patch Select Edit-Betrieb). Nähere Einzelheiten entnehmen Sie bitte dem Kapitel 4.1.

Die Banknummer bezieht sich auf die angewählte MIDI-Programmwechsellabelle. In Kapitel 5.1 erfahren Sie, wie man die MIDI-Bänke einsetzt.

3.1 Programmanwahl

Sie können jedes beliebige User- und Preset-Programm aufrufen:

1. Drücken Sie die [PLAY] Taste, um den Play-Betrieb zu aktivieren. Die Diode der [PLAY] Taste leuchtet nun.
2. Drücken Sie noch einmal die [PLAY] Taste, um den gewünschten Programmbereich anzuwählen.
Dementsprechend leuchtet nun entweder die [PRESET] oder [USER] Diode rechts neben der PROGRAM NUMBER-Anzeige.
3. Wählen Sie anschließend mit dem [DATA ENTRY] Regler das gewünschte Programm an. Die PROGRAM NUMBER-Anzeige informiert Sie jeweils über das angewählte Programm. Außerdem erscheint der Name dieses Programme im LCD-Display.
Wenn Sie den [DATA ENTRY] Regler langsam drehen, durchlaufen Sie die Programme in kleinen Schritten. Drehen Sie den Regler hingegen sehr schnell, erreichen Sie viel schneller ein weiter entfernt liegendes Programm.

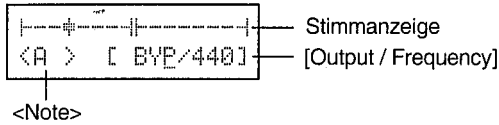
3.2 Ein- und Ausschalten der Effektblöcke

Drücken Sie eine [EFFECT SELECT] Taste, um den dazugehörigen Effekt ein- bzw. auszuschalten. Die Diode dieser Taste erlischt nun oder leuchtet auf.

3.3 Bypass- und Tuner-Funktion im Play-Betrieb

Das FX770 ist mit einem vollwertigen **Stimmgerät (Tuner)** ausgestattet, das abrufbereit ist, wenn Sie im **Play**-Betrieb die **Bypass**-Funktion aktivieren. Je nach der Einstellung der Output-Funktion wird das Signal dann entweder ohne Effekt ausgegeben oder das FX770 legt das Gitarrensignal an den Tuner an, wobei gleichzeitig die Signalausgabe des Gerätes unterbrochen wird.

Die Bypass- und Tuner-Seite enthält folgende Informationen:



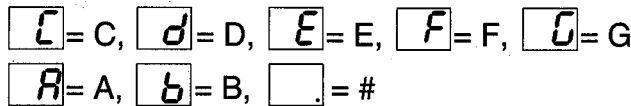
Wenn Sie eine Saite anschlagen (oder zupfen), erscheint ein \sharp Symbol in der **Tuner-Anzeige**. Befindet sich dieses Symbol links der Mitte, ist die Saite zu tief. Befindet sich das Symbol eher rechts im Display, ist die Saite zu hoch gestimmt. Sobald die Saite sauber gestimmt ist, erscheint ein $\sharp\sharp$ in der Mitte der oberen Display-Zeile.

Die Notenanzeige informiert Sie jeweils über die Note, die Sie gerade stimmen. Mitunter ist die Saite so falsch, daß hier ein anderer Notename erscheint.

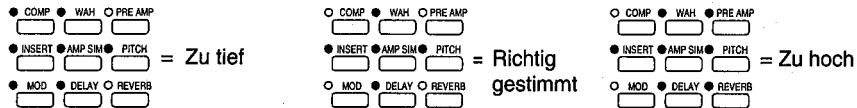
Mit dem **Output**-Parameter wählen Sie den Signalgabetypp im Bypass-Betrieb. Wählen Sie hier **MUTE**, so wird die Signalausgabe des FX770 unterbrochen, so daß Sie Ihre Gitarre auch während eines Konzertes (oder bei laufendem Band) stimmen können. Wenn Sie **BYP** wählen, wird das Sie trockene Gitarrensignalausgegeben (ohne Effekte also).

Mit dem **Frequenzparameter** wählen Sie die Frequenz des Kammertons (A). Der Einstellbereich dieses Parameters beträgt 438Hz~445Hz. Die **PROGRAM NUMBER**-Anzeige und die **EFFECT SELECT** Tasten helfen Ihnen beim Stimmen, damit Sie nicht jedesmal zu Ihrem FX770 zu rennen brauchen, um zu sehe, ob die Gitarre sauber gestimmt ist:

[PROGRAM NUMBER] LED



[EFFECT SELECT]



Befolgen Sie nachstehende Anweisungen zum Einstellen der Output-Anzeige und zur Verwendung des Stimmgerätes:

1. Das **Stimmgerät** können Sie nur vom **Play**-Betrieb aus erreichen. Am besten drücken Sie also die **[PLAY]** Taste, um sicherzugehen, daß diese Betriebsart angewählt ist.
2. Drücken Sie die **[BYPASS]** Taste, um sowohl die **Bypass**- als auch die **Tuner**-Funktion zu aktivieren.
3. Wählen Sie nun mit dem **[DATA ENTRY]** Regler den gewünschten Bypass-Betrieb (**BYP** oder **MUTE**).
4. Wenn Sie die **Stimmfrequenz** ändern möchten, müssen Sie den derzeitigen Wert mit der **[▶]** Taste anfahren und anschließend die gewünschte Frequenz mit dem **[DATA ENTRY]** Regler einstellen.
5. Schlagen Sie eine Saite Ihrer Gitarre an. Die Tuner-Anzeige leuchtet nun auf im **LCD**-Display und auch die Dioden der **EFFECT SELECT**-Tasten werden zum Leben erweckt. Schließlich erscheint auch der "Name" der Note im (Notenfeld).
6. Stimmen Sie die Saite so, daß sich das \sharp Symbol in der oberen Display-Zeile in ein $\sharp\sharp$ verwandelt und bis die **EFFECT SELECT**-Tasten folgende Figur ergeben: $\cdot \cdot \cdot$.



7. Wiederholen Sie die Schritte 5 und 6 für die übrigen Gitarrensaiten.

Kapitel 4: Der Edit-Betrieb

Im **Edit-Betrieb** haben Sie Zugriff auf alle Parameter des derzeit angewählten Effektprogramms. Weitere Funktionen, die in dieser Betriebsart eingestellt werden können, sind: **Patch Select**, **Noise Gate**, **Title Edit**, **Volume Position**, **FS1 Assignment**, **Controller 1&2** und **Effect Copy**. Selbstverständlich können die Parameterwerte gespeichert werden. Den Edit-Betrieb erreichen Sie, indem Sie die Taste **[EDIT]** drücken (die dazugehörige Diode leuchtet auf).

Editieren der Effektparameter

Im **Edit-Betrieb** haben Sie Zugang zu jedem einzelnen **Effektblock**, so daß Sie alle Parameter anwählen und editieren können. Mit der **[BYPASS]** Taste können Sie darüber hinaus die nicht benötigten Effekte ausschalten.

Einstellen er anderen Funktionen

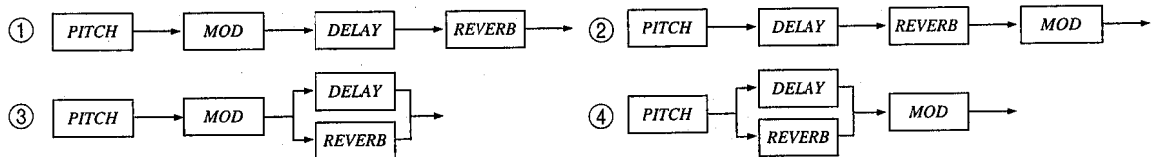
Wenn Sie die **[EDIT]** Taste drücken, können Sie auch folgende Funktionen editieren: **Patch Select**, **Noise Gate**, **Title Edit**, **Volume Position**, **FS1 Assignment**, **Controller 1&2 Assignment** und **Effect Copy**. Gefällt Ihnen Ihr Effektprogramm, müssen Sie es speichern, indem Sie die **[STORE]** Taste drücken. Sobald ein Programm gespeichert ist, kehrt das FX770 automatisch in den Play-Betrieb zurück. Wenn Sie die editierte Fassung lieber nicht speichern, drücken Sie **[PLAY]**, um den Edit-Betrieb wieder zu verlassen. Wenn Sie anschließend versuchen ein anderes Effektprogramm anzuwählen, erscheint nachstehende Meldung im Display. Drücken Sie dann noch einmal die **[PLAY]** Taste.

```
Press [STORE]
to save changes
```

4.1 Effect Patch-Anordnung (Patch Select)

Das FX770 bietet vier programmierbare Signalwege, die wir hier **PATCHES** nennen wollen. Die **PATCHES** bestimmen die Reihenfolge des **MOD**-, **DELAY**- und Effect-Blockes, so daß wirklich alle Kombinationen möglich sind. Jeder Patch hat eine Nummer **1~4** und bietet verschiedene Schaltkombinationen für die Effektblöcke (seriell oder parallel). Wenn Sie ein Programm aufrufen, daß denselben Patch verwendet wie das vorige, klingt der Delay-Effekt unverdrossen ab. Sehen wir uns jedoch zuerst einmal die vier Patches an:

Die vier Effekt-Patches heißen:



Die **Patch Select**-Seite enthält folgende Informationen:

```
PATCH SELECT
1 CHO+DL1+Lh1
```

Patch-Nummer Effektreihenfolge / Typ

Die **Patch-Nummer** bezieht sich auf den angewählten Patch (siehe oben).

Die **Effektreihenfolge** und der **Typ** beziehen sich auf die Reihenfolge und den Typ der verwendeten Effekte. →: seriell, +: parallel

Auf der ersten Seite des **Edit-Betriebes** können Sie den benötigten **Patch** anwählen. Diese Seite erreichen Sie, indem Sie mehrmals die Taste **[EDIT]** drücken. Stellen Sie die gewünschte Nummer anschließend mit dem **[DATA ENTRY]** Regler ein.

4.2 Noise Gate

Das FX770 ist mit einem benutzerfreundlichem **Noise Gate** ausgestattet, mit dem Sie das Rauschen Ihrer Gitarre oder extrem hoher Gain-Werte unterdrücken können. Der Grenzwert des **Noise Gates** wird jeweils mit den übrigen Parametern gespeichert, so daß er immer perfekt zu dem angewählten Programm paßt. Seien Sie vorsichtig beim Einstellen dieses Wertes, damit die Noten nicht vorzeitig ausgeschaltet werden.

Anwahl der Noise Gate-Funktion:

Drücken Sie die **[EDIT]** Taste, bis das Display die unten abgebildete Seite anzeigt. Der Wert **0 (Null)** bedeutet, daß das Gate ausgeschaltet ist, während **20 (zwanzig)** den höchsten Grenzwert vertritt.

```
NOISE GATE
LEVEL: 8
```

4.3 Title Edit

Mit der **Title Edit** Funktion können Sie Ihre eigenen Effektprogramme benennen, bevor Sie sie im **User-Bereich** speichern. Drücken Sie die Taste **[EDIT]**, bis nachstehende Display-Seite erscheint.

```
TITLE EDIT
Versadrive
```

Mit der **[◀]** und/oder **[▶]** Taste können Sie den Cursor zu dem Zeichen führen, das Sie ändern möchten und stellen wählen Sie ein anderes Zeichen mit dem **[DATA ENTRY]** Regler. Nachstehend sind die verfügbaren Zeichen aufgeführt. Der Programmname kann bis zu 16 Zeichen enthalten (inklusive Leerstellen).

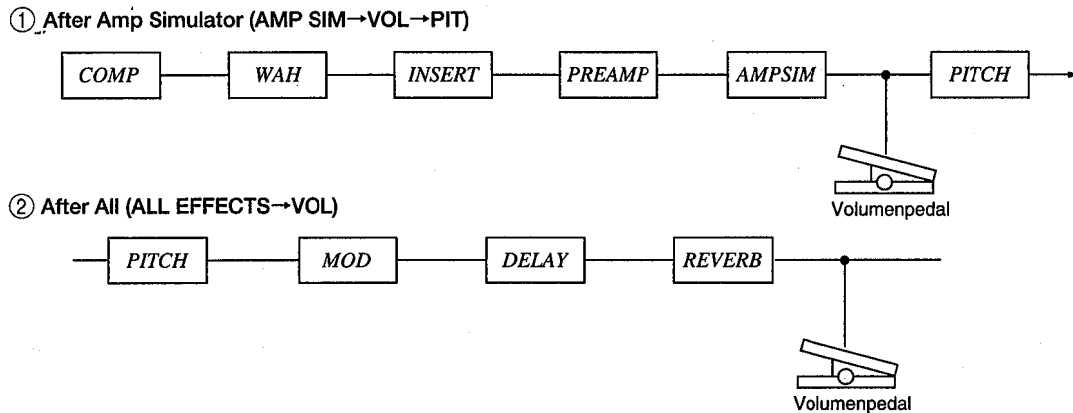
	A	B	C	D	E	F	G	H	I	J	K	L	M	N	O	P	Q	R	S
T	U	V	W	X	Y	Z		a	ä	b	c	d	e	f	g	h	i	j	k
l	m	n	o	ö	p	q	r	s	t	u	ü	v	w	x	y	z		ア	ア
イ	イ	ウ	ウ	エ	エ	オ	オ	カ	キ	ク	ケ	コ	サ	シ	ス	セ	ソ	タ	チ
ツ	テ	ト	ナ	ニ	ヌ	ネ	ノ	ハ	ヒ	フ	ヘ	ホ	マ	ミ	ム	メ	モ	ヤ	ヤ
ユ	ユ	ヨ	ヨ	ラ	リ	ル	レ	ロ	ワ	ヲ	ン	「	」	°	□	—		[]
<	>	:	.	*	+	-	=	&	/	,	.	'	%	!	?	→	←	#	
0	1	2	3	4	5	6	7	8	9										

Wenn Sie das Zeichen, unter dem der Cursor sich gerade befindet, löschen möchten, müssen Sie die **[◀]** Taste betätigen, während Sie die **[EFF TYPE]** Taste gedrückt halten.

Drücken Sie die **[▶]** Taste, während Sie die **[EFF TYPE]** Taste gedrückt halten, um vor der gegenwärtigen Zeichenposition eine Leerstelle einzufügen.

4.4 Volume Position (Lautstärkeposition)

Wenn Sie die **Lautstärke** des FX770 mit einem Fußschweller regeln, können Sie diese Funktionen an zwei Stellen einschleifen: **After Amp Simulator** (vorden Effekten) oder **After All** (hinter den Effekten). Bitte entnehmen Sie den genauen Einschleifpunkt nachstehenden Zeichnungen. Am besten verwenden Sie einen FC7 Foot Controller von Yamaha zum Regeln der Lautstärke. Sie könnten die Lautstärke jedoch auch mit MIDI-Steuerbefehle regeln.



Wenn Sie die **After Amp Simulator** Funktion wählen, können Sie den typischen “Schwell-Sound” erzielen, bei dem sowohl der Delay als auch der Hall natürlich ausklingen. Bei Anwahl der **After All** Funktion hingegen fungiert das Pedal als Hauptlautstärkereger.

Anwahl der Volume Position:

1. Drücken Sie die [EDIT] Taste, bis folgende Display-Seite angezeigt wird.

```
VOLUME POSITION
AMP SIM+VOL+PIT
```

2. Stellen Sie die gewünschte Position mit dem [DATA ENTRY] Regler ein.

```
VOLUME POSITION : Auf der obigen Display-Seite ① After Amp Simulator
AMP SIM+VOL+PIT
ALL EFFECTS+VOL : Auf der obigen Display-Seite ② After All
```

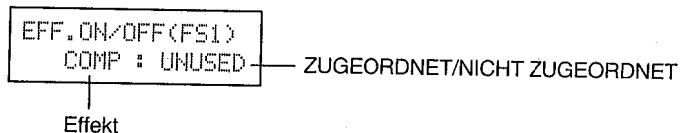
Außerdem können Sie den Mindestwert des Schwellers programmieren. Siehe Kapitel 5.2.

* Wenn Sie lieber Ihr vertrautes Volumenpedal verwenden, müssen Sie es mit einem Einschleifkabel von Yamaha anschließen. (Siehe Seite 6.)

4.5 Effect On/Off (FS1)

Wenn die FS1-Funktion zum Ein- und Ausschalten eines Effektblockes dient, können Sie auf der fünften Display-Seite des Edit-Betriebes den Effektblock anwählen, der ein- und ausgeschaltet wird. Diese Funktion eignet sich besonders zum Zu- und Abschalten eines bestimmten Effektes während des Solos oder schlicht zum Ausschalten des Effektes, den Sie gerade nicht brauchen. Sie können die FS1-Funktion jedem beliebigen Effektblock eines User-Programms zuordnen. Vergessen Sie nicht, für FS1 die Effect ON/OFF-Funktion zu wählen (Utility-Betrieb), damit dies auch funktioniert. Ist das nicht der Fall, dann blinkt die FS1 Meldung im Display.

Die **EFF. ON/OFF (FS1)** Display-Seite enthält folgende Informationen:



Effekt bezieht sich auf den Effektblock, den Sie per Fuß zu- und abschalten können.

USED oder UNUSED bedeutet, daß der betreffende Effektblock auch ein- oder ausgeschaltet wird, wenn Sie den an FS1 angeschlossenen Fußtaster betätigen.

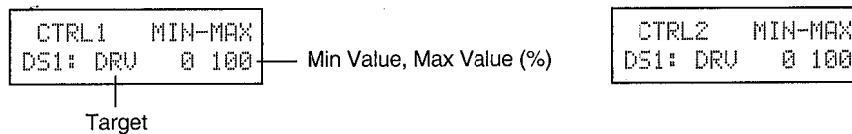
FS1 einem Effektblock zuordnen:

1. Drücken Sie die **[EDIT]** Taste, bis die oben abgebildete Display-Seite erscheint.
2. Führen Sie den Cursor zum Namen des Effektblockes und wählen Sie mit dem **[DATA ENTRY]** Regler einen anderen **Effektblock** an.
3. Führen Sie den Cursor anschließend mit **[▶]** zu dem **Used/Unused** Parameter und stellen Sie mit dem **[DATA ENTRY]** Regler entweder Used oder Unused ein.
4. Wiederholen Sie den 2. und 3. Schritt für alle Blöcke, die Sie mit dem **FS1** ansteuern möchten.

4.6 CTRL 1 & 2 und die Effekte

Die sechste und siebte Seite des **Edit**-Betriebes dienen zur Anwahl der Parameters, die mit den MIDI-Steuerbefehlen in Echtzeit geändert werden können. Im Grunde haben CTRL 1 und CTRL 2 dieselbe Funktion, nur können Sie sich eben auf zwei verschiedene Parameter beziehen. Außerdem können Sie nicht nur die Parameter anwählen, sondern außerdem den Mindest- und Höchstwert des Steuerbefehles einstellen.

Die **CTRL1** und **CTRL2** Display-Seite enthalten folgende Informationen:



Der Parameter bezieht sich natürlich auf den **Effektparameter**, den Sie ansteuern können. Sie können aber auch "Off" (aus) wählen.

Bitte beachten Sie, daß die MIDI-Steuerbefehle nicht funktionieren, solange diese Seite angezeigt wird.

Der **Min.-Wert** bezieht sich auf den Mindestwert, den Sie mit dem Steuerbefehl einstellen können. (%)

Der **Max.-Wert** bezieht sich auf den Höchstwert, den Sie mit dem Steuerbefehl einstellen können. (%)

Funktionszuordnung für CTRL1 und CTRL2:

1. Drücken Sie die **[EDIT]** Taste, bis obige Display-Seite angezeigt wird. (CTRL1 befindet sich auf der sechsten Seite des Edit-Betriebes)
2. Führen Sie den Cursor zum Parameter und wählen Sie mit dem **[DATA ENTRY]** Regler den Parameter, den Sie diesem Steuerbefehl zuordnen möchten.
3. Führen Sie den Cursor anschließend mit der Taste **[▶]** zum Mindestwert und stellen Sie mit dem **[DATA ENTRY]** Regler den gewünschten Mindestwert ein.
4. Führen Sie den Cursor mit **[▶]** zum Höchstwert und stellen Sie auch hier mit dem **[DATA ENTRY]** Regler den gewünschten Wert ein.
5. Drücken Sie noch einmal die **[EDIT]** Taste, um die **CTRL2**-Seite aufzurufen. (CTRL2 befindet sich auf der siebten Seite des Edit-Betriebes)
6. Wie Sie den Parameter anwählen und den Mindest- bzw. Höchstwert einstellen, wissen Sie bereits.

Folgende Parameter können mit MIDI-Steuerbefehlen angesteuert werden:

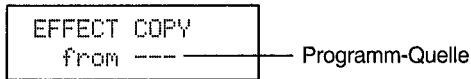
VOLUME	DS2: MID	OD2: FIL	SPI: WID	FLG: WID	PAN: TRG	DL1: HF	TD1: HF	MTD: PAN2	Lht: RVT
CO1: ATK	DS2: TRB	CRN: DRV	SPI: MIX	FLG: MIX	PAN: DIR	DL2: DLYL	TD2: TEMP	MTD: VOL2	Lht: HF
CO1: SUS	DS2: PRS	CRN: MVL	SPI: LVL	FLG: LVL	PAN: LFO	DL2: DLYR	TD2: NOTL	MTD: DLY3	Lht: IDLY
CO1: LVL	DS2: FIL	CRN: BAS	SPI: DLY	FLG: LFO	PAN: FIL	DL2: FBD	TD2: NOTR	MTD: PAN3	Lht: MIX
CO2: ATK	DS3: DRV	CRN: MID	SPI: FIL	FLG: FIL	TRM: TEMP	DL2: FB	TD2: NOTF	MTD: VOL3	Lht: LVL
CO2: SUS	DS3: MVL	CRN: TRB	SPI: KEY	SYM: SPD	TRM: NOTE	DL2: MIX	TD2: FB	MTD: DLY4	Lht: GATE
CO2: LVL	DS3: BAS	CRN: PRS	PCH: DEP	SYM: DEP	TRM: DEP	DL2: LVL	TD2: MIX	MTD: PAN4	Mrm: RVT
LIM: ATK	DS3: MID	CRN: FIL	PCH: MIX	SYM: WID	TRM: MIX	DL2: L/R	TD2: LVL	MTD: VOL4	Mrm: HF
LIM: SUS	DS3: TRB	CLN: MVL	PCH: LVL	SYM: MIX	TRM: LVL	DL2: HF	TD2: TRG	MTD: DLY5	Mrm: IDLY
LIM: LVL	DS3: PRS	CLN: BAS	PCH: DLY	SYM: LVL	TRM: TRG	MDL: DLY	TD2: L/R	MTD: PAN5	Mrm: MIX
WA1: POS	DS3: FIL	CLN: MID	PCH: FIL	SYM: DLY	TRM: LFO	MDL: FB	TD2: HF	MTD: VOL5	Mrm: LVL
WA2: POS	OD1: DRV	CLN: TRB	CHO: SPD	SYM: FIL	TRM: FIL	MDL: SPD	TD2: TEMP	MTD: DLY6	Mrm: GATE
WA3: RES	OD1: MVL	CLN: PRS	CHO: PMD	ROT: MODE	RES: SEN	MDL: DEP	TMD: NOTE	MTD: PAN6	Srm: RVT
WA3: POS	OD1: BAS	CLN: FIL	CHO: AMD	ROT: MIX	RES: RES	MDL: MIX	TMD: FB	MTD: VOL6	Srm: HF
DS1: DRV	OD1: MID	INS: PNT	CHO: WID	ROT: LVL	RES: MODE	MDL: LVL	TMD: SPD	MTD: MIX	Srm: IDLY
DS1: MVL	OD1: TRB	AMP: CHR	CHO: MIX	ROT: SLOW	RES: MIX	MDL: HF	TMD: DEP	MTD: LVL	Srm: MIX
DS1: BAS	OD1: PRS	AMP: DEP	CHO: LVL	ROT: FAST	RES: LVL	TD1: TEMP	TMD: MIX	DUC: DLY	Srm: LVL
DS1: MID	OD1: FIL	AMP: DI	CHO: DLY	ROT: RATE	RES: FIL	TD1: NOTE	TMD: LVL	DUC: FB	Srm: GATE
DS1: TRB	OD2: DRV	SPI: PCL	CHO: LFO	ROT: FIL	DL1: DLY	TD1: FB	TMD: TRG	DUC: THR	Spr: RVT
DS1: PRS	OD2: MVL	SPI: PFL	CHO: FIL	PAN: TEMP	DL1: FB	TD1: MIX	TMD: HF	DUC: MIX	Spr: HF
DS1: FIL	OD2: BAS	SPI: VoL	FLG: SPD	PAN: NOTE	TD1: LVL	TD1: LVL	MTD: DLY1	DUC: LVL	Spr: IDLY
DS2: DRV	OD2: MID	SPI: PCR	FLG: DEP	PAN: DEP	DL1: LVL	TD1: TRG	MTD: PAN1	DUC: DEF	Spr: MIX
DS2: MVL	OD2: TRB	SPI: PFR	FLG: DLY	PAN: MIX	DL1: DEF	TD1: DEF	MTD: VOL1	DUC: L/R	Spr: LVL
DS2: BAS	OD2: PRS	SPI: VoIR	FLG: FB	PAN: LVL	DL1: L/R	TD1: L/R	MTD: DLY2	DUC: HF	Spr: GATE

4.7 Effect Copy

Dies ist ohne Zweifel eine der praktischsten Funktionen des FX770. Denn wenn Sie erst einmal begriffen haben, wie man Effekte kopiert, gebrauchen Sie nur noch diese Funktion!

Oftmals kommt es vor, daß Sie nach langwieriger Arbeit endlich beschließen das Programm zu speichern und dieses Programm dann auch teilweise als Basis für weitere Programme verwenden möchten (z.B. dieselben Preamp Werte, aber andere Effekte). Statt dann alles noch einmal zu programmieren, können Sie diese Einstellung kurzerhand kopieren (**Effect Copy**) und also viel Zeit sparen. Einfach, praktisch, gut!

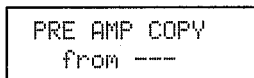
Die Effect Copy Seite enthält folgende Informationen:



Mit der "**Programm-Quelle**" wählen Sie das Programm, dessen Parameter kopiert werden sollen.

Einsatz der Effect Copy Funktion

1. Drücken Sie die **[EDIT]** Taste, bis obige Display-Seite angezeigt wird. Alle **[EFFECT SELECT]** Dioden blinken nun.
2. Drücken Sie die **[EFFECT SELECT]** Taste des Effektes, den Sie kopieren möchten. Jetzt blinkt nur noch die Diode der soeben gedrückten **[EFFECT SELECT]** Taste.
(im folgende Beispiel haben wir z.B. die **PREAMP** Taste betätigt)



3. Drehen Sie anschließend am **[DATA ENTRY]** Regler, bis die Nummer des Programms erscheint, dessen Effektparameter Sie kopieren möchten. Wenn Sie jetzt auf der Gitarre spielen, hören Sie dieses Programm.
4. Drücken Sie dieselbe **[EFFECT SELECT]** Taste noch einmal, um die angewählten Effektparameter zu kopieren.
5. Wiederholen Sie den 2., 3. und 4. Schritt, wenn Sie noch andere Effektparameter kopieren möchten

Drücken Sie schließlich die **[PLAY]**, **[EDIT]** oder **[UTILITY]** Taste, um diese Display-Seite wieder zu verlassen.

4.8 Editieren der Effektparameter

Jetzt geht die Arbeit richtig los, denn die neun Effektblöcke des FX770 müssen ja noch eingestellt werden. In diesem Kapitel erfahren Sie, wie man...

- ... die Effektblöcke anwählt
- ... einen anderen Effekttyp aufruft
- ... die einzelnen Effektparameterseiten und -werte anwählt

Die hier gegebenen Bedienungshinweise beziehen sich auf alle Effektblöcke. Siehe Kapitel 7.1 bis 7.1.9, wenn Sie mehr Informationen brauchen über die verfügbaren Effektparameter. Im **Edit-Betrieb** können Sie jederzeit den gewünschten Effektblock aktivieren. Beachten Sie jedoch, daß Sie jeweils nur einen Effektblock editieren können. Es ist also nicht möglich, mehrere Effektblöcke gleichzeitig zu bearbeiten – immer schön der Reihe nach.

Anwahl des zu editierenden Effektblocks

1. Drücken Sie die **[EDIT]** Taste, um den Edit-Betrieb anzuwählen.
2. Nun können Sie auf jeder beliebigen Display-Seite des Edit-Betriebes die **[EFFECT SELECT]** Taste des gewünschten **Effektblocks** drücken.
3. Sie befinden sich nun im **Effekteditierbetrieb**, in dem Sie die Effektparameter einstellen oder die eingestellten Werte ganz einfach überprüfen können.

Anderen Effekttyp anwählen

1. Wählen Sie zuerst den Effektblock an, dem Sie einen anderen Effekttyp zuordnen möchten.
2. Drücken Sie auf jeder beliebigen Seite des **Effekteditierbetriebes** die Taste **[EFF TYP]**, bis der gewünschte **Effekttyp** angezeigt wird (dieser Name erscheint linksoben im Display).
3. Anschließend können Sie dann die Parameter dieses Effektes editieren.

Durchforsten der Effektseiten und Parameterwerte

1. Drücken Sie die **[EDIT]** Taste, um den **Edit-Betrieb** anzuwählen, falls sich das FX770 nicht bereits in diesem Modus befindet.
2. Drücken Sie nun die **[EFFECT SELECT]** Taste des **Effektblockes**, den Sie editieren möchten. Sie befinden sich und im **Effekteditierbetrieb**.
3. Wenn Sie diese **[EFFECT SELECT]** Taste mehrmals drücken, rufen Sie alle **Display-Seiten** des angewählten **Effektblocks** auf. Außerdem können Sie die Kursortasten **[◀]** und **[▶]** drücken, um jeweils den nächsten oder vorigen Parameter anzufahren.

Bypass-Funktion im Edit-Betrieb

Das Editieren geht oftmals viel schneller vonstatten, wenn man sich auf bestimmte Klangaspekte konzentrieren kann. Mithin ist es ratsam, den einen oder anderen Effektblock zeitweilig auszuschalten. Das tun Sie mit der **[BYPASS]** Taste. Außerdem können Sie mit dieser Taste Effekte aktivieren, die im angewählten Programm eigentlich ausgeschaltet sind. Erst dann können Sie den betreffenden Effekt nämlich editieren.

Effektblöcke beim Editieren zu- oder abschalten

1. Wenn der Effekt **eingeschaltet** ist, können Sie ihn mit der **[BYPASS]** taste **ausschalten**. Die grüne Diode blinkt dann (wobei die "Auszeit" länger ist als die "Anzeit"), um Sie darauf hinzuweisen, daß der betreffende Block nicht mehr aktiv ist.
2. Wenn der Effekt **ausgeschaltet** ist, können Sie ihn mit der **[BYPASS]** taste **zuschalten**. Auch hier blinkt die grüne Diode dann wieder (diesmal bleibt Sie allerdings länger an als aus), um Sie darauf hinzuweisen, daß der Effekt eingeschaltet ist.

4.9 Speichern

Im Store-Betrieb können Sie Ihre editierten Fassungen speichern, bzw. ein Programm unverändert in einem anderen Speicher unterbringen. Merken Sie sich, daß Sie den Store-Betrieb jederzeit verlassen können, indem Sie die [EFFECT SELECT], [PLAY], [EDIT], [UTILITY] oder [BYPASS] Taste drücken.

Die Store-Seite enthält folgende Informationen:

1. Drücken Sie die [STORE] Taste, um den **Program Store**-Betrieb zu aktivieren.

Versadrive	— Zielspeicher
STORE OK ?	— WIRKLICH SPEICHERN?

Der Zielspeicher bezieht sich natürlich auf das Programm, das gelöscht wird, sobald Sie die editierte Fassung speichern.

Die PROGRAM NUMBER LED zeigt die Nummer dieses Programms an (dessen Name in der oberen Display-Zeile erscheint).

Die EFFECT SELECT LED zeigt die Einstellung des Programms an, das beim Speichern gelöscht wird.

2. Wählen Sie mit dem [DATA ENTRY] Regler den **USER**-Speicher an, in dem Sie die editierte Fassung ablegen möchten.

Pizazz
STORE OK ?

3. Drücken Sie die [STORE] Taste noch einmal, um den Befehl zu bestätigen. Im Display blinkt nun kurz eine Meldung, wie z.B. die nachstehend abgebildete. Anschließend wechselt das FX770 wieder in den Play-Betrieb.

PROGRAM STORE
P1 → U20

Verlassen der Store-Funktion

Sie können den Store-Betrieb jederzeit verlassen (also noch vor dem Speichern), indem Sie die [EFFECT SELECT] bzw. die [PLAY], [EDIT], [UTILITY] oder [BYPASS] Taste drücken.

Kapitel 5: Der Utility-Betrieb

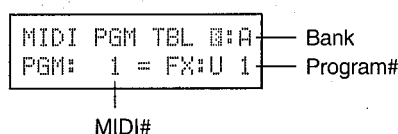
Der letzte Modus des FX770 enthält alle **MIDI- und zuweisbaren Funktionen** des FX770. Hier können Sie das FX770 so einstellen, daß es im Live- oder Studiobetrieb genau das tut, was Sie von ihm verlangen. Außerdem können Sie im Utility-Betrieb die Parameterwerte via MIDI zu einem MIDI-Datenrecorder oder Sequenzer senden bzw. empfangen.

Drücken Sie die [UTILITY] Taste, um den Utility-Betrieb aufzurufen. Die Diode der [UTILITY] Taste leuchtet nun.

5.1 MIDI-Programmwechsellisten

Alle Werks- und User-Programme des FX770 können mit Programmwechselbefehlen angewählt werden (via MIDI also). Damit alles auch wirklich reibungslos verläuft, bietet das FX770 sieben Programmwechsellisten, mit denen Sie jedem Programm die gewünschte Programmnummer zuordnen können, so daß eigentlich nichts mehr schiefgehen kann. Die Programmwechsellisten schließlich kann man einer Bank zuordnen.

Die MIDI PGM TBL-Seite enthält folgende Informationen:



Die **Bank** bezieht sich auf die angewählte Programmwechselliste.

Die **MIDI-Nummer (PGM)** bezieht sich auf die MIDI-Programmnummer.

Die **Programmnummer (FX)** schließlich vertritt das FX770-Programm, das mit der MIDI-Programmnummer aufgerufen wird (hierbei vertritt "P" den Preset-Speicher und "U" den User-Speicher).

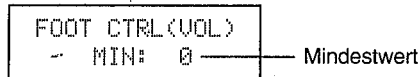
Programme und MIDI-Nummern:

1. Drücken Sie die [UTILITY] Taste, um den Utility-Betrieb anzuwählen und danach noch so oft, bis obige Display-Seite angezeigt wird.
2. Wenn Sie die Bankzuordnung ändern möchten, müssen Sie den Cursor mit [◀] oder [▶] zu dem Bankbuchstaben führen und mit dem [DATA ENTRY] Regler eine andere Bank anwählen.
3. Um einem Programm eine MIDI-Programmnummer zuzuordnen, müssen Sie den Cursor zu der PGM-Nummer führen ([◀] [▶]) und mit dem [DATA ENTRY] Regler eine andere Nummer einstellen.
4. Sie können der gerade angezeigten MIDI-Programmnummer jedoch auch ein anderes FX770-Programm zuordnen: Führen Sie den Cursor mit [◀] [▶] zu der **Programmnummer (FX)** und stellen Sie mit dem [DATA ENTRY] Regler eine andere Nummer ein.

5.2 Mindestwert des Volumenpedals

Mit dieser Funktion können Sie die Mindestlautstärke für einen optionalen FC7 Fußschweller oder ein Volumenpedal* programmieren. Beide Pedale müssen an die VOLUME Buchse auf der Geräterückseite angeschlossen werden.

Die FOOT CTRL (VOL) Seite enthält folgende Informationen:



Der *Mindestwert* bezieht sich auf den kleinsten Wert, den Sie mit dem Pedal einstellen können. Der Einstellbereich beträgt 0 bis 100.

Mindestwert für die Lautstärke:

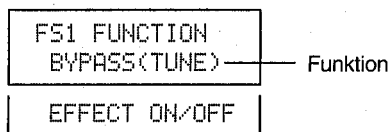
1. Drücken Sie die [UTILITY] Taste, um den **Utility**-Betrieb anzuwählen und danach noch so oft, bis obige Display-Seite angezeigt wird.
2. Stellen Sie mit dem [DATA ENTRY] Regler den gewünschten Mindestwert ein.

* Wenn Sie lieber Ihre vertrautes Volumenpedal verwenden, brauchen Sie ein optionales Einschleifkabel von Yamaha. (Siehe Seite 6.)

5.3 FS1 Funktion

Mit der FS1 Funktion ordnen Sie dem an die FS1 Buchse angeschlossenen Fußtaster eine Funktion zu: entweder **Bypass (Tune)** oder **Effect On/Off** (siehe Kapitel 4.5).

FS1 Function-Seite enthält folgende Informationen:



“Funktion” bezieht sich auf die gegenwärtige Funktion des Fußtasters.

Anwahl der FS1-Funktion

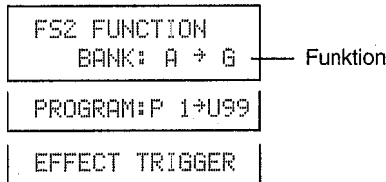
1. Drücken Sie die [UTILITY] Taste, um den **Utility**-Betrieb anzuwählen und danach noch so oft, bis obige Display-Seite angezeigt wird.
2. Stellen Sie die gewünschte Funktion mit dem [DATA ENTRY] Regler ein.

5.4 FS2 Funktion

Mit dieser Funktion ordnen Sie dem an die FS2-Buchse angeschlossenen Fußtaster eine der folgenden Funktionen zu.

- Bankdurchlauf (Bank)
- Programmdurchlauf (Program)
- Effect Trigger (Effektsteuerung)

Die FS2 Funktion-Seite enthält folgende Informationen:



“Funktion” bezieht sich auf die gegenwärtige Funktion des Fußtasters.

Hierbei handelt es sich um eine der folgende Funktionen:

- Bankdurchlauf -** *in diesem Fall wählen Sie mit dem FS2-Taster jeweils die nächste Bank an (siehe unten).*
- Programmdurchlauf -** *in diesem Fall wählen Sie mit dem FS2-Taster jeweils das nächste Programm an (siehe unten).*
- Effect Trigger -** *diese Funktion bedeutet, daß Sie z.B. das Tempo des Delay- bzw. die Geschwindigkeit des Rotary-Effekts per Fuß einstellen können.*

Anwahl der FS2-Funktion

1. Drücken Sie die [UTILITY] Taste, um den **Utility**-Betrieb aufzurufen und danach noch so oft, bis obige Display-Seite angezeigt wird.
2. Wählen Sie nun mit dem [DATA ENTRY] Regler eine Funktion an.
3. Wenn Sie den Bankdurchlauf gewählt haben, können Sie den Cursor mit [▶] zu den beiden Bankbuchstaben führen und mit dem [DATA ENTRY] Regler den Bereich einstellen.
Beispiel) Wenn Sie A → C einstellen, können Sie folgende Bänke per Fuß anwählen: A → B → C → A
4. Wenn Sie den Programmdurchlauf gewählt haben, können Sie den Cursor mit [▶] zu den beiden Programmnummern führen und mit dem [DATA ENTRY] Regler den Bereich einstellen. Es kann jede beliebige Nummer zwischen P0 und U99 eingestellt werden.

Beispiel) Wenn Sie P98 → U2 einstellen, können Sie folgende Programme per Fuß anwählen:

→ P98 → P99 → U0 → U1 → U2 →

Mit U2 → P98 ist folgender Durchlauf möglich

→ U2 → U1 → U0 → P99 → P98 →

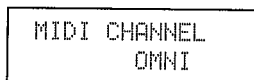
5. Wenn Sie Effect Trigger gewählt haben, brauchen Sie weiter nichts einzustellen (jedenfalls nicht hier). Andererseits müssen Sie dem FS2-Taster jedoch im Effekteditierbetrieb einen Effektparameter zuordnen.

5.5 MIDI-Kanalwahl

Mit dieser Funktion stellen Sie den Empfangskanal des FX770 ein. Sie können jeden beliebigen Kanal (sogar Omni= alle) wählen oder Off einstellen, damit das FX770 keine MIDI-Befehle empfängt.

Einstellen des MIDI-Empfangskanals

1. Drücken Sie die [UTILITY] Taste, um den Utility-Betrieb zu aktivieren. Betätigen Sie diese Taste noch zweimal, um folgende Display-Seite aufzurufen:

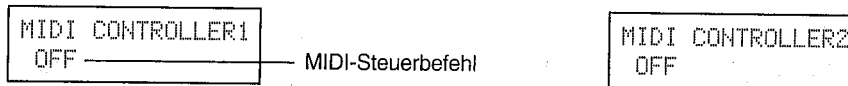


2. Mit dem [DATA ENTRY] Regler können Sie dann einen MIDI-Empfangskanal 1~16, Omni oder Off einstellen. Wenn Sie OMNI wählen, empfängt das FX770 auf allen Kanälen. Es sendet jedoch nur auf Kanal 1.

5.6 MIDI Controller 1 & 2

Das FX770 erlaubt die Steuerung zweier Parameter in Echtzeit mit zwei Steuerbefehlen. Das Schöne daran ist, daß Sie wirklich jede Spielhilfe und jede Pedaleinheit verwenden können, die Steuerbefehle zwischen 0 und 95 (Nummern) sendet. Das FX770 erkennt selbst Notennummern, Anschlagswerte und Aftertouch. In diesem Kapitel zeigen wir Ihnen, wie man den beiden MIDI CTRL-Funktionen eine Steuernummer (oder einen MIDI-Befehlstyp) zuordnet. Vergessen Sie nicht, den beiden Steuerbefehlen dann auch einen Parameter zuzuordnen (Edit-Betrieb, siehe Kapitel 4.6).

Die **MIDI CONTROLLER 1-** und **MIDI CONTROLLER 2-** Seite enthalten folgende Informationen:



Der **MIDI-Steuerbefehl** bezieht sich auf die Nummer, die die externe Spielhilfe senden muß, damit das FX770 den Befehl ausführt. Sie können jede beliebige Nummer zwischen 0 und 95 sowie eine Notennummer, den Anschlag oder Aftertouch wählen.

MIDI Controller 1 und MIDI Controller 2 einstellen:

1. Drücken Sie die [UTILITY] Taste, bis obige Display-Seite angezeigt wird (**MIDI CONTROLLER 1** und **MIDI CONTROLLER 2** befinden sich auf zwei separaten Display-Seiten).
2. Wählen Sie anschließend mit dem [DATA ENTRY] Regler den gewünschten MIDI-Befehl an, den Sie **MIDI CONTROLLER 1** zuordnen möchten.
3. Drücken Sie noch einmal die [UTILITY] Taste, um **MIDI CONTROLLER 2** aufzurufen und ordnen Sie auch dieser Funktion mit dem [DATA ENTRY] Regler einen Steuerbefehl zu.
4. Vergessen Sie nicht, beiden Funktionen auch einen Parameter zuzuordnen! Wie das geht, erfahren Sie in Kapitel 4.6 (Edit-Betrieb).

5.7 Effekte mit einem MFC06 ein- und ausschalten

Die Effekte des FX770 können mit einem optionalen MFC06 MIDI Foot Controller (von Yamaha) ein- und ausgeschaltet werden. Die Taster [1]~[5] können Sie dann jedem beliebigen Effekblock zuordnen.

```
MFC06 ASSIGN
[1]: COMP
```

MFC06 EFFECT ON/OFF ZUORDNUNG

1. Drücken Sie die [UTILITY] Taste, bis obige Display-Seite angezeigt wird.
2. Führen Sie den Cursor anschließend nach rechts und wählen Sie die Fußtaster [1]~[5] mit dem [DATA ENTRY] Regler an.
3. Führen Sie den Cursor nach rechts und wählen Sie den Effekblock mit dem [DATA ENTRY] Regler an.
 - ‡ Am besten kleben Sie die zum Lieferumfang gehörigen Aufkleber auf den MFC06.

5.8 MIDI Bulk

Mit der MIDI Bulk Out-Funktion können Sie die Parameterwerte eines oder aller Programme, die Systemeinstellungen, die Programmwechselliste einer bestimmten Bank und alle Daten des FX770 via MIDI OUT/THRU extern ablegen. Am besten speichern Sie wichtige Programme usw. auch immer extern ab, besonders dann, wenn Sie regelmäßig live spielen. Vielleicht schenkt Ihnen der Keyboarder ja auch ein paar Bytes auf einer Sequenzdiskette...

Die MIDI Bulk Out-Seite enthält folgende Informationen:

```
MIDI BULK OUT
ALL ————— Datentyp
SYSTEM
PROGRAM# ALL
BANK# ALL
```

Mit dem *Datentyp* wählen Sie die Daten, die extern abgelegt werden sollen.

SysEx-Daten senden:

1. Stellen Sie den MIDI OUT/THRU Schalter auf "Out".
2. Drücken Sie die [UTILITY] Taste, bis obige Display-Seite erscheint.
3. Wählen Sie anschließend mit dem [DATA ENTRY] Regler den **Datentyp**.

Das FX770 bietet folgende Möglichkeiten:

ALL	Alle Programme, Systemdaten und Programmwechsellisten
System	Die Systemdaten (z.B. die gegenwärtigen Utility-Einstellungen)
Program	Die Daten des/der gewählten Programms/Programme
Bank	Die Programmwechselliste der angewählten Bank

4. Wenn Sie **Program** oder **Bank** wählen, können Sie mit [▶] und dem [DATA ENTRY] Regler die Programmnummer oder alle Programme bzw. die Bank oder alle Bänke wählen, deren Daten gesendet werden sollen.
5. Drücken Sie die [STORE] Taste, um die Daten zu senden.

Die Bulk-Daten des FX770 werden auf einem bestimmten MIDI-Kanal gesendet, den Sie mit der MIDI Channel-Funktion wählen (siehe Kapitel 5.5). Wenn Sie diesen Parameter auf OMNI gestellt haben, werden die Daten auf Kanal 1 gesendet.

Kapitel 6: Fernbedienung

6.1 Fernbedienungsfunktionen (Remote)

Wenn Sie einen Fußschweller oder ein MIDI-Gerät an eine der fünf Steuerbuchsen des FX770 anschließen, können Sie folgende Funktionen ansteuern:

- **VOLUME Buchse (Fußschweller)**
 - Steuern der Lautstärke
- **WAH Buchse (Fußschweller)**
 - Steuern der Wah-Funktion
- **FS1 Buchse (Fußtaster)**
 - BYPASS (TUNE) ein-/ausschalten
 - EFFEKT ein-/ausschalten
- **FS2 Buchse (Fußtaster)**
 - Programmanwahl
 - Bankanwahl
 - Geschwindigkeit
 - Tempoeinstellung
- **MIDI IN Buchse**
 - Programmanwahl (PROGRAMMWECHSEL)
 - Tempoeinstellung (MIDI-ZEITAKT)
 - Tonhöhenänderung (NOTE-AN BEFEHLE)
 - Parametereinstellung (STEUERBEFEHLE usw.)
 - Lautstärke (STEUERBEFEHL, AKTIVAUFSPÜRUNG)
 - Effekte ein-/ausschalten mit MFC06
 - Bulk Dump (SYSEX-BEFEHLE)
 - Bankanwahl (SYSEX-BEFEHL)

6.2 Schwellerfunktionen

• VOLUME Buchse

Mit einem optionalen FC7 Schweller oder einem konventionellen Volumenpedal* können Sie die Lautstärke einstellen. Hierbei können Sie sowohl die Lautstärkeposition als auch den Mindestwert einstellen (d.h. den kleinsten Lautstärkewert, der per Fuß eingestellt werden kann).

1. Stellen Sie den Mindestwert ein (siehe "5.2 Mindestwert des Volumenpedals" auf Seite 24).
2. Stellen Sie die Lautstärkeposition ein (siehe "4.4 Volume Position (Lautstärkeposition)" auf Seite 17).
3. Speichern Sie diese Einstellungen.
4. Schließen Sie einen Schweller an die VOLUME Buchse an.

Die unter "4.4 Volume Position (Lautstärkeposition)" (Seite 17) erwähnte Lautstärkeposition bezieht sich auf den MIDI-Lautstärkebefehl. Das bedeutet also, daß Sie mit einer Einstellung per Fuß zwei Werte bekommen.

* Wenn Sie ein konventionelles Volumenpedal verwenden möchten, brauchen Sie ein Einschleifkabel von Yamaha. (Siehe Seite 6.)

• WAH Buchse

Auch der Wah-Effekt kann mit einem FC7* Schweller von Yamaha gesteuert werden.

1. Stellen Sie den CTRL-Parameter des Wah-Effekts (siehe "7.1.2 WAH-Effekte" auf Seite 37) auf "FOOT CTL."
2. Schließen Sie einen Fußschweller an die WAH Buchse an.

* Auch hierfür können Sie ein ganz normales Volumenpedal verwenden. Allerdings brauchen Sie dann ein Einschleifkabel. (Siehe Seite 6.)

6.3 Fußtasterfunktionen

• FS1 Buchse

BYPASS (TUNE)

Die Bypass-Funktion kann mit einem FC5 von Yamaha ein- und ausgeschaltet werden. Im Play-Betrieb wird bei aktiver Bypass-Funktion der Tuner-Betrieb eingeschaltet. Diese Funktion erleichtert Ihnen also das Stimmen Ihrer Gitarre während eines Gigs.

1. Wählen Sie "BYPASS (TUNE)" für "5.3 FS1 Funktion" auf Seite 24.
2. Speichern Sie diese Einstellung erforderlichenfalls.
3. Schließen Sie einen Fußtaster an die FS1 Buchse an.

• FS2 Buchse

Programmanwahl

Auch die Programme des FX770 können mit einem FC5 von Yamaha angewählt werden. Bei jedem Druck auf den Fußtaster wählen Sie dann das nächste oder vorige Programm an. Dabei können Sie selbst bestimmen, welche Programme angewählt werden müssen.

1. Speichern Sie die Programme erst in der gewünschten Reihenfolge (wenn nötig).
2. Wählen Sie "PROGRAM: xxx → xxx" für "5.4 FS2 Funktion" auf Seite 25 und stellen Sie die höchste und niedrigste (oder umgekehrt) Programmnummerein, die Sie per Fuß aufrufen möchten.

Beispiel 1) 62 → 65:

Beispiel 2) 65 → 62:

3. Schließen Sie einen Fußtaster an die FS2 Buchse an.

• Bankanwahl

Auch die Bänke des FX770 können mit einem FC5 von Yamaha angewählt werden. Bei jedem Druck auf den Fußtaster wählen Sie dann die nächste oder vorige Bank an. Dabei können Sie selbst bestimmen, welche Bänke angewählt werden müssen. Wenn Sie ausschließlich einen MFC05 oder MFC06 verwenden, können Sie nur jeweils 10 (oder 5) Programme anwählen. Dank dieser Funktion können Sie jedoch bis zu 70 (bzw. 35) Programme aufrufen.

1. Siehe "5.1 MIDI-Programmwechsellisten" auf Seite 23 für die Programmnummerzuordnung.
2. Stellen Sie "BANK: x → x" ein für "5.4 FS2 Funktion" auf Seite 25 und programmieren Sie anschließend die erste und die letzte Bank.

Beispiel 1) B → G:

Beispiel 2) G → B:

3. Schließen Sie einen Fußtaster an die FS2 Buchse an.

• Geschwindigkeit

Ein FC5 von Yamaha erlaubt Ihnen außerdem, den MOD-Parameter des "MOD:ROT" Effekts per Fuß zu ändern. Die Schaltreihenfolge ist immer:

→ STOP → SLOW → FAST → SLOW → STOP → SLOW → FAST

1. Wählen Sie "EFFECT TRIGGER" unter "5.4 FS2 Funktion" auf Seite 25 und stellen Sie den Namen der Bank ein.

2. Stellen Sie den MO-Block auf "ROT."
3. Schließen Sie einen Fußtaster an die FS2 Buchse an.

• Tempo

Mit einem FC5 Taster von Yamaha können Sie des weiteren das Tempo des MOD- oder DLY-Blocks ändern. Das funktioniert wie folgt: die Geschwindigkeit, mit der Sie den Fußtaster betätigen wird in einen Tempowert umgerechnet. Beachten Sie, daß Sie das Tempo der beiden Blöcken (MOD und DLY) gleichzeitig einstellen können. Folgende Parameter können mit dieser Funktion geändert werden:

MOD Block: PAN, TRM

DLY Block: TD1, TD2, TMD

Wenn Sie den Fußtaster betätigen, während im Display der Parameter des verfügbaren Effektblocks angezeigt wird (d.h. eines Blocks, der auf Tempowerte reagiert), zeigt das Display ein Grafik an, die besagt, daß das FX770 gerade den Zeitwert ausrechnet. Betätigen Sie den Fußtaster, bevor die Grafik wieder verschwindet, da das Tempo sonst nicht eingestellt wird.

1. Wählen Sie "EFFECT TRIGGER" unter "5.4 FS2 Funktion" auf Seite 25.
2. Wählen Sie einen Parameter des MOD- oder DLY-Blocks an. Stellen Sie den TRG-Parameter auf FS2.
3. Schließen Sie einen Fußtaster an die FS2 Buchse an.

6.4 MIDI-Steuerung

• Programmanwahl (Programmwechsel)

Selbstverständlich können Sie die Programme des FX770 auch via MIDI anwählen. Das FX770 bietet sogar sieben Bänke (A~G), mit denen Sie allen Programmen des FX770 eine beliebigen MIDI-Programmnummer zuordnen können. Außerdem können Sie für jede Bank einen MIDI-Kanal einstellen.

1. Wählen Sie unter "5.1 MIDI-Programmwechsell Tabellen" auf Seite 23 ein Bank an. Die Bank kann auch per Fuß angewählt werden.
2. Stellen Sie unter "5.5 MIDI-Kanalwahl" auf Seite 26 den MIDI-Kanal ein. Wählen Sie denselben Kanal wie denjenigen, auf dem das externe Gerät die Programmwechselbefehle sendet.
3. Schließen Sie ein MIDI-Instrument (z.B. einen Sequenzer) an die rückseitige MIDI IN-Buchse an.

• Tempo (MIDI-Zeittakt)

Das Tempo des MOD- oder DLY-Blocks kann nicht nur per Fuß (via FS2), sondern auch via MIDI eingestellt werden. Das ist z.B. praktisch, wenn Sie einen Sequenzer oder eine Drummaschine an die MIDI IN-Buchse des FX770 anschließen.

Wenn Sie MIDI-Tempo-Befehle senden, während im Display der Parameter des verfügbaren Effektblocks angezeigt wird (d.h. eines Blocks, der auf Tempowerte reagiert), blinkt ein Symbol im Display.

1. Wählen Sie einen Effekt des MOD- oder DLY-Blocks, dessen Parameter angesteuert werden soll und stellen Sie TRG auf "MIDI".
2. Schließen Sie den Sender (Sequenzer usw.) an die MIDI IN-Buchse an.

Sobald das FX770 Tempobefehle empfängt, braucht es noch ca. eine Achtelnote, um den dazugehörigen Tempowert einzustellen.

• Tonhöhenänderung (Note-an Befehle)

Das FX770 kann anhand von eingehenden Note-an Befehlen die Einstellung des PITCH PCL- und PCR-Parameters ändern.

1. Stellen Sie unter "5.5 MIDI-Kanalwahl" auf Seite 26 dieselbe Kanalnummer ein wie die Nummer des Kanals, auf dem das externe Gerät sendet.
2. Stellen Sie den KEY-Parameter unter 7.1.6 auf Seite 43 ein.
3. Schließen Sie den Sender (Sequenzer usw.) an die MIDI IN-Buchse an.

Das Intervall zwischen dem Note-an Befehl und dem für KEY eingestellten Wert ergibt die Tonhöhenänderung für den PCL- und PCR-Parameter. Dabei sind diese Parameter folgendermaßen miteinander verknüpft:

Wenn Note-an Befehl eines Akkordes eingehen, gilt die höchste Notenummer dem PCL-Parameter, während der PCR-Parameter den zweithöchsten Notenwert auswertet.

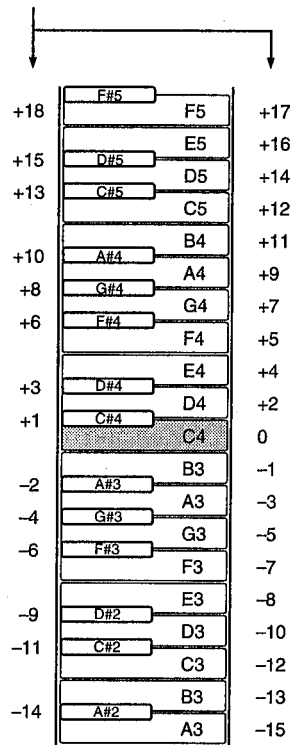
Diese Funktion ist immer verfügbar, ganz gleich welchen KEY NOTE-Wert Sie für Controller 1 und 2 wählen. Stört Sie diese Tonhöhenänderung, sollten Sie den Key-Parameter auf "Off" stellen.

Intervall (wenn für den Key-Parameter C4 eingestellt wurde): PCL, PCR

Beispiel) Wenn Sie für den Key-Parameter C4 einstellen:

Handelt es sich beim Note-an Befehl um den Wert G4:
Wie unschwer zu erkennen, beträgt das Intervall zwischen G4 und C4 sieben Halbtöne (+7). Dies ist also der neue Wert für PCR und PCL.

Wenn nach dem G4 ein E3 eingeht:
Das Intervall zwischen E3 und C4 beträgt 8 Halbtöne, also wird der Wert -8 für PCL und PCR eingestellt.



• Parametersteuerung (Steuerbefehle usw.)

Das FX770 kann jeweils zwei Steuerbefehle gleichzeitig empfangen. Das bedeutet also, daß Sie jederzeit zwei Effektparameter via MIDI steuern können, was ab und an recht erfreulich sein kann.

1. Wählen Sie unter "5.1 MIDI-Programmwechsellisten" auf Seite 23 eine Bank an.
2. Wählen Sie den MIDI CTRL-Befehl an ("5.6 MIDI Controller 1 & 2" auf Seite 26), der der Spielhilfe des Senders zugeordnet ist.
3. Wählen Sie unter "4.6 CTRL 1 & 2 und die Effekte" auf Seite 19 den Parameter an, der via MIDI angesteuert werden soll und stellen Sie den Bereich ein.
4. Schließen Sie den Sender an die MIDI IN-Buchse des FX770 an.

Controller 1 und sind zwar im Prinzip miteinander identisch, jedoch können Sie diesen Steuerbefehlen niemals denselben Parameter zuordnen.

Wählen Sie eine der folgenden Steuernummern.

Nummer	Steuerbefehl
OFF	
1	Modulation
2	Blaswandler
3	Nicht belegt
4	Fußschweller
5	Portamento Zeit
6	Dateneingabe
7	Lautstärke
8	Balance
9	Nicht belegt

Nummer	Steuerbefehl
10	Panorama
11	Expression
12-15	Nicht belegt
16-19	Allgemein
20-31	Nicht belegt
64	Sustainpedal
65	Portamento
66	Sostenuto
67	Soft-Pedal
68	Nicht belegt

Nummer	Steuerbefehl
69	Hold 2
70-79	Nicht belegt
80-83	Allgemein
84-91	Nicht belegt
92	Tremolo-Tiefe
93	Chorus-Tiefe
94	Celeste-Tiefe
95	Phaser-Tiefe
<<	Notennummer
<<	Anschlag
<<	Kanal-Aftertouch

• **Lautstärke (Steuerbefehl, Aktivaufspürung)**

Das FX770 kann auch Lautstärkebefehle ausführen, die sich nicht auf ein bestimmtes Programm beziehen. Diesen Lautstärkewert können Sie zwar nicht am Gerät selbst editieren, aber via MIDI geht das allemal. Der MIDI-Lautstärkewert richtet sich immer nach dem letzten Steuerbefehl und ändert sich auch dann nicht, wenn Sie ein anderes Programm anwählen.

1. Stellen Sie unter "5.5 MIDI-Kanalwahl" auf Seite 26 dieselbe Kanalnummer ein wie diejenige, auf dem das externe Gerät sendet. Wenn Sie OMNI wählen, empfängt das FX770 auf allen Kanälen
2. Wählen Sie unter "4.6 CTRL 1 & 2 und die Effekte" auf Seite 19 VOLUME und stellen Sie den Bereich ein.
4. Stellen Sie die Lautstärkeposition ein (siehe "4.4 Volume Position (Lautstärkeposition)" auf Seite 17).
5. Schließen Sie den Sender an die MIDI IN-Buchse des FX770 an.

Der unter "4.4 Volume Position (Lautstärkeposition)" eingestellte Wert bezieht sich auch auf die VOLUME Buchse. Mithin bekommen Sie mit ein und derselben Position also immer zwei Lautstärkewerte.

In folgenden Fällen wird der Höchstwert eingestellt:

- Beim Einschalten
- Wenn Sie Programme anwählen, deren Lautstärke nicht via MIDI geändert werden kann.
- Wenn Sie gerade eingestellt haben, daß das gegenwärtige Programm keine MIDI-Lautstärkebefehle empfangen darf
- Wenn Sie die MIDI Volume Controller-Einstellung geändert haben
- Wenn Sie die MIDI-Verbindung mit der Außenwelt unterbrochen haben (keine Aktivaufspürung mehr)
- Wenn die MIDI-Befehle nicht richtig gesendet werden

• **Effekte mit einem MFC06 ein- und ausschalten**

Mit einem MFC06 (Fußschweller) von Yamaha können Sie die Effekte ein- und ausschalten. Ordnen Sie den fünf Pedalen des MFC06 einen Effektblock zu.

1. Stellen Sie den MIDI-Kanal ("5.5 MIDI-Kanalwahl" auf Seite 26) auf "OMNI" oder "1."
2. Programmieren Sie die Effektstatuszuordnung ("5.7 Effekte mit einem MFC06 ein- und ausschalten" auf Seite 27).
3. Schließen Sie den MFC06 an die MIDI IN Buchse des FX770 an.

• **Bulk Dump (Datenblockabwurf)**

Das FX770 kann drei Bulk-Typen senden: Memory, Bank und System. Außerdem empfängt es diese Befehle im Play-Betrieb und im Edit-Betrieb. Wahrscheinlich wissen Sie bereits, daß beim Empfang eines Datenblocks die internen Einstellungen gelöscht werden.

- MEMORY:** Speichert die Daten im angewählten Programm.
BANK: Speichert die Daten in der angewählten Bank.
SYSTEM: Legt die Daten im (zwar nicht anwählbaren) Utility-Speicher ab.

1. Stellen Sie unter "5.5 MIDI-Kanalwahl" auf Seite 26 dieselbe Kanalnummer ein wie diejenige, auf dem das externe Gerät die SysEx-Daten sendet. Wenn Sie OMNI wählen, empfängt das FX770 auf allen Kanälen
2. Schließen Sie den Sender(z.B. einen MDF2) an die MIDI IN-Buchse des FX770 an.

Senden Sie die Blockdaten gemäß den Anweisungen unter "5.8 MIDI Bulk" auf Seite 27.

Selbstverständlich können sie die Daten auch zu einem anderen FX770 senden. Auch in diesem Fall müssen Sie für beide Geräte denselben MIDI-Kanal wählen.

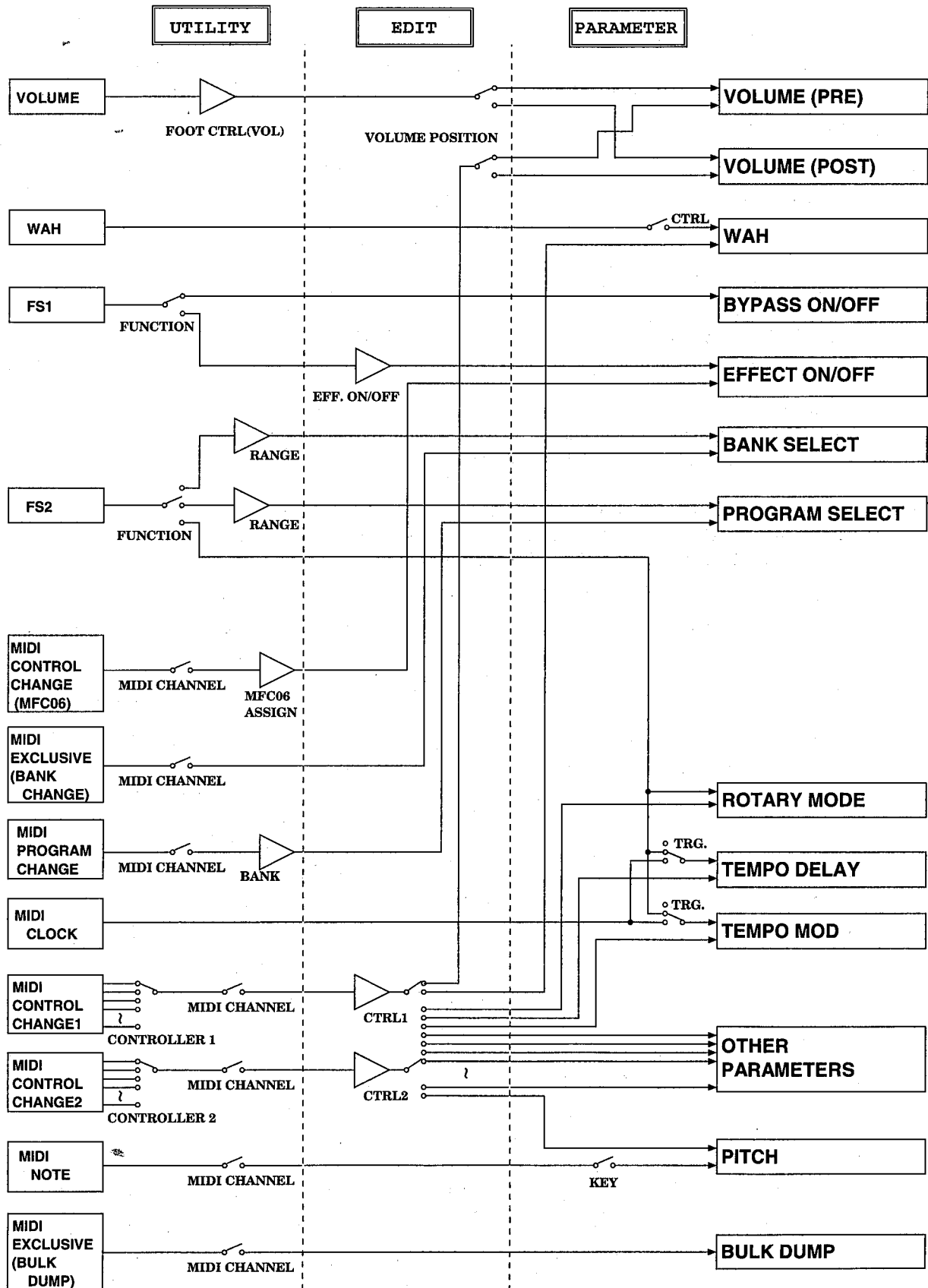
• **Bankwahl (SysEx-Befehl)**

Anwahl einer anderen Bank.

1. Stellen Sie unter "5.5 MIDI-Kanalwahl" auf Seite 26 dieselbe Kanalnummer ein wie diejenige, auf dem das externe Gerät die SysEx-Daten sendet. Wenn Sie OMNI wählen, empfängt das FX770 auf allen Kanälen
2. Schließen Sie den Sender an die MIDI IN-Buchse des FX770 an.

Das FX770 kann diesen Befehl nicht senden. Verwenden Sie also einen Computer für die Bankwahl.

6.5 Ansteuern des FX770 mit externen Geräten



Kapitel 7: Fakten

Dieses Kapitel enthält bündige Beschreibungen der Effekte sowie der Effektparameter des FX770. Außerdem finden Sie hier eine Übersicht der Preset-Programme, die Ihnen bestimmt beim Programmieren eigener Effekte helfen. Darüber hinaus enthält dieses Kapitel nützliche Hinweise und Anmerkungen. Am besten lesen Sie sich alles gründlich durch, damit Sie einen Überblick bekommen über die Möglichkeiten des FX770. Da niemand alles behält, werden Sie beim Programmieren bestimmt vor allem dieses Kapitel zu Rate ziehen.

7.1 Effektparameter

In diesem Kapitel finden Sie alle "Display-Seiten" der einzelnen Effekttypen sowie eine Liste der jeweiligen Parameter und des Einstellbereichs. Das FX770 Angebot des FX770 ist wahrhaft eindrucksvoll. Es lohnt sich also weiterzulesen. Am schnellsten lernen Sie das FX770 jedoch kennen, wenn Sie sich alle Preset-Programme einmal anhören und dann zu erforschen versuchen, warum sie so sind, wie sie sind.

7.1.1 Compressor/Limiter

Seit jeher (also bereits in Zeiten, als Gitarreneffekte noch sehr stark rauschanfällig waren) ist der Kompressor ein bei Gitarristen beliebter Effekt. Das FX770 bietet einen klassischen Kompressor, der sich besonders für Gitarren eignet.

Typ 1 & 2: CO1 (Compressor 1), CO2 (Compressor 2)

Kompressor CO2 ist viel intensiver als CO1.

Display-Seite 1

```
COx ATK SUS LVL
   xx xxx xxx
```

Parameter #	Name	Funktion	Wert/Einstellbereich
Parameter 1	ATK	Einschwingzeit	0 ~ 20
Parameter 2	SUS	Sustain	0 ~ 100
Parameter 3	LVL	Ausgangspegel	-∞, -30 ~ +6 [dB]

Hinweise:

- Einschwingzeit** Hiermit bestimmen Sie, wann der Kompressor einsetzt, sobald er ein Signal empfängt. Je größer der Wert, desto markanter wird die Einschwingzeit.
- Sustain** Mit diesem Parameter bestimmen Sie, wann sich der Kompressor wieder schließt, nachdem das Signal unter den Grenzwert abgefallen ist.
- Ausgangspegel** Der Ausgangspegel des Compressor/Limiter-Effekts. (Lassen Sie beim Einstellen dieses Parameters die gebührende Umsicht walten! Normalerweise sollte der Pegel so eingestellt werden, daß es beim Ausschalten dieses Effekts nicht zu drastischen Pegelsprüngen kommt.) Andererseits können Sie den Pegel so stark anheben, daß die Verzerrung schön "bratig" wird.

Typ 3 LIM (Limiter)

Display-Seite 1

```
LIM ATK SUS LVL
   xxx xxx xxx
```

Parameter #	Name	Funktion	Wert/Einstellbereich
Parameter 1	ATK	Einschwingzeit	0 ~ 20
Parameter 2	SUS	Sustain	0 ~ 100
Parameter 3	LVL	Ausgangspegel	-∞, -30 ~ +6 [dB]

Hinweise:

- Einschwingzeit** Hiermit bestimmen Sie, wann der Kompressor einsetzt, sobald er ein Signal empfängt. Je größer der Wert, desto markanter wird die Einschwingzeit.
- Sustain** Mit diesem Parameter bestimmen Sie, wann sich der Kompressor wieder schließt, nachdem das Signal unter den Grenzwert abgefallen ist.
- Ausgangspegel** Der Ausgangspegel des Compressor/Limiter Effekts. (Lassen Sie beim Einstellen dieses Parameters die gebührende Umsicht walten! Normalerweise sollte der Pegel so eingestellt werden, daß es beim Ausschalten dieses-Effekts nicht zu drastischen Pegelsprüngen kommt.) Andererseits können Sie den Pegel so stark anheben, daß die Verzerrung schön "bratig" wird.

7.1.2 WAH-Effekte

Kein anderer Effekt ist so beliebt (oder war es zumindest) wie das gute alte WahWah-Pedal. Mit diesem Effekt können Sie sich fast mit jedem "Guitar Hero" messen. Besonders erfreulich ist der Umstand, daß das FX770 nicht einen, sondern gleich drei WAH-Effekte bietet. Selbstverständlich können Sie sie per Fuß ansteuern (das FX770 ist nämlich mit einem WAH-Pedalanschluß ausgerüstet). Andererseits ist jedoch auch eine Automatik belegt, die sich nach dem Eingangspegel richtet (SEN). Wenn das noch zu frei erscheint, der kann den WAH-Effekt mit einem LFO ansteuern (Auto Wah).

Typ 1 & 2: WA1 (WAH 1) WA2 (WAH 2)

Sowohl WA1 als auch WA2 sind eigentlich Bandpaßfilter.

WA1 ist eine Nachempfindung des klassischen WahWah-Pedals. WA2 hat hingegen einen größeren Frequenzgang.

Display-Seite 1

```
WAx CTRL
    PEDAL
```

Display-Seite 1a

```
WAx CTRL SEN
    TOUCH xx
```

Display-Seite 1b

```
WAx CTRL PNT
    FIXED xx
```

Display-Seite 1c

```
WAx CTRL SPD
    LFO x.x
```

Display-Seite 2

```
WAx POSITION
XXXXXXXXXXXXXXXXXXXX
```

Parameter #	Name	Funktion	Wert/Einstellbereich
Parameter 1	CTRL	Quelle	PEDAL, TOUCH, FIXED, LFO
Parameter 1a	SEN	Empfindlichkeit	0 ~ 8
Parameter 1b	PNT	Fixpunkt	0 ~ 63
Parameter 1c	SPD	LFO Geschwindigkeit	0.1 ~ 9.9 [Hz]
Parameter 2	POSITION	WAH-Position	WAH→EXT→PREAMP (WAH→PREAMP→EXT) EXT→PREAMP→WAH (PREAMP→EXT→WAH)

Hinweise:

Spielhilfe

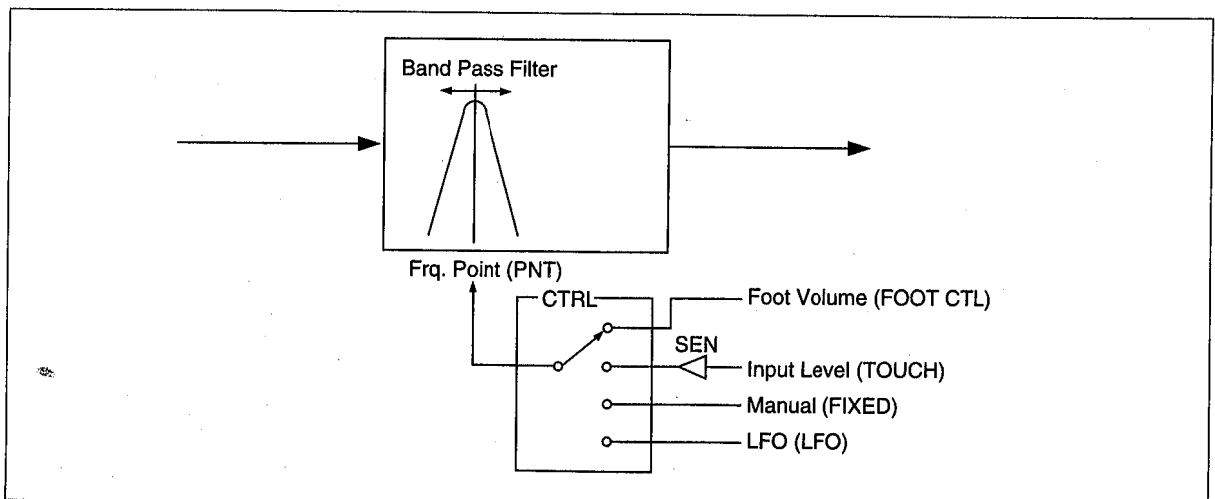
- PEDAL** Schweller FC7 oder Volumenpedal*, der/das an die WAH-Buchse angeschlossen ist.
- TOUCH** Anschlagempfindlichkeit
- FIXED** Feste Frequenz
- LFO** Interner LFO

Empfindlichkeit Der Grenzwert für den SEN WAH.

Fixpunkt Die Filterfrequenz (Anhebung oder Mittelfrequenz des WAH-Effekts).

LFO Geschwindigkeit Die Geschwindigkeit des WAH-Effekts, wenn Sie den LFO als Quelle gewählt haben.

Position Position des WAH-Effekts in der Signalkette.



* Hierfür brauchen Sie ein optionales Einschleifkabel von Yamaha. (Siehe Seite 6)

Typ 3: WA3 (WAH 3)

WA3 ist ein Tiefpaßfilter-Effekt.

Display-Seite 1

```
WA3 CTRL RES
  PEDAL  xxx
```

Display-Seite 1a

```
WA3 CTRL SEN RES
  TOUCH  xx xxx
```

Display-Seite 1b

```
WA3 CTRL PNT RES
  FIXED  xx xxx
```

Display-Seite 1c

```
WA3 CTRL SPD RES
  LFO   x.x xxx
```

Display-Seite 2

```
WA3 POSITION
xxxxxxxxxxxxxxxx
```

Parameter #	Name	Funktion	Wert/Einstellbereich
Parameter 1	CTRL	Spielhilfe	PEDAL, TOUCH, FIXED, LFO
Parameter 1a	SEN	Empfindlichkeit	0 ~ 8
Parameter 1b	PNT	Fixpunkt	0 ~ 63
Parameter 1c	SPD	LFO Geschwindigkeit	0.1 ~ 9.9 [Hz]
Parameter 2	RES	Resonance	1 ~ 100
Parameter 3	POSITION	WAH-Position	WAH→EXT→PREAMP (WAH→PREAMP→EXT) EXT→PREAMP→WAH (PREAMP→EXT→WAH)

Hinweise:

Spielhilfe

- PEDAL**
- TOUCH**
- FIXED**
- LFO**

Hiermit bestimmen Sie, wie der WAH-Effekt gesteuert wird.

- Schweller FC7 oder Volumenpedal*, der/das an die WAH-Buchse angeschlossen ist.
- Anschlagsempfindlichkeit
- Feste Frequenz
- Interner LFO

Empfindlichkeit

Der Grenzwert für den SEN WAH-Effekt.

Fix Point

Die Filterfrequenz (Anhebung oder Mittelfrequenz des WAH-Effekts).

LFO Geschwindigkeit

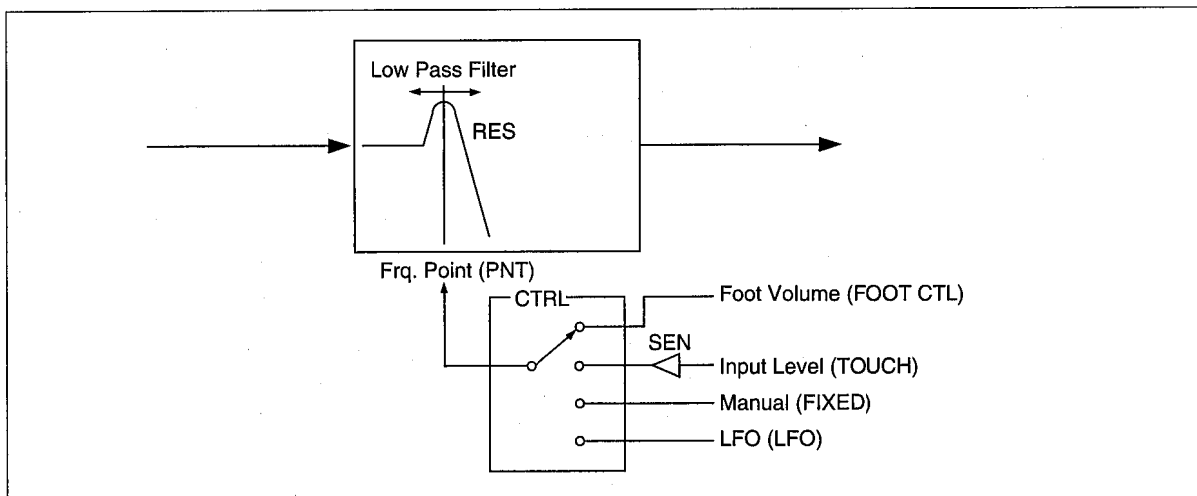
Die Geschwindigkeit des WAH-Effekts, wenn Sie den LFO als Quelle gewählt haben.

Resonance

Klangfarbe des WAH-Filters.

Position

Position des WAH-Effekts in der Signalkette.



* Hierfür brauchen Sie ein optionales Einschleifkabel von Yamaha. (Siehe Seite 6.)

7.1.3 Preamp

Der "Vorverstärker" kann eine "voll-digitale Nachempfindung eines guten Vorverstärkers" sein. Selbstverständlich ist dieser Effekt mit einer Klangregelung ausgestattet (Baß, Mitten, Höhen, Presence). Außerdem bietet er sechs "Drive" Kanäle sowie einen "sauberen" Kanal, so daß alle Sounds möglich sind.

Typ 1: DS1, 2, 3 (Distortion 1,2,3)

Typ 4, 5: OD1 & OD2 (Overdrive 1 & 2)

Typ 6: CRN (Crunch)

Typ 7: CLN (Clean)

‡ Manche CLN-Parameter erscheinen nicht im Display.

1) Tone Control: Typ1 und Typ2

Display-Seite 1

```
xxx DRV MUL TONE
xxx xxx TYP1
_____
                TYP2
```

Display-Seite 2

```
xxx BAS MID TRB
TONE xxx xxx xxx
```

Display-Seite 3

```
xxx PRS     FIL
TONE xxx     xxx
```

Display-Seite 4

```
xxx FRQ GAI Q
PreEQxxxxx xxx xxx
```

Display-Seite 5

```
xxx FRQ GAI Q
PreEQxxxxx xxx xxx
```

2) Tone Control: User

Display-Seite 1

```
xxx DRV MUL TONE
xxx xxx USER
```

Display-Seite 2

```
xxx FRQ Q LVL
BAS xxxxx xxx xxx
```

Display-Seite 3

```
xxx FRQ Q LVL
MID xxxxx xxx xxx
```

Display-Seite 4

```
xxx FRQ Q LVL
TRB xxxxx xxx xxx
```

Display-Seite 5

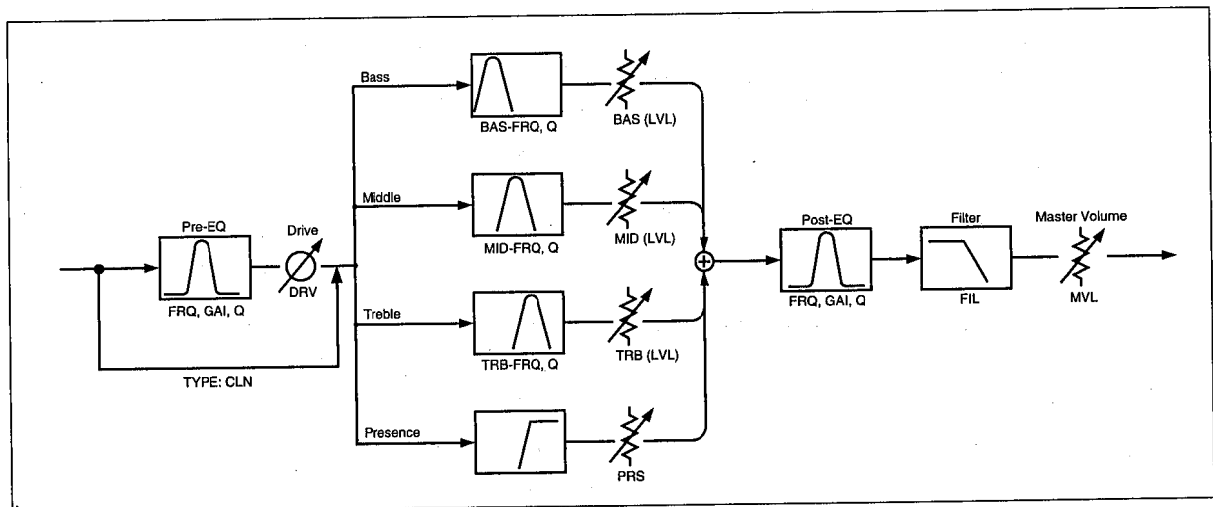
```
xxx PRS     FIL
TONE xxx     xxx
```

Display-Seite 6

```
xxx FRQ GAI Q
PreEQxxxxx xxx xxx
```

Display-Seite 7

```
xxx FRQ GAI Q
PreEQxxxxx xxx xxx
```



Parameter #	Name	Funktion	Wert/Einstellbereich
Parameter 1	DRV	Preamp Drive	0 ~ 100
Parameter 2	MVL	Hauptlautstärke	0 ~ 100
Parameter 3	TONE	Klangregelungstyp	TYP1, TYP2, USER
• TONE=TYP1, TYP2			
Parameter 4	BAS	Baßregelung	0 ~ 100
Parameter 5	Mitten	Mitten	0 ~ 100
Parameter 6	TRB	Höhenregelung	0 ~ 100
• TONE=USER			
Parameter 4	BAS FRQ	Baßfrequenz	20 ~ 1.0k [Hz]
Parameter 5	BAS Q	Güte der Tiefen	.10 ~ 10
Parameter 6	BAS LVL	Baßpegel	0 ~ 100
Parameter 7	MID FRQ	Mittenfrequenz	200 ~ 3.2k [Hz]
Parameter 8	MID Q	Güte	.10 ~ 10
Parameter 9	MID LVL	Mittenpegel	0 ~ 100
Parameter 10	TRB FRQ	Höhenfrequenz	1.0 ~ 10k [Hz]
Parameter 11	TRB Q	Güte der Höhen	.10 ~ 10
Parameter 12	TRB LVL	Höhenpegel	0 ~ 100
Parameter 13	PRS	Presence	0 ~ 100
Parameter 14	FIL	Filter	-15 ~ +15
Parameter 15	PrEQ FRQ	Pre-EQ Frequenz	20 ~ 16k [Hz]
Parameter 18	PrEQ GAI	Pre-EQ Pegel	-15 ~ +15 [dB]
Parameter 17	PrEQ Q	Pre-EQ Güte	.10 ~ 10
Parameter 18	PsEQ FRQ	Post-EQ Frequenz	20 ~ 16k [Hz]
Parameter 19	PsEQ GAI	Post-EQ Gain	-15 ~ +15 [dB]
Parameter 20	PsEQ Güte	Post-EQ Güte	.10 ~ 10

Hinweise:

- Preamp Drive** Hiermit stellen Sie den Eingangspiegel ein (sehr wichtig für Verzerrung).
- Hauptlautstärke** Hiermit stellen Sie den Gesamtpegel des Vorverstärkers ein.
- Klangfarbe** Hier können Sie **TYP1 (British)**, **TYP2 (American)** oder **USER** wählen

• TYP1, TYP2

- Baß** Anhebung/Absenkung der Tiefen (wie auf einem Verstärker).
- Klangfarbe der Mitten** Anhebung/Absenkung der Mitten (wie auf einem Verstärker).
- Höhen** Anhebung/Absenkung der Höhen (wie auf einem Verstärker).

• USER

- Baßfrequenz** Die Baßfrequenz der USER-Klangregelung
- Güte der Tiefen** Bandbreite der Tiefen
- Baßpegel** Anhebung/Absenkung der Tiefen

- Mittenfrequenz** Mittenfrequenz der USER-Klangregelung
- Güte** Bandbreite der Mitten
- Mittenpegel** Anhebung/Absenkung der Höhen

- Höhenfrequenz** Die Höhenfrequenz der USER-Klangregelung
- Güte der Höhen** Bandbreite der Höhen
- Höhenpegel** Anhebung/Absenkung der Höhen

- Presence** Anhebung/Absenkung des Presence-Parameters
- Filter** Ein moderner "Höhenverstärker" oder -filter.

- Pre-EQ Frequenz** Die Frequenz des Equalizers, der sich vor der Preamp-Verstärkung befindet.
- Pre-EQ Gain** Pegel dieses Equalizers
- Pre-EQ Güte** Bandbreite dieses Equalizers.

- Post-EQ Frequenz** Die Frequenz des Equalizers, der sich hinter der Hauptklangregelung befindet.
- Post-EQ Gain** Pegel dieses Equalizers
- Post-EQ Güte** Bandbreite dieses Equalizers.

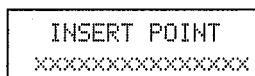
7.1.4 Insert Point

Wahrscheinlich besitzen auch Sie einen Vorverstärker oder ein Effektgerät, das Sie trotz der Qualität des FX770 nicht missen möchten. Deshalb ist das FX770 auch mit einer Schleife ausgestattet. Diese Schleife kann sich an vier verschiedenen Stellen befinden. Der Einschleifpunkt sowie der Status der Schleife (an oder aus) werden jeweils mit den übrigen Programmparametern gespeichert, so daß sich die Schleife immer an der idealen Stelle befindet.

Den Pegel des Effektrückweges können Sie auf der Rückseite des FX770 einstellen. Er ist also nicht programmierbar. Wie immer sollten Sie die notwendige Vorsicht walten lassen, damit der Effektrückweg sowie die nachfolgenden Parameter nicht übersteuert werden.

Einschleifpunkt

Display-Seite 1



Parameter #	Name	Funktion	Wert/Einstellbereich
Parameter 1	Insert Point	Schleifenposition	WAH→EXT→PREAMP (WAH→PREAMP→EXT) EXT→PREAMP→WAH (PREAMP→EXT→WAH)

Hinweise:

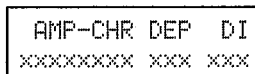
Schleifenposition Hiermit stellen Sie ein, wo sich die Schleife befindet.

7.1.5 Amp Simulator

Der Amp Simulator ist das Tüpfelchen auf dem "i"! Mit diesem "Effekt" können Sie nämlich die Einstellungen des Preamps so verstärken, daß es verdammt nach Röhren-Amp riecht. Das FX770 bietet neun verschiedene Amp/Speaker-Simulationen und einen DI-Filter, so daß Sie das FX770 direkt ans Pult anschließen können (sowohl live als im Studio).

AMP SIM (Amp Simulator)

Display-Seite 1



Parameter #	Name	Funktion	Wert/Einstellbereich
Parameter 1	AMP-CHR	Amp Charakter	STK-M1, STK-M2, THRASH, MIDBOOST, CMB-PG, CMB-VR, CMB-DX, CMBPTMN, MINIAMP
Parameter 2	DEP	Tiefe	0 ~ 100 [%]
Parameter 3	DI	DI Filter	On/Off

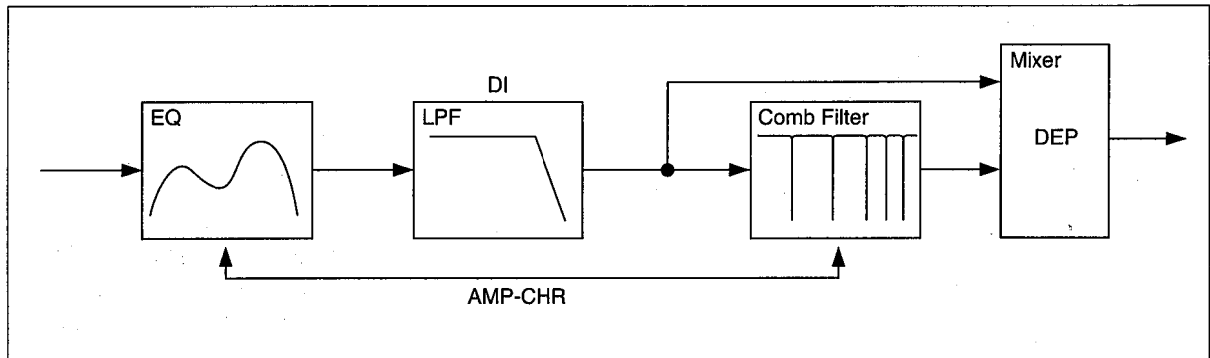
Hinweise:

- Amp Charakter** Welches Verstärkerl hätten's denn gern?
 - STK-M1** Klassischer "Turm-Sound".
 - STK-M2** Kraftvoller Dreiweg-Verstärker.
 - THRASH** Der typische und beliebte Thrash-Sound.
 - MIDBOOST** Vor allem gut für "mittige" Sounds.
 - CMB-PG** Nachempfindung eines Yamaha PG1, früher ein beliebter Vorverstärker.
 - CMB-VR** Nachempfindung eines VR6000.
 - CMB-DX** Klassischer Combo-Verstärker mit offener Rückseite und herausragendem Lautsprecher.
 - CMB-TWN** Typischer Combo-Sound "made in USA".
 - MINIAMP** Kleinstverstärker mit einer Leistung nicht über 10W.
- Depth** Hiermit bestimmen Sie den Anteil des Amp Simulators am Gesamt-Sound.
- DI Filter** Können Sie nach Belieben ein- oder ausschalten (siehe unten).

Hinweis für DI-Anwendungen

Das FX770 bietet ein DI-Filter, daß ungefähr die gleiche Klangfarbe hat wie ein Lautsprecher. Wenn Sie mit dem FX770 "direkt ins Pult gehen" oder wenn Sie Full Range Lautsprecher verwenden (was vor allem im Studio der Fall sein dürfte), können Sie diesen Effekt einsetzen, um die Höhen zu filtern, die der Lautsprecher eines Verstärkers in der Regel unter den Tisch fallen läßt.

Dieser Effekt eignet sich vor allem für Programme, die im Grunde Nachempfindungen von Röhren-Sounds sind. Schalten Sie den DI-Effekt aus, wenn Sie das FX770 live einsetzen oder wenn Sie es an einen Gitarrenverstärker anschließen. Daheim oder im Studio hingegen (sofern Sie direkt ins Pult gehen) sollten Sie diesen Effekt jedoch einschalten, wenn Sie typische Gitarren-Sounds zu schätzen wissen.



7.1.6 Pitch-Effekte

Auch hier bietet das FX770 zwei Effekttypen: Stereo Pitch Change und Pitch Chorus. Mit dem Stereo Pitch-Effekt können Sie verschiedene Transpositionen für den rechten und linken Kanal einstellen (Einstellbereich: bis zu einer Oktave höher oder tiefer). Außerdem ist dieser Effekt mit einer Verstimmungsfunktion (Fine) ausgestattet. Der Pitch Chorus-Effekt hingegen ist vor allem für den typischen Stereo-Sound gedacht (Leute, die es wissen können, nennen dies auch einen "Breitmacher"). Der Pitch Chorus und seine kurzen Verzögerungswerte eignen sich auch für Gitarrensoli, die durchaus breiter werden.

Typ 1: SPI (Stereo Pitch Change)

Display-Seite 1

```
SPI PCL PFL VoIL
  XXX XXX XXX
```

Display-Seite 2

```
SPI PCR PFR VoIR
  XXX XXX XXX
```

Display-Seite 3

```
SPI WID MIX LVL
  XX XXX XXX
```

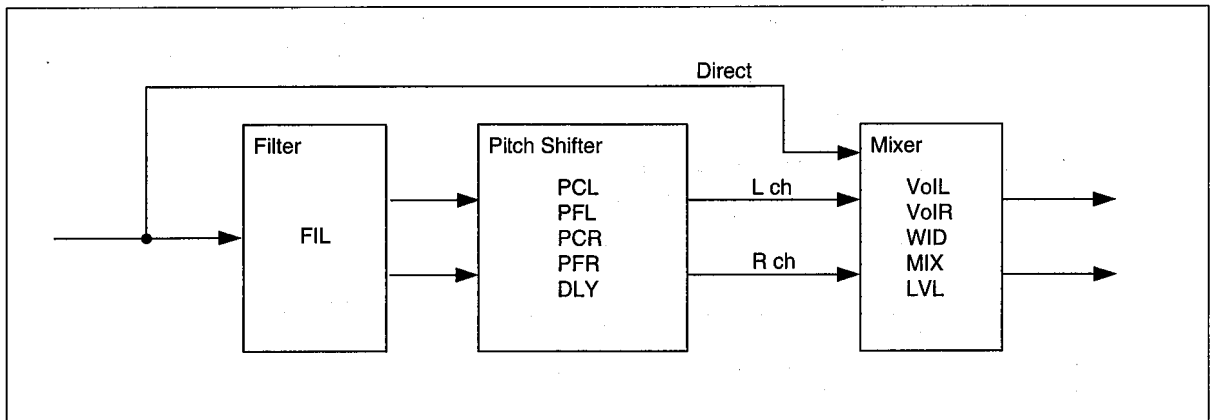
Display-Seite 4

```
SPI DLY FIL KEY
  XX.X XXX XXX
```

Parameter #	Name	Funktion	Wert/Einstellbereich
Parameter 1	PCL	Tonhöhenänderung Links	-12 ~ +12 [Halbtöne]
Parameter 2	PFL	Verstimmung Links	-99 ~ +99 [Cent]
Parameter 3	VoIL	Lautstärke Links	0 ~ 100
Parameter 4	PCR	Tonhöhenänderung Rechts	-12 ~ +12
Parameter 5	PFR	Verstimmung Rechts	-99 ~ +99
Parameter 6	VoIR	Lautstärke Rechts	0 ~ 100
Parameter 7	WID	"Breite" des Panoramas	0 ~ 10
Parameter 8	MIX	Verhältnis	0 ~ 100 [%]
Parameter 9	LVL	Ausgangspegel	-∞, -30 ~ +6 [dB]
Parameter 10	DLY	Verzögerungszeit	0.1 ~ 50.0 [msec]
Parameter 11	FIL	Filter	-30 ~ +10
Parameter 12	KEY	MIDI-Note	OFF, C1 ~ C6

Hinweise:

Tonhöhenänderung Links	Grobe Tonhöhenänderung (Transposition) für den linken Kanal.
Verstimmung Links	Verstimmung des linken Kanals.
Lautstärke Links	Lautstärke des linken Kanals.
Pitch Change Rechts	Grobe Tonhöhenänderung (Transposition) für den rechten Kanal.
Verstimmung Rechts	Verstimmung des rechten Kanals.
Lautstärke Rechts	Lautstärke des rechten Kanals.
Breite	Weite des Stereobildes.
Verhältnis	Verhältnis zwischen dem Originalsignal (0) und dem Effekt (100%)
Ausgangspegel	Ausgangspegel dieses Effektblocks
Verzögerungszeit	Verzögerungszeit der linken und rechten Transposition.
Filter	Eine Arte Klangregelung für den Pitch-Effekt.
MIDI-Note	Wert des via MIDI eingehenden Note-an Befehls, mit dem Sie den PCL- und PCR-Wert ändern können. Die Differenz zwischen dem hier eingestellten Wert und dem empfangenen Note-an Befehl ist dann der neue Tonhöhenänderungswert (für beide Kanäle).



Typ 2: PCH (Pitch Chorus)

Display-Seite 1

Display-Seite 2

```
PCH DEP MIX LVL
  XXX XXX XXX
```

```
PCH      DLY FIL
      XX.X XXX
```

Parameter #	Name	Funktion	Wert/Einstellbereich
Parameter 1	DEP	Effektintensität	0 ~ 100 [%]
Parameter 2	MIX	Verhältnis	0 ~ 100 [%]
Parameter 3	LVL	Ausgangspegel	-∞, -30 ~ +6 [dB]
Parameter 4	DLY	Verzögerungszeit	0.1 ~ 50.0 [msec]
Parameter 5	FIL	Filter	-10 ~ +10

Hinweise:

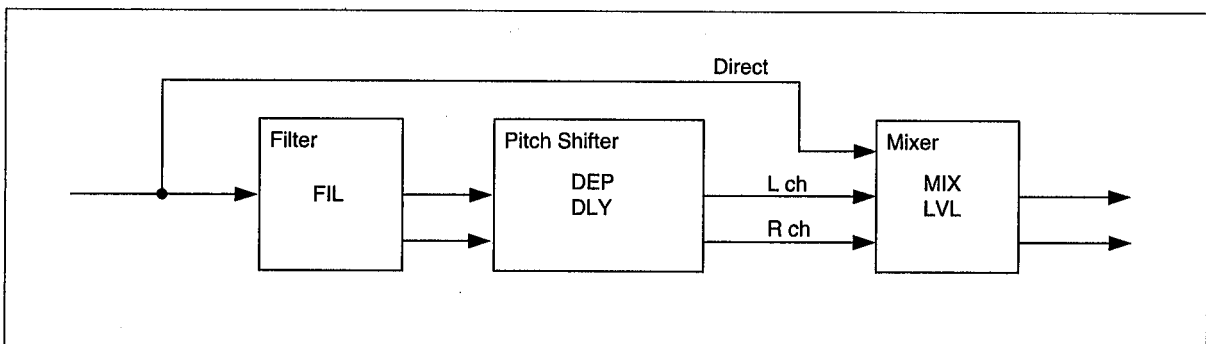
Effektintensität Die Verstimmung des Chorus-Effekts.

Verhältnis Balance zwischen dem unbearbeiteten Signal und dem Chorus-Effekt (der Wert 100% bedeutet, daß nur noch das Chorus-Signal ausgegeben wird).

Ausgangspegel Ausgangspegel dieses Effektblocks

Verzögerungszeit Verzögerungszeit des Pitch Chorus.

Filter Eine Art Klangregelung für den Pitch-Effekt.



7.1.7 Modulationseffekte (MOD)

Das FX770 ist mit sieben Modulationseffekten ausgestattet: Stereo Chorus, Stereo Flanger, Symphonic, Rotary Speaker, Auto Pan, Tremolo und Resonator. Jeder dieser Effekte macht Ihren Sound auf jeden Fall interessanter und lebendiger.

Chorus

Der Chorus-Effekt wird sowohl von Gitarristen, die dem Reinheitsgebot frönen, als auch von modernen Zupfern geschätzt. Dieser Chorus-Effekt ist ausgesprochen vielseitig und flexibel, so daß Sie selbst bestimmen, wie der Chorus schließlich und endlich klingt.

Typ 1: CHO (Stereo Chorus)

Display-Seite 1

```
CHO SPD PMD AMD
  XX.X XXX XXX
```

Display-Seite 2

```
CHO WID MIX LVL
  XX XXX XXX
```

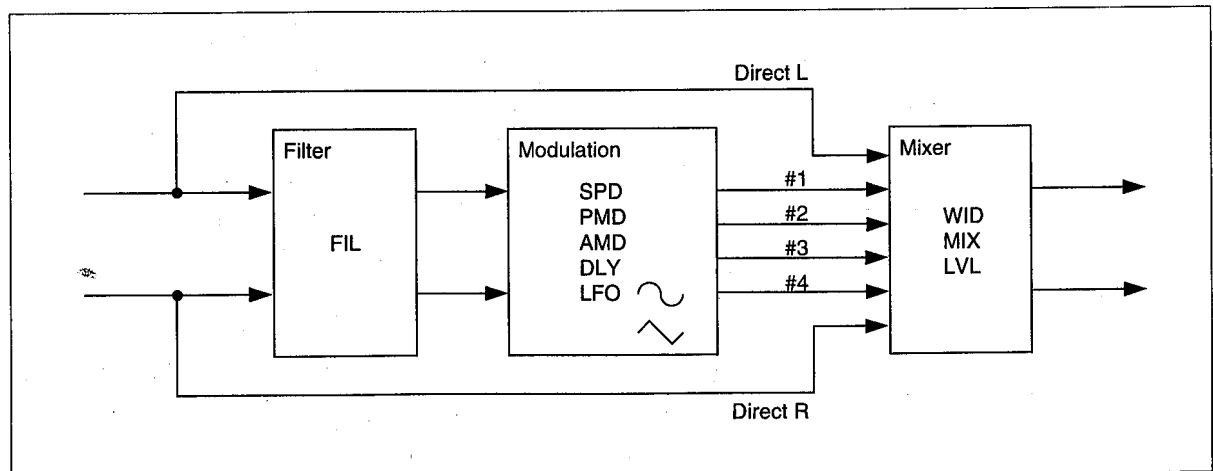
Display-Seite 3

```
CHO DLY LFO FIL
  XXX.X XXX XXX
```

Parameter #	Name	Funktion	Wert/Einstellbereich
Parameter 1	SPD	Modulationsgeschwindigkeit	0.1 ~ 20.0 [Hz]
Parameter 2	PMD	Tonhöhenmodulation	0 ~ 100 [%]
Parameter 3	AMD	Amplitudenmodulationsintensität	0 ~ 100 [%]
Parameter 4	WID	Breite	0 ~ 10
Parameter 5	MIX	Verhältnis	0 ~ 100 [%]
Parameter 6	LVL	Ausgangspegel	-∞, -30 ~ +6 [dB]
Parameter 7	DLY	Verzögerungszeit	0.1 ~ 100.0 [msec]
Parameter 8	LFO	LFO Wellenform	TRI, SIN
Parameter 9	FIL	Filter	-10 ~ +10

Hinweise:

- Modulationsgeschwindigkeit** Die LFO-Geschwindigkeit der Modulation, die natürlich auch die Geschwindigkeit des Effekts bestimmt.
- Tonhöhenmodulation** Intensität der Tonhöhenmodulation.
- Amplitudenmodulation** Intensität der Amplitudenmodulation (Lautstärke).
- Breite** Hiermit programmieren sie die Breite des Effekts.
- Verhältnis** Verhältnis zwischen dem unbearbeiteten Signal und dem Chorus-Effekt (der Wert 100% bedeutet, daß nur noch das Effektsignal hörbar ist.)
- Ausgangspegel** Ausgangspegel dieses Effektblocks.
- Verzögerungszeit** Verzögerungszeit der Modulation.
- LFO Wellenform** Hiermit wählen Sie eine Wellenform für den LFO: Dreieck (TRI) oder Sinus (SIN).
- Filter** Eine Art Klangregelung für den Chorus.



Stereo Flanger

Flanger sind sowohl wegen ihrer sanften Wirbel als auch ob ihrer "Düsenjäger-effekte" beliebt. Kaum zu glauben, daß dieser Effekt in den Sechzigern eher zufällig entdeckt wurde. Auch heutzutage hat er noch nicht ausgedient: Der Stereo Flanger des FX770 ist ein wahrhaft stattliches Exemplar seiner Gattung.

Typ 2: FLG (Stereo Flanger)

Display-Seite 1

```

FLG      SPD DEP
      XX.X XXX
    
```

Display-Seite 2

```

FLG DLY FB WID
  XXX.X XXX XX
    
```

Display-Seite 3

```

FLG      MIX LVL
      XXX XXX
    
```

Display-Seite 4

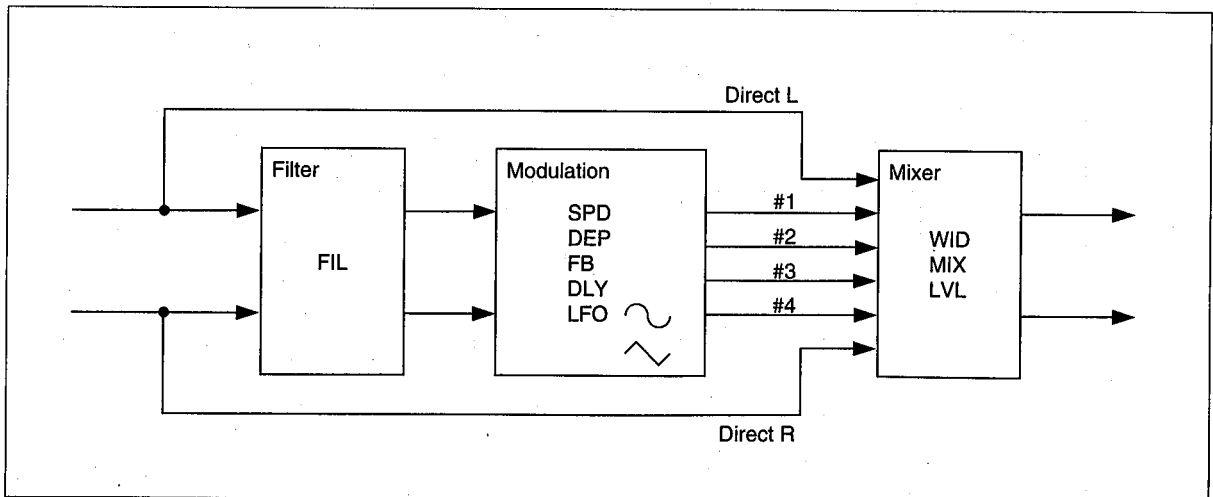
```

FLG      LFO FIL
      XXX XXX
    
```

Parameter #	Name	Funktion	Wert/Einstellbereich
Parameter 1	SPD	Modulationsgeschwindigkeit	0.1 ~ 20.0 [Hz]
Parameter 2	DEP	Modulationsintensität	0 ~ 100 [%]
Parameter 3	DLY	Verzögerungszeit	0.1 ~ 100.0 [msec]
Parameter 4	FB	Rückkopplung	0 ~ 100 [%]
Parameter 5	WID	Breite	0 ~ 10
Parameter 6	MIX	Verhältnis	0 ~ 100 [%]
Parameter 7	LVL	Ausgangspegel	-∞, -30 ~ +6 [dB]
Parameter 8	LFO	LFO Wellenform	TRI, SIN
Parameter 9	FIL	Filter	-10 ~ +10

Hinweise:

- Modulationsgeschwindigkeit** Die LFO-Geschwindigkeit der Modulation, die natürlich auch die Geschwindigkeit des Effekts bestimmt.
- Modulationsintensität** Modulationsintensität.
- Verzögerungszeit** Verzögerungszeit des modulierten Signals. Hiermit programmieren Sie die Tiefe des Effekts.
- Rückkopplung** Pegel, der noch einmal an den Effekt angelegt wird. Regelt die Klangfarbe.
- Breite** Hiermit programmieren sie die Breite des Effekts.
- Verhältnis** Verhältnis zwischen dem unbearbeiteten Signal und dem Flanger-Effekt (der Wert 100% bedeutet, daß nur noch das Effektsignal hörbar ist.)
- Ausgangspegel** Ausgangspegel dieses Effektsblocks.
- LFO Wellenform** Hiermit wählen Sie eine Wellenform für den LFO: Dreieck (TRI) oder Sinus (SIN).
- Filter** Eine Art Klangregelung für den Flanger.



Symphonic

Dieser Effekt aus der Zeit, in der das SPX-90 noch neu war, ist immer noch der letzte Stand der Modulationsdinge. Verleiht dem Signal Transparenz.

Typ 3: SYM (Symphonic)

Display-Seite 1

```
SYM   SPD DEP
      .x.x .xxx
```

Display-Seite 2

```
SYM  WID MIX LVL
      .x .xxx .xxx
```

Display-Seite 3

```
SYM   DLY FIL
      .x.x .xxx
```

Parameter #	Name	Funktion	Wert/Einstellbereich
Parameter 1	SPD	Modulationsgeschwindigkeit	0.1 ~ 20.0 [Hz]
Parameter 2	DEP	Modulationsintensität	0 ~ 100 [%]
Parameter 3	WID	Breite	0 ~ 10
Parameter 4	MIX	Verhältnis	0 ~ 100 [%]
Parameter 5	LVL	Ausgangspegel	-∞, -30 ~ +6 [dB]
Parameter 6	DLY	Verzögerungszeit	0.1 ~ 100.0 [msec]
Parameter 7	FIL	Filter	-10 ~ +10

Hinweise:

Modulationsgeschwindigkeit Die LFO-Geschwindigkeit der Modulation, die natürlich auch die Geschwindigkeit des Effekts bestimmt.

Modulationsintensität Intensität des Modulation.

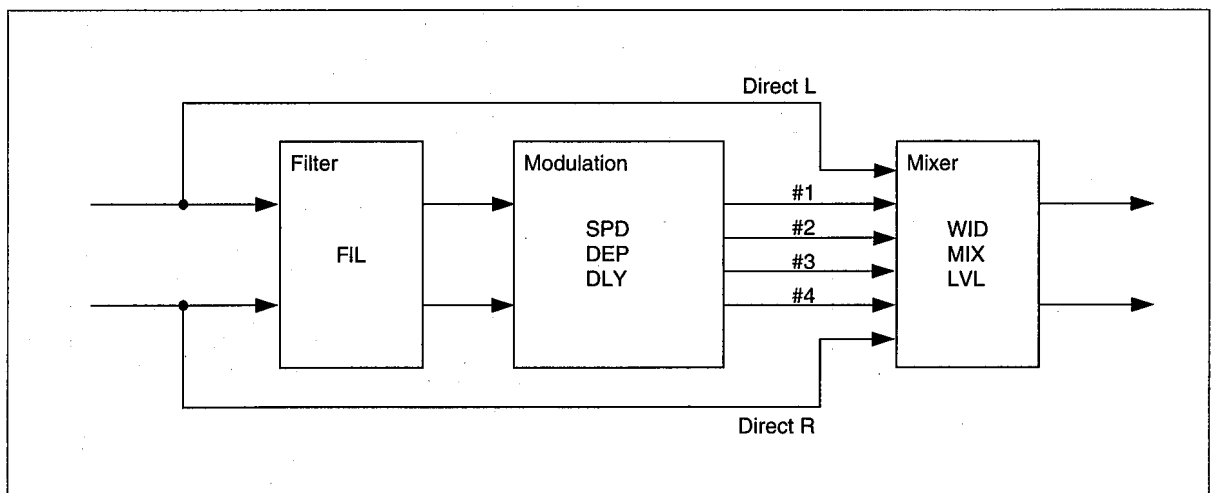
Breite Hiermit programmieren sie die Breite des Effekts.

Verhältnis Verhältnis zwischen dem unbearbeiteten Signal und dem Symphonic-Effekts (der Wert 100% bedeutet, daß nur noch das Effektsignal hörbar ist.)

Ausgangspegel Ausgangspegel dieses Effektblocks.

Verzögerungszeit Verzögerungszeit der Modulation.

Filter Eine Art Klangregelung für den Symphonic-Effekt.



Rotary Speaker

Irgendwann (es muß schon ziemlich spät gewesen sein) kam dann ein Gitarrist auf die Idee seine Klampfe an den Orgelverstärker des Keyboarders zu hängen. Das Ergebnis war so zufriedenstellend, daß auch andere Gitarristen sich dieses Effekts bedienten, weil das Signal dadurch sehr lebendig wurde. Auch heutzutage erfreut sich dieser Effekt noch allgemeiner Beliebtheit, weshalb wir auch beim FX770 nicht darauf verzichten mochten.

Typ 4: ROT (Rotary Speaker)

Display-Seite 1

```

ROT MODE MIX LVL
  XXXX XXX XXX
    
```

Display-Seite 2

```

ROT   SLOW FAST
     X.X X.X
    
```

Display-Seite 3

```

ROT   RATE FIL
     XX XXX
    
```

Parameter #	Name	Funktion	Wert/Einstellbereich
Parameter 1	MODE	Geschwindigkeit	Stop, Slow, Fast
Parameter 2	MIX	Verhältnis	0 ~ 100 [%]
Parameter 3	LVL	Ausgangspegel	-∞, -30 ~ +6 [dB]
Parameter 4	SLOW	Slow-Geschwindigkeit	0.1 ~ 5.3 [Hz]
Parameter 5	FAST	Fast-Geschwindigkeit	0.1 ~ 5.3 [Hz]
Parameter 6	RATE	Geschwindigkeitsänderung	0 ~ 10
Parameter 7	FIL	Filter	-10 ~ +10

Hinweise:

Geschwindigkeit Hiermit wählen Sie die Geschwindigkeit des Rotary-Effekts (Off, Slow oder Fast). Mit einem Fußtaster können Sie übrigens hin- und herschalten zwischen diesen Werten.

Verhältnis Verhältnis zwischen dem unbearbeiteten Signal und dem Effekt (der Wert 100% bedeutet, daß nur noch das Effektsignal hörbar ist.)

Ausgangspegel Ausgangspegel dieses Effektblocks

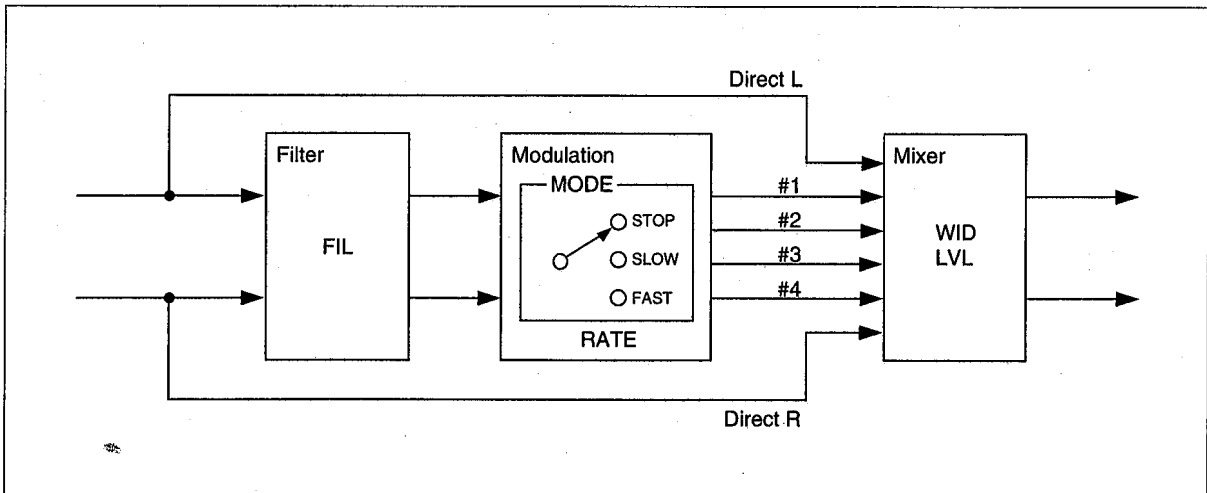
Slow Mode Geschwindigkeit Geschwindigkeit für den Slow Mode

Fast Mode Geschwindigkeit Geschwindigkeit für den Fast Mode

Rate Die Übergangsgeschwindigkeit zwischen dem Slow- und dem Fast-Betrieb (und umgekehrt).

Filter Eine Art Klangregelung für den Rotary Speaker-Effekt.

Den Mode-Parameter können Sie auch mit einem an FS2 angeschlossenen Fußtaster ansteuern. Durch betätigen dieses Taster wählen Sie abwechselnd Stop → Slow → Fast → Stop usw.



Panning-Effekte

P-A-N-N-I-N-G! (O-Ton englische Bedienungsanleitung). Welch wundersame Art, das Signal in alle vier Winde zu streuen (immer noch O-Ton). Ob Sie lediglich an einem Wirbeleffekt für Ballads oder an ausgefallenen Stereo-Effekten interessiert sind – alles geht mit diesem Auto Pan!

Typ 5: PAN (AUTO PAN)

Display-Seite 1

```
PAN  TEMPO NOTE
  | =xxx (xx)
```

Display-Seite 2

```
PAN  DEP MIX LVL
  xxx xxx xxx
```

Display-Seite 3

```
PAN  TRG DIR LFO
  xxxx xxx xxx
```

Display-Seite 4

```
PAN          FIL
             xxx
```

Parameter #	Name	Funktion	Wert/Einstellbereich
Parameter 1	TEMPO	Tempo	♩=50 ~ 250
Parameter 2	NOTE	Notenwert	♩, ♪, ♫, ♬, ♭, ♮, ♯, ♭♭, ♯♯
Parameter 3	DEP	Modulationsintensität	0 ~ 100 [%]
Parameter 4	MIX	Verhältnis	0 ~ 100 [%]
Parameter 5	LVL	Ausgangspegel	-∞, -30 ~ +6 [dB]
Parameter 6	TRG	Trigger	OFF, FS2, MIDI
Parameter 7	DIR	Richtung	L→R, L←R, L↔R
Parameter 8	LFO	LFO Wellenform	TRI, SIN, SQR
Parameter 9	FIL	Filter	-10 ~ +10

Hinweise:

Tempo

Tempo des Auto Panning-Effekts.

Notenwert

Notenwert der Temposynchronisation.

Modulationsintensität

Intensität der Panning-Modulation.

Verhältnis

Verhältnis zwischen dem unbearbeiteten Signal und dem Panning-Effekt (der Wert 100% bedeutet, daß nur noch das Effektsignal hörbar ist.)

Ausgangspegel

Ausgangspegel dieses Effektblocks

Trigger

Anzahl der Quelle, mit der das Tempo geändert werden kann. Den Tempowert kann man mit einem Fußtaster (FS2) oder via MIDI ändern (MIDI).

Richtung

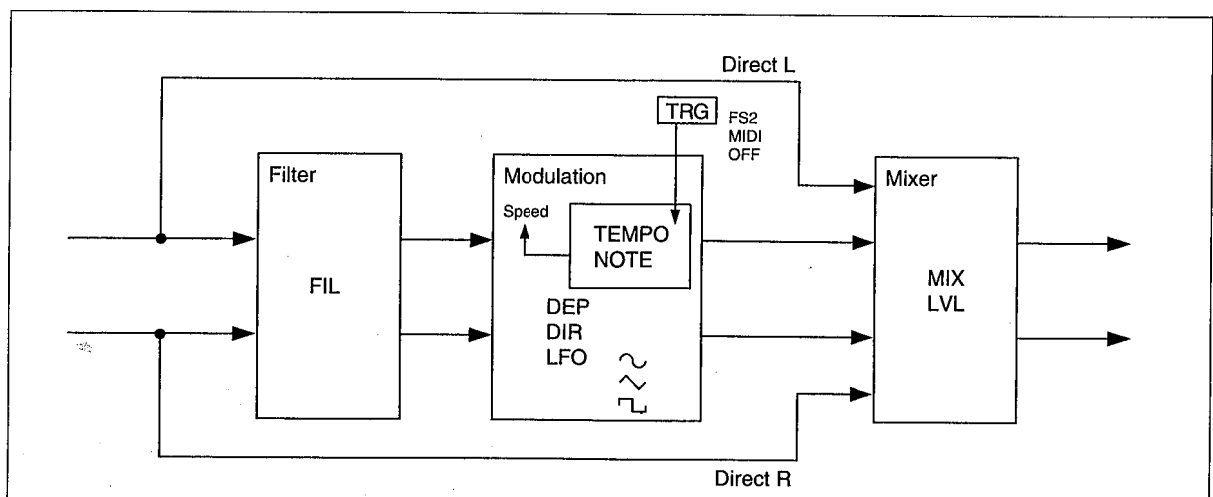
Richtung des Panning-Effekts.

LFO Wellenform

LFO- Wellenform des Panning-Effekts: Dreieck (TRI), Sinus (SIN) oder SQR.

Filter

Eine Art Klangregelung für den Panning Effekt.



Tremolo

Es waren einmal Zeiten, in denen gar jeder Verstärkerhersteller seine lieblichen Geräte mit einem Tremolo-Effekt ausstattete. Jahre später erinnerte man sich bei der Entwicklung des FX770 an diesen Effekt und raffte sich sogar dazu auf, die Tremologeschwindigkeit extern steuerbar zu gestalten. Nun denn, alles groovy!

Typ 6: TRM (Tremolo)

Display-Seite 1

```
TRM-  TEMPO NOTE
      ↓=xxx (xx)
```

Display-Seite 2

```
TRM  DEP MIX LVL
      xxx xxx xxx
```

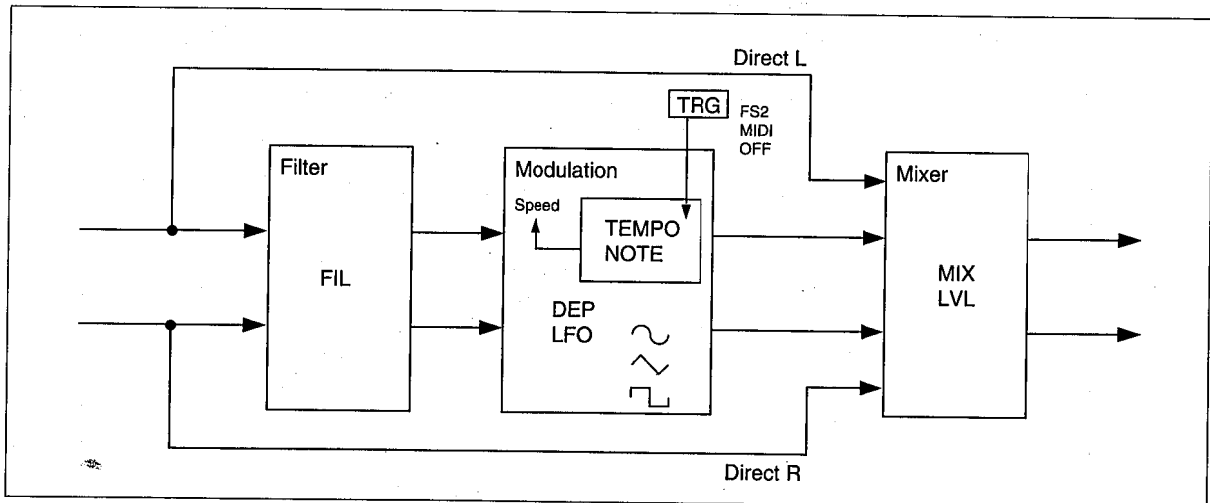
Display-Seite 3

```
TRM  TRG LFO FIL
      xxxx xxx xxx
```

Parameter #	Name	Funktion	Wert/Einstellbereich
Parameter 1	TEMPO	Tempo	♩=50 ~ 250
Parameter 2	NOTE	Notenwert	♪, ♪, ♫, ♩, ♫, ♩, ♩, ♩
Parameter 3	DEP	Modulationsintensität	0 ~ 100 [%]
Parameter 4	MIX	Verhältnis	0 ~ 100 [%]
Parameter 5	LVL	Ausgangspegel	-∞, -30 ~ +6 [dB]
Parameter 6	TRG	Trigger	OFF, FS2, MIDI
Parameter 7	LFO	LFO Wellenform	TRI, SIN, SQR
Parameter 8	FIL	Filter	-10 ~ +10

Hinweise:

- Tempo** Tempo des Tremolo-Effekts.
- Notenwert** Notenwert für die Tremolo-Synchronisation.
- Modulationsintensität** Intensität des Tremolo-Modulation.
- Verhältnis** Verhältnis zwischen dem unbearbeiteten Signal und dem Tremolo-Effekt (der Wert 100% bedeutet, daß nur noch das Effektsignal hörbar ist.)
- Ausgangspegel** Ausgangspegel dieses Effektblocks
- Trigger** Anwahl der Quelle, mit der das Tempo geändert werden kann. Den Tempowert kann man mit einem Fußtaster (FS2) oder via MIDI ändern (MIDI).
- LFO Wellenform** LFO-Wellenform: Dreieck (TRI), Sinus (SIN) oder Rechteck (SQR).
- Filter** Eine Art Klangregelung für den Tremolo-Effekt.



Resonator

Alle bis jetzt behandelten Effekte sind eher als Klassiker einzustufen. So langsam wird also Zeit für etwas Neues. Der Resonator ist ein Modulationseffekt, der einem Flanger ähnelt. Hier kann jedoch sowohl die Tonhöhe des Wirbels als auch die Empfindlichkeit programmiert werden. Ihre Art zu spielen ist also ein wichtiger Bestandteil dieses Effekts.

Typ 7: RES (Resonator)

Display-Seite 1

```
RES SEN RES MODE
  XX XXX XXXX
```

Display-Seite 2

```
RES      MIX LVL
          XXX XXX
```

Display-Seite 3

```
RES      FIL
          XXX
```

Parameter #	Name	Funktion	Wert/Einstellbereich
Parameter 1	SEN	Empfindlichkeit	0 ~ 8
Parameter 2	RES	Resonanz	0 ~ 100
Parameter 3	MODE	Effektmodus	DOWN, UP
Parameter 4	MIX	Verhältnis	0 ~ 100 [%]
Parameter 5	LVL	Ausgangspegel	-∞, -30 ~ +6 [dB]
Parameter 6	FIL	Filter	-10 ~ +10

Hinweise:

Empfindlichkeit Empfindlichkeit des Auslösers für diesen Effekt.

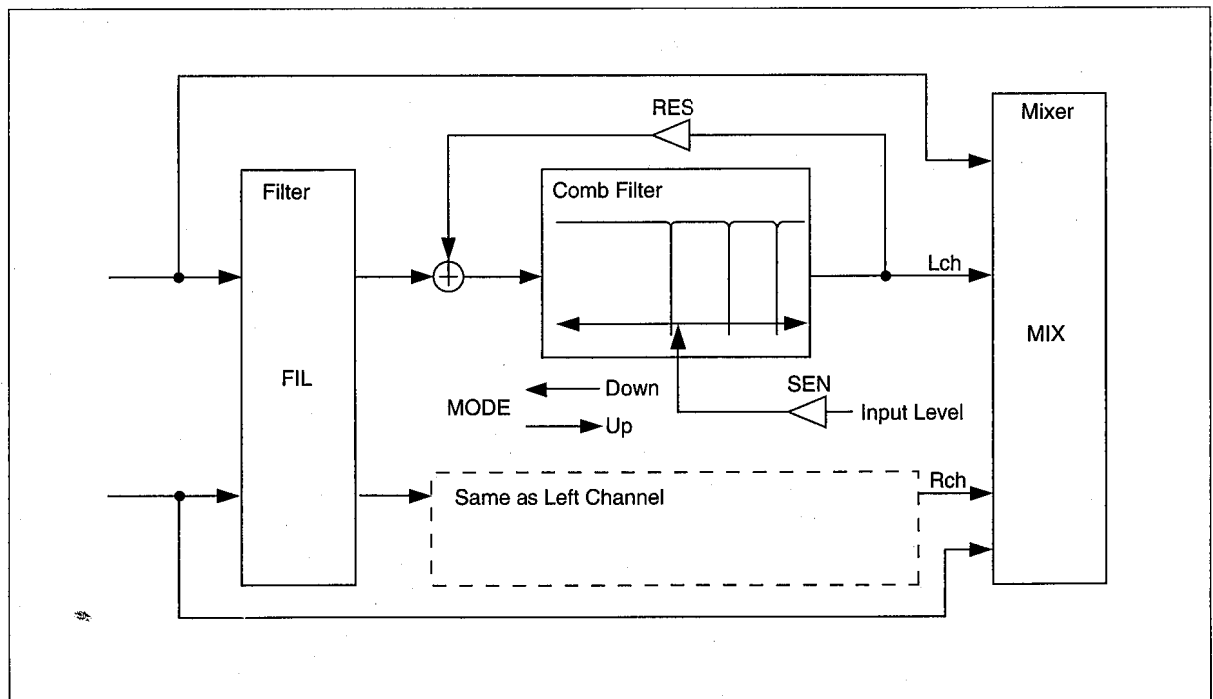
Resonanz Resonanztiefe

Effektmodus Hiermit wählen Sie, ob der Wirbel steigt oder fällt, wenn Sie die Saiten leichter anschlagen.

Verhältnis Verhältnis zwischen dem unbearbeiteten Signal und dem Effektsignal (der Wert 100% bedeutet, daß nur noch das Effektsignal hörbar ist.)

Ausgangspegel Ausgangspegel dieses Effektblocks

Filter Eine Art Klangregelung für den Resonator.



7.1.8 Delay

Das FX770 enthält nicht weniger als acht Delay-Effekte: Delay 1, Delay 2, Modulation Delay, Tempo Delay 1, Tempo Delay 2, Tempo Modulation Delay, Multi-Tap Delay und Ducking Delay. Alles, was gut und teuer (und vor allem mono und stereo) ist sowie modulierbare Delay-Effekte, sind vorhanden.

Die Wiederholungen klingen übrigens natürlich ab, wenn Sie anschließend ein anderes Effektprogramm anwählen.

Delay 1

Konventioneller, einfacher Delay-Effekt. Oftmals ist dieser Effekt der am besten geeignete. Sowohl die Verzögerungszeit als auch der Rückkopplungsgrad sind einstellbar.

Typ 1: DL1 (Delay 1)

Display-Seite 1

```
DL1      DLY  FB
      xxx.x  xxx
```

Display-Seite 2

```
DL1      MIX  LVL
      xxx  xxx
```

Display-Seite 3

```
DL1      DEF  L/R  HF
      xx  xxx  xx
```

Parameter #	Name	Funktion	Wert/Einstellbereich
Parameter 1	DLY	Verzögerungszeit	0.1 ~ 670.0 [msec]
Parameter 2	FB	Rückkopplung	0 ~ 100 [%]
Parameter 3	MIX	Verhältnis	0 ~ 100 [%]
Parameter 4	LVL	Ausgangspegel	$-\infty$, -30 ~ +6 [dB]
Parameter 5	DEF	Diffusion	0 ~ 10
Parameter 6	L/R	Links/Rechts Verhältnis	L50 ~ L=R ~ R50
Parameter 7	HF	Höhenanteil	1 ~ 10

Hinweise:

Verzögerungszeit

Zeitraum zwischen den Wiederholungen.

Rückkopplung

Anzahl Wiederholungen.

Verhältnis

Verhältnis zwischen dem unbearbeiteten Signal und dem Delay-Effekt (der Wert 100% bedeutet, daß nur noch das Effektsignal hörbar ist.)

Ausgangspegel

Ausgangspegel dieses Effektblocks

Diffusion

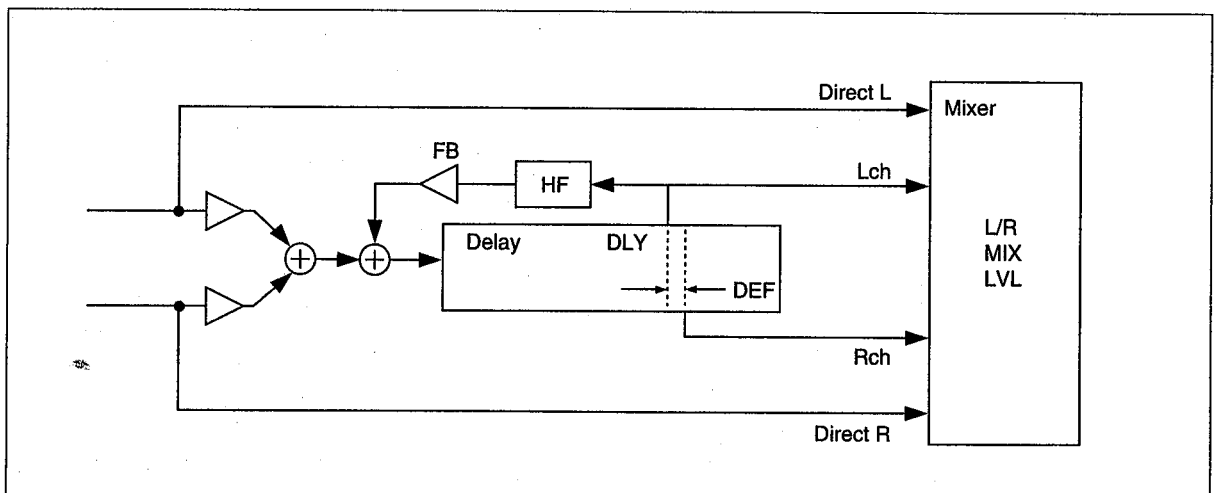
Hier wählen Sie den Wiederholungscharakter.

Links/Rechts Verhältnis

Stereoposition des Delay-Effekts, wenn er wegen eines hohen DEF-Wertes unausgewogen erscheint.

Höhenanteil

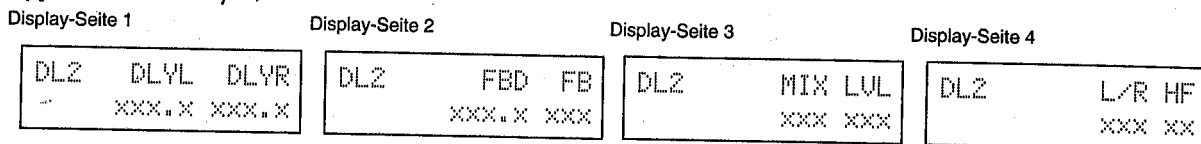
Eine Art "Bandecho-EQ" für Delay-Effekte. Je größer dieser Wert, desto natürlicher der Echoeffekt.



Delay 2

Dieser Delay-Effekt ist separat einstellbar für den linken und rechten Kanal. Mit einem bißchen Übung können Sie mit Delay 2 sowohl Stereo-Delays als auch Ping-Pong Effekte aufs Band (oder in den Saal) zaubern.

Typ 2: DL2 (Delay 2)



Parameter #	Name	Funktion	Wert/Einstellbereich
Parameter 1	DLYL	Verzögerungszeit links	0.1 ~ 670.0 [msec]
Parameter 2	DLYR	Verzögerungszeit rechts	0.1 ~ 670.0 [msec]
Parameter 3	FBD	Rückkopplungszeit	0.1 ~ 670.0 [msec]
Parameter 4	FB	Rückkopplung	0 ~ 100 [%]
Parameter 5	MIX	Verhältnis	0 ~ 100 [%]
Parameter 6	LVL	Ausgangspegel	-∞, -30 ~ +6 [dB]
Parameter 7	L/R	Links/Rechts Verhältnis	L50 ~ L=R ~ R50
Parameter 8	HF	Höhenanteil	1 ~ 10

Hinweise:

Verzögerungszeit links Wiederholungsgeschwindigkeit für den linken Kanal.
Verzögerungszeit rechts Wiederholungsgeschwindigkeit für den rechten Kanal.

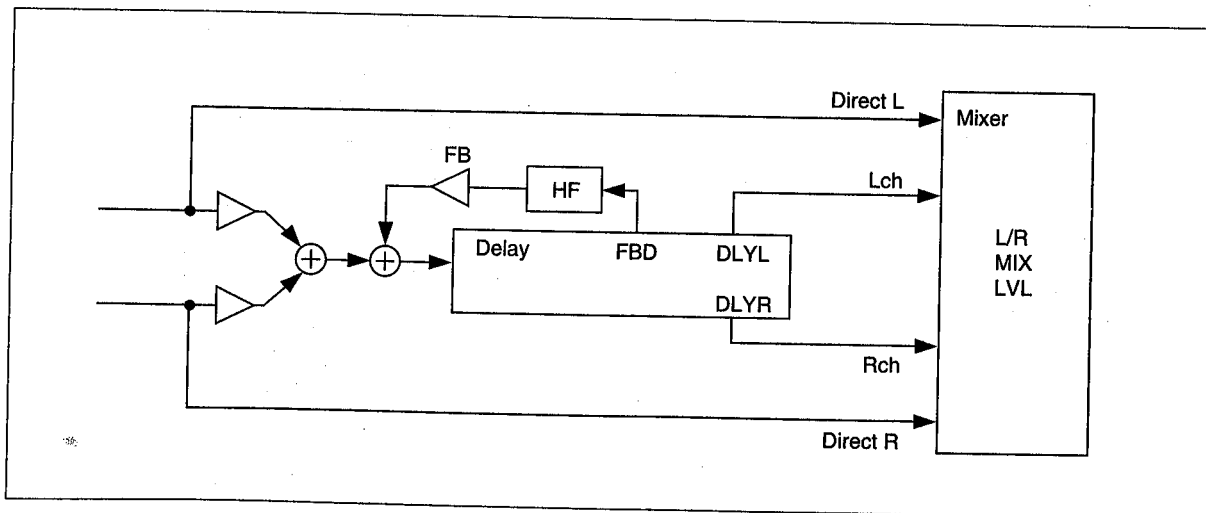
FB Verzögerungszeit Wiederholungsgeschwindigkeit für die Rückkopplung.
Rückkopplung Anzahl Wiederholungen.

Verhältnis Verhältnis zwischen dem unbearbeiteten Signal und dem Delay-Effekt (der Wert 100% bedeutet, daß nur noch das Effektsignal hörbar ist.)

Ausgangspegel Ausgangspegel dieses Effektblocks

Links/Rechts Verhältnis Stereoposition des Delay-Effekts, wenn er unausgewogen erscheint zwischen dem linken und dem rechten Kanal.

Höhenanteil Eine Art "Bandecho-EQ" für Delay-Effekte. Je größer dieser Wert, desto natürlicher der Echoeffekt.



Modulation Delay

Hierbei handelt es sich um Delays, die sich zu bewegen scheinen oder die moduliert werden. Ab sofort gehören sie genauso zu Ihrem Sound wie Ihre Gitarre.

Typ 3: MDL (Modulation Delay)

Display-Seite 1

```
MDL      DLY  FB
  "XXX.X XXX"
```

Display-Seite 2

```
MDL      SPD DEP
  XX.X XXX
```

Display-Seite 3

```
MDL      MIX LVL
  XXX XXX
```

Display-Seite 4

```
MDL      HF
  XX
```

Parameter #	Name	Funktion	Wert/Einstellbereich
Parameter 1	DLY	Verzögerungszeit	0.1 ~ 670.0 [msec]
Parameter 2	FB	Rückkopplung	0 ~ 100 [%]
Parameter 3	SPD	Modulationsgeschwindigkeit	0.1 ~ 20.0 [Hz]
Parameter 4	DEP	Modulationsintensität	0 ~ 100 [%]
Parameter 5	MIX	Verhältnis	0 ~ 100 [%]
Parameter 6	LVL	Ausgangspegel	-∞, -30 ~ +6 [dB]
Parameter 7	HF	Höhenanteil	1 ~ 10

Hinweise:

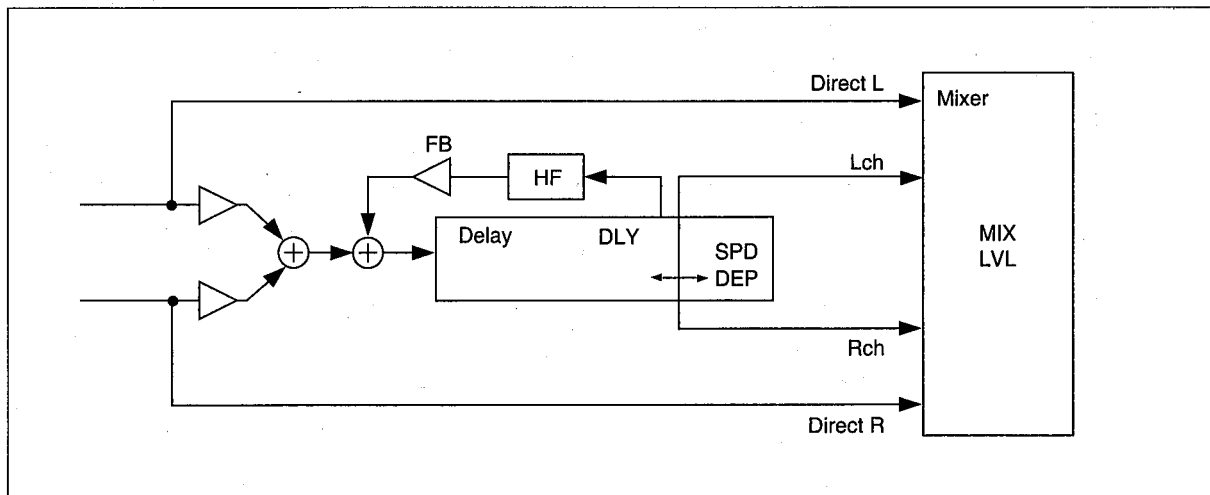
Verzögerungszeit Zeitraum zwischen den Wiederholungen.
Rückkopplung Anzahl Wiederholungen.

Modulationsgeschwindigkeit Geschwindigkeit des Modulationseffekts.
Modulationsintensität Intensität der Effektmodulation.

Verhältnis Verhältnis zwischen dem unbearbeiteten Signal und dem Delay-Effekt (der Wert 100% bedeutet, daß nur noch das Effektsignal hörbar ist.)

Ausgangspegel Ausgangspegel dieses Effektblocks

Höhenanteil Eine Art "Bandecho-EQ" für Delay-Effekte. Je größer dieser Wert, desto natürlicher der Echoeffekt.



Tempo Delay 1

Haben Sie jemals den amtlichen Delay-Wert ausgerechnet oder werden Sie von einem Schlagzeuger geplagt, der im Eifer des Gefechts auch schon einmal etwas schneller spielt als vorgesehen? Mit an Sicherheit grenzender Wahrscheinlichkeit. Darum bietet das FX770 auch einen Tempo Delay-Effekt. Praktisch im Studio (weil Sie dann wirklich bundesligareif klingen) und noch besser für den Live-Einsatz, weil Sie das Tempo per Fuß programmieren können. Na wenn das nichts ist...

Typ.4: TD1 (Tempo Delay 1)

Display-Seite 1

```
TD1  TEMPO NOTE
      J=xxx (xx)
```

Display-Seite 2

```
TD1  FB MIX LVL
      xxx xxx xxx
```

Display-Seite 3

```
TD1  TRG DEF L/R
      xxxx xx xxx
```

Display-Seite 4

```
TD1                                     HF
                                         xx
```

Parameter #	Name	Funktion	Wert/Einstellbereich
Parameter 1	TEMPO	Tempoanwahl	♩=50 ~ 250
Parameter 2	NOTE	Notenwert	♩, ♩ ₃ , ♩, ♩ ₃ , ♩, ♩
Parameter 3	FB	Rückkopplung	0 ~ 100 [%]
Parameter 4	MIX	Verhältnis	0 ~ 100 [%]
Parameter 5	LVL	Ausgangspegel	-∞, -30 ~ +6 [dB]
Parameter 6	TRG	Trigger	OFF, FS2, MIDI
Parameter 7	DEF	Diffusion	0 ~ 10
Parameter 8	L/R	Links/Rechts Verhältnis	L50 ~ L=R ~ R50
Parameter 9	HF	Höhenanteil	1 ~ 10

Hinweise:

Tempo

Hier stellen Sie das Delay-Tempo ein. Bitte beachten Sie, daß der Höchstwert 670ms beträgt. Wenn Sie für Tempo einen kleineren Wert als 90 einstellen und als Notenwert eine Viertelnote wählen, beträgt die Delay-Zeit bereits 670ms, weshalb der Tempowert zu blinken beginnt.

Notenwert

Anwahl des Notenwerts

Rückkopplung

Anzahl Wiederholungen.

Verhältnis

Verhältnis zwischen dem unbearbeiteten Signal und dem Delay-Effekt (der Wert 100% bedeutet, daß nur noch das Effektsignal hörbar ist.)

Ausgangspegel

Ausgangspegel dieses Effektblocks

Trigger

Anwahl der Quelle, mit der das Tempo geändert werden kann. Den Tempowert kann man mit einem Fußtaster (FS2) oder via MIDI ändern (MIDI).

Diffusion

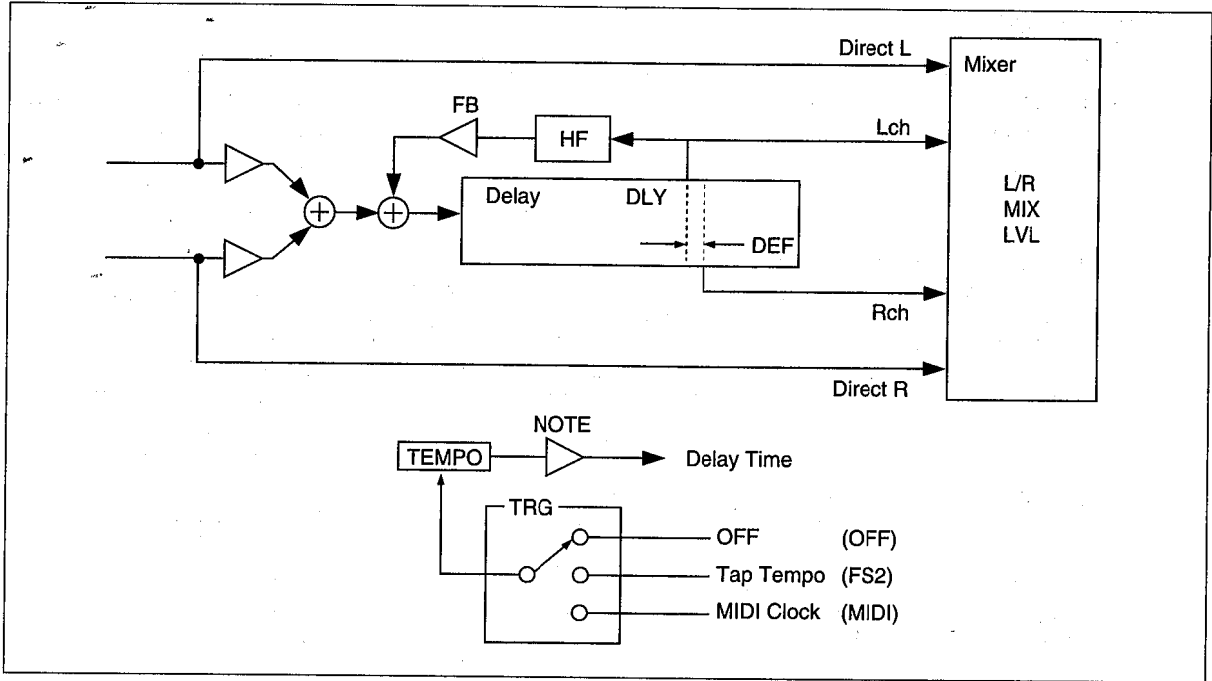
Hier wählen Sie den Wiederholungscharakter.

Links/Rechts Verhältnis

Stereoposition des Delay-Effekts, wenn er wegen eines hohen DEF-Wertes unausgewogen erscheint.

Höhenanteil

Eine Art "Bandecho-EQ" für Delay-Effekte. Je größer dieser Wert, desto natürlicher der Echoeffekt.



Tempo Delay 2

Die Stereo-Version von Tempo Delay 1, für den Sie also zwei Delay-Werte programmieren können.

Typ 5: TD2 (Tempo Delay 2)

Display-Seite 1

```
TD2  TEMPO  NOTE L
      J=xxx (xx)
```

Display-Seite 2

```
TD2  NOTE L  NOTE R
      (xx) (xx)
```

Display-Seite 3

```
TD2  FB  MIX  LVL
      xxx xxx xxx
```

Display-Seite 4

```
TD2  TRG  L/R  HF
      xxxx xxx xx
```

Parameter #	Name	Funktion	Wert/Einstellbereich
Parameter 1	TEMPO	Tempo	♩=50 ~ 250
Parameter 2	NOTE L	Linker Notenwert	♩, ♪, ♫, ♮, ♯, ♭, ♮, ♯, ♭, ♮, ♯, ♭
Parameter 3	NOTE R	Rechter Notenwert	
Parameter 4	NOTE F	Notenwert der Rückkopplung	
Parameter 5	FB	Rückkopplung	0 ~ 100 [%]
Parameter 6	MIX	Verhältnis	0 ~ 100 [%]
Parameter 7	LVL	Ausgangspegel	-∞, -30 ~ +6 [dB]
Parameter 8	TRG	Trigger	OFF, FS2, MIDI
Parameter 9	L/R	Links/Rechts Verhältnis	L50 ~ L=R ~ R50
Parameter 10	HF	Höhenanteil	1 ~ 10

Hinweise:

Tempo

Hier stellen Sie das Delay-Tempo ein. Bitte beachten Sie, daß der Höchstwert 670ms beträgt. Wenn Sie für Tempo einen kleineren Wert als 90 einstellen und als Notenwert eine Viertelnote wählen, beträgt die Delay-Zeit bereits 670ms, weshalb der Tempowert zu blinken beginnt.

Linker Notenwert

Notenwert für den linken Kanal im Synchronbetrieb.

Rechter Notenwert

Notenwert für den rechten Kanal im Synchronbetrieb.

Notenwert der Rückkopplung

Notenwert für die Rückkopplung im Synchronbetrieb.

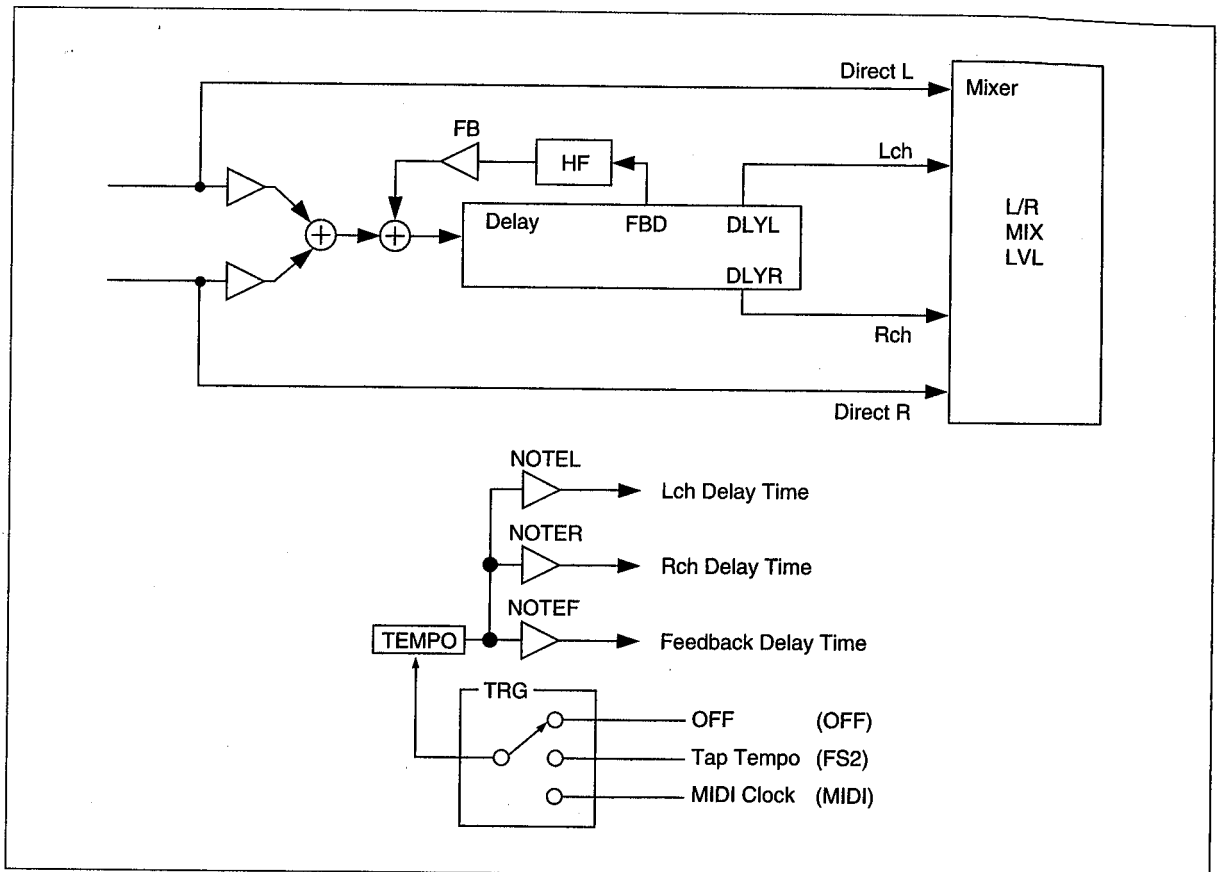
Rückkopplung

Anzahl Wiederholungen.

Verhältnis

Verhältnis zwischen dem unbearbeiteten Signal und dem Delay-Effekt (der Wert 100% bedeutet, daß nur noch das Effektsignal hörbar ist.)

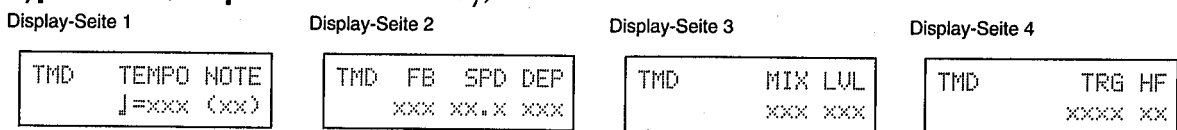
- Ausgangspegel** - Ausgangspegel dieses Effektblocks
- Trigger** - Anwahl der Quelle, mit der das Tempo geändert werden kann. Den Tempowert kann man mit einem Fußtaster (FS2) oder via MIDI ändern (MIDI).
- Links/Rechts Verhältnis** - Stereoposition des Delay-Effekts, wenn er unausgewogen erscheint.
- Höhenanteil** - Eine Art "Bandecho-EQ" für Delay-Effekte. Je größer dieser Wert, desto natürlicher der Echoeffekt.



Tempo Modulation Delay

Ähneln dem Modulation Delay (MDL), bietet darüber hinaus aber eine Temposteuerung.

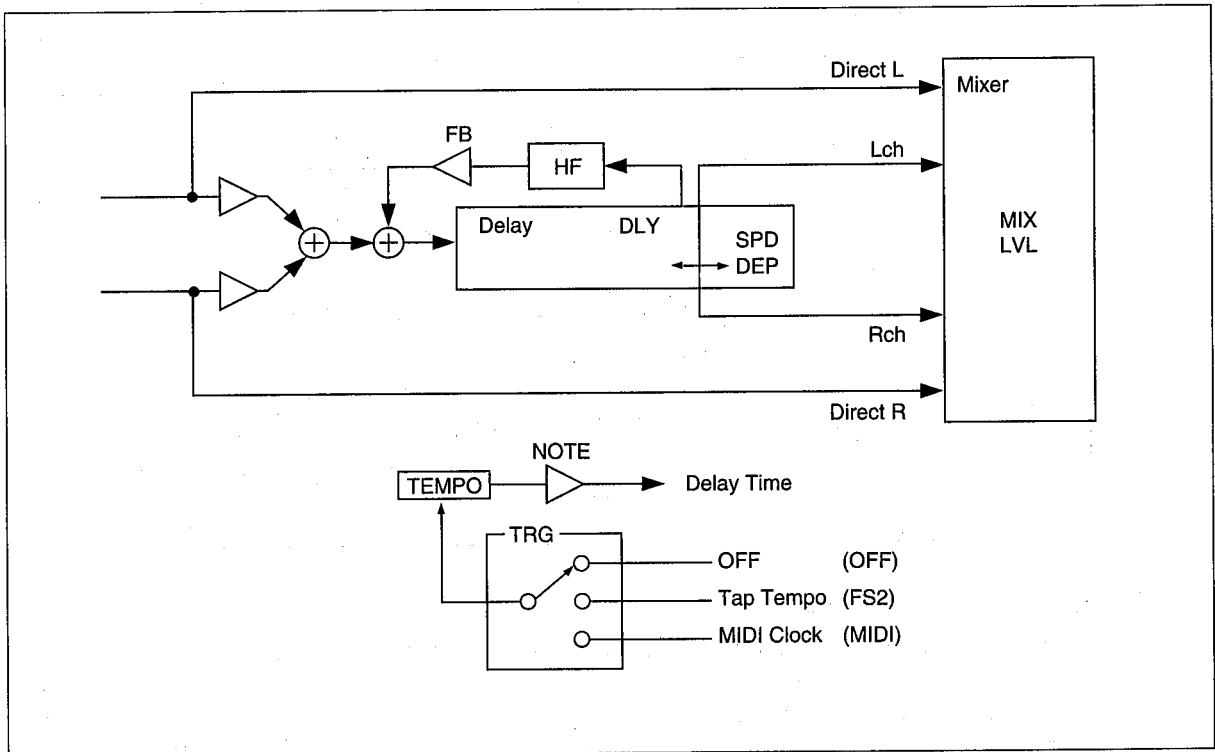
Typ 6: TMD (Tempo Modulation Delay)



Parameter #	Name	Funktion	Wert/Einstellbereich
Parameter 1	TEMPO	Tempo	♩=50 ~ 250
Parameter 2	NOTE	Notenwert	♩, ♪, ♫, ♬, ♭, ♮, ♯, ♯, ♯
Parameter 3	FB	Rückkopplung	0 ~ 100 [%]
Parameter 4	SPD	Modulationsgeschwindigkeit	0.1 ~ 20.0 [Hz]
Parameter 5	DEP	Modulationsintensität	0 ~ 100 [%]
Parameter 6	MIX	Verhältnis	0 ~ 100 [%]
Parameter 7	LVL	Ausgangspegel	-∞, -30 ~ +6 [dB]
Parameter 8	TRG	Trigger	OFF, FS2, MIDI
Parameter 9	HF	Höhenanteil	1 ~ 10

Hinweise:

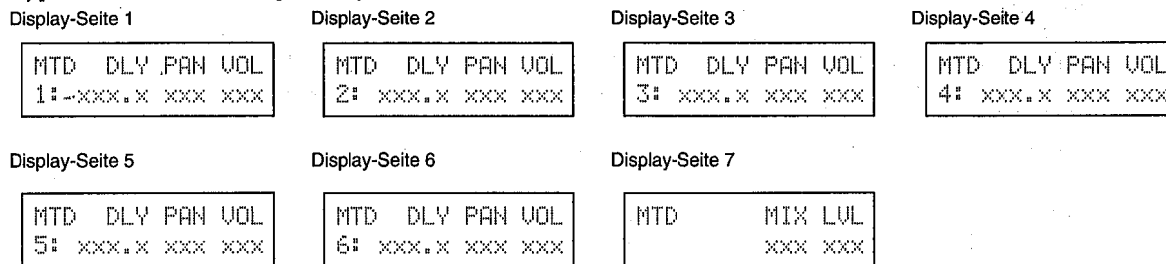
Tempo	Hier stellen Sie das Delay-Tempo ein. Bitte beachten Sie, daß der Höchstwert 670ms beträgt. Wenn Sie für Tempo einen kleineren Wert als 90 einstellen und als Notenwert eine Viertelnote wählen, beträgt die Delay-Zeit bereits 670ms, weshalb der Tempowert zu blinken beginnt.
Notenwert	Anwahl des Notenwertes
Rückkopplung	Anzahl Wiederholungen.
Modulationsgeschwindigkeit	Geschwindigkeit des Modulationseffekts.
Modulationsintensität	Modulationsintensität für die Wiederholungen.
Verhältnis	Verhältnis zwischen dem unbearbeiteten Signal und dem Delay-Effekt (der Wert 100% bedeutet, daß nur noch das Effektsignal hörbar ist.)
Ausgangspegel	Ausgangspegel dieses Effektblocks
Trigger	Anwahl der Quelle, mit der das Tempo geändert werden kann. Den Tempowert kann man mit einem Fußtaster (FS2) oder via MIDI ändern (MIDI).
Höhenanteil	Eine Art "Bandecho-EQ" für Delay-Effekte. Je größer dieser Wert, desto natürlicher der Echoeffekt.



Multi Tap Delay

Und jetzt geht der Spaß erst richtig los. Mit sechs separaten Wiederholungen, einstellbarer Wiederholungszeit und Stereoposition sowie einem separaten Lautstärkewert dürfte wirklich alles Mögliche anzustellen sein!

Typ 7: MTD (Multi Tap Delay)



Parameter #	Name	Funktion	Wert/Einstellbereich
-------------	------	----------	----------------------

Parameter 1	DLY	TAP 1 Verzögerungszeit	0.1 ~ 670.0 [msec]
Parameter 2	PAN	TAP 1 Pan Position	L50 ~ L=R ~ R50
Parameter 3	VOL	TAP 1 Volume	0 ~ 100

Diese drei Parameter sind auch für die übrigen Wiederholungen (Taps) belegt

Parameter 19	MIX	Verhältnis	0 ~ 100 [%]
Parameter 20	LVL	Ausgangspegel	-∞, -30 ~ +6 [dB]

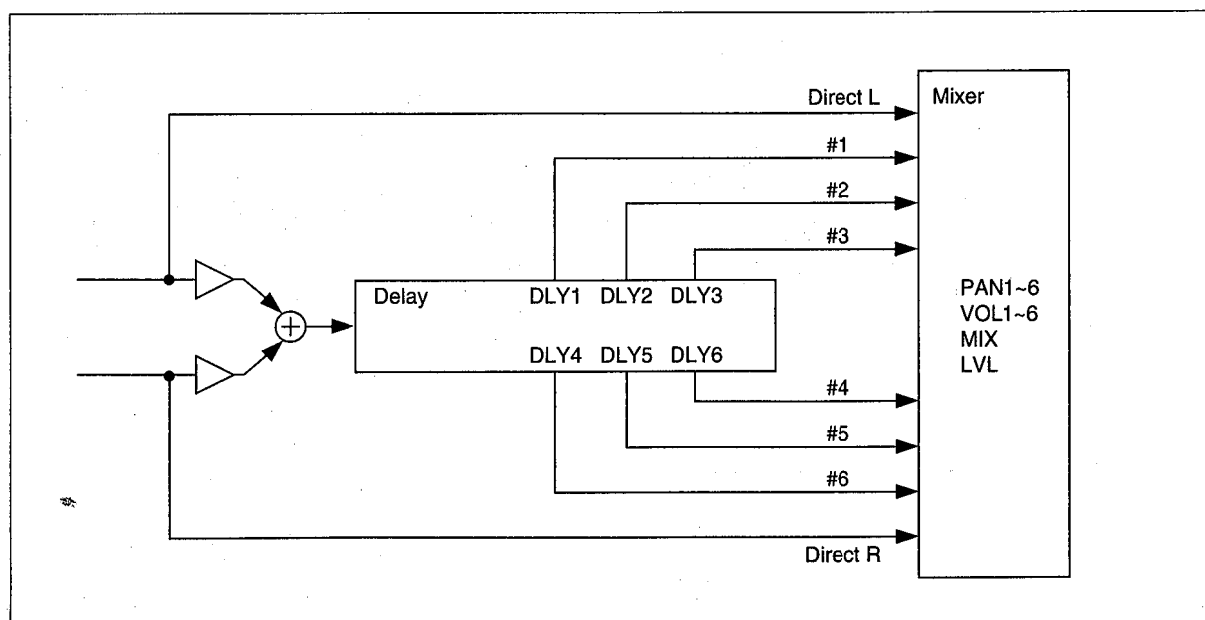
Hinweise:

- Verzögerungszeit** Zeitraum zwischen den Wiederholungen.
- Pan Position** Stereoposition der betreffenden Wiederholung.
- Tap Volume** Lautstärke der betreffende Wiederholung.

Diese drei Parameter sind auch für die übrigen Wiederholungen (Taps) belegt

Verhältnis Verhältnis zwischen dem unbearbeiteten Signal und dem Delay-Effekt (der Wert 100% bedeutet, daß nur noch das Effektsignal hörbar ist.)

Ausgangspegel Ausgangspegel dieses Effektblocks



Ducking Delay

Auch dieser Effekt hat durchaus seinen Reiz, weil er nur dann hörbar ist, wenn Sie nicht spielen und ansonsten schweigt. Ein wahrhaft musikalischer Effekt.

Typ 8: DUC (Ducking Delay)

Display-Seite 1

```
DUC DLY FB THR
xxx.x xxx xx
```

Display-Seite 2

```
DUC MIX LVL
xxx xxx
```

Display-Seite 3

```
DUC DEF L/R HF
xx xxx xx
```

Parameter #	Name	Funktion	Wert/Einstellbereich
Parameter 1	DLY	Verzögerungszeit	0.1 ~ 670.0 [msec]
Parameter 2	FB	Rückkopplung	0 ~ 100 [%]
Parameter 3	THR	Grenzwert	0 ~ 63
Parameter 3	MIX	Verhältnis	0 ~ 100 [%]
Parameter 4	LVL	Ausgangspegel	-∞, -30 ~ +6 [dB]
Parameter 5	DEF	Diffusion	0 ~ 10
Parameter 6	L/R	Links/Rechts Verhältnis	L50 ~ L=R ~ R50
Parameter 7	HF	Höhenanteil	1 ~ 10

Hinweise:

Verzögerungszeit Zeitraum zwischen den Wiederholungen.

Rückkopplung Anzahl Wiederholungen.

Grenzwert Mindestpegel, mit dem Sie den Effekt "auslösen" können.

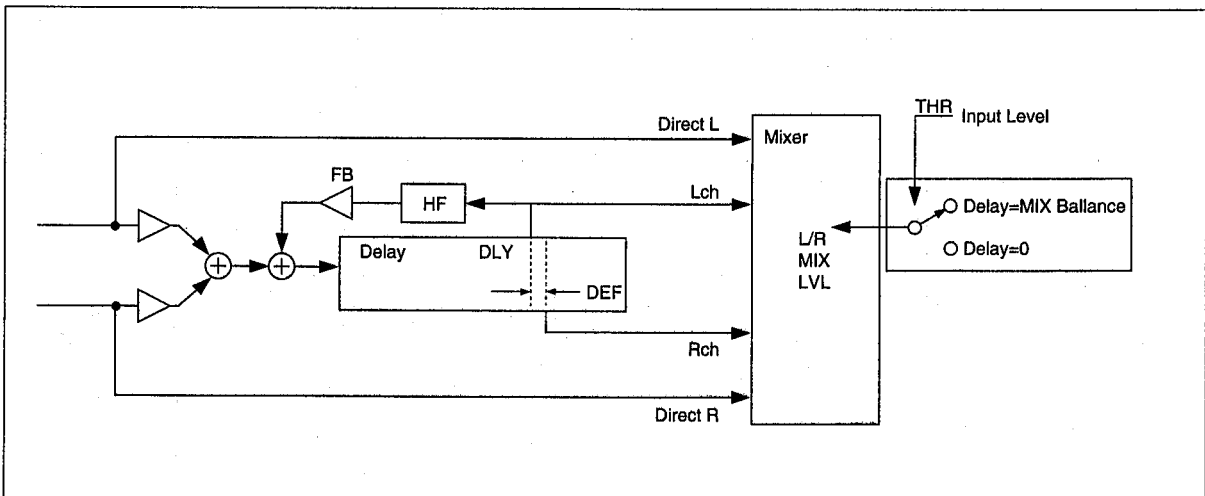
Verhältnis Verhältnis zwischen dem unbearbeiteten Signal und dem Delay-Effekt (der Wert 100% bedeutet, daß nur noch das Effektsignal hörbar ist.)

Ausgangspegel Ausgangspegel dieses Effektsblocks

Diffusion Hier wählen Sie den Wiederholungscharakter.

Links/Rechts Verhältnis Stereoposition des Delay-Effekts, wenn er wegen eines hohen DEF-Wertes unausgewogen erscheint.

Höhenanteil Eine Art "Bandecho-EQ" für Delay-Effekte. Je größer dieser Wert, desto natürlicher der Echoeffekt.



7.1.9 Réverb

In der Regel fungiert der Hall (Reverb) als letzter Tupfer für ein gelungenes Effektprogramm. Dieser Effekt verleiht Ihrem Sound mehr Atemraum, kann aber auch als Effekt (mit ausgefallenen Parameterwerten) verwendet werden. Das FX770 bietet vier Halltypen, mit denen Sie alle gängigen Effekte erzielen können.

LgH (Large Hall), MdR (Medium Room), SmR (Small Room), Spr (Spring)

Display-Seite 1

```

xxx RVT HF IDLY
  xx xx xxx.x
    
```

Display-Seite 2

```

xxx      MIX LVL
          xxx xxx
    
```

Display-Seite 3

```

xxx      GATE LEVEL
          xx
    
```

Parameter #	Name	Funktion	Wert/Einstellbereich
Parameter 1	RVT	Halldauer	0.1 ~ 4.0
Parameter 2	HF	Höhenanteil	1 ~ 10
Parameter 3	IDLY	Verzögerung	0.1 ~ 100.0 [msec]
Parameter 4	MIX	Verhältnis	0 ~ 100 [%]
Parameter 5	LVL	Ausgangspegel	-∞, -30 ~ +6 [dB]
Parameter 6	GATE LEVEL	Reverb Gate Level	0 ~ 63

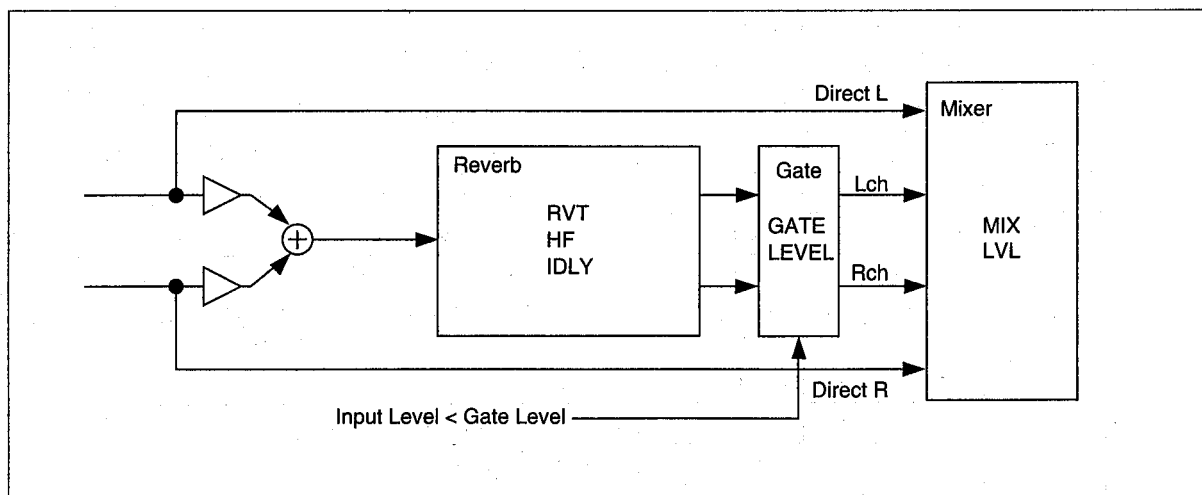
Hinweise:

- Halldauer** Die Halldauer (Abklingzeit des Reverb-Effekts). Der Ausgangswert aller Typen ist 1.0.
- Höhenanteil** Dämpfung der Höhen.
- Initial Delay** Verzögerung zwischen dem unbearbeiteten Signal und dem Beginn des Reverb-Effekts.

Verhältnis Verhältnis zwischen dem unbearbeiteten Signal und dem Reverb-Effekt (der Wert 100% bedeutet, daß nur noch das Effektsignal hörbar ist.)

Ausgangspegel Ausgangspegel dieses Effektblocks

Gate Level Je nach dem Signalpegel Ihrer Gitarre, bestimmt dieser Parameter, wie stark der Halleffekt gedämpft wird.



7.2 Übersicht der Preset-Programme

Diese Übersicht hilft Ihnen wahrscheinlich beim Analysieren ihres FX770 oder wenn Sie sich ganz einfach ein paar Einstellungen borgen möchten. Außerdem geben wir ein paar Hinweise bezüglich der Pick-Ups, die zu den einzelnen Programmen passen. Wenn Sie sie sich alles einmal in Ruhe angesehen haben, steht Ihrer Sound-Bibliothek nichts mehr im Weg!

FX770 Preset-Programme

Programmnr.	Programmname	Typ	Stil	Pickup	Tip
0	Massive	Distortion/Wet	Solo	Bridge Humbucker	Herzzerreißender Solo-Sound
1	Real Clean	Clean	Chords	Single Coil Combo	Der Aktentaschen-Megasound
2	Dream Clean	Clean/Wet	Ballad	Single Coil Combo	Michael mag diesen "cleanen" Klang
3	Wide Clean	Clean/Wet	Chords	Single Coil Combo	Gut für wichtige Parts
4	Clean Lead	Clean/Wet	Solo	Wie Sie wollen	Hals-Pickup-Solo für "cleane" Soli
5	Blue Mood	Overdrive	Riffs	Wie Sie wollen	Im Grunde Blues
6	Tunnel Vision	Distortion/Wet	Chords	Bridge Humbucker	Singender Soloklang
7	Captain Crunch	Distortion	Chords	Bridge Humbucker	Denken Sie an "Sandman"
8	Power Trip	Distortion/Wet	Solo	Bridge Humbucker	Monsters of Rock
9	L.A. Lead	Distortion/Wet	Solo	Bridge Humbucker	"Luke" steht auf solche Sounds
10	Get Funky	Clean	Chords	Single Coil Combo	Gut für sehnige Akkorde
11	Cleanman	Clean/Wet	Chords	Single Coil Combo	Batteriegetrieben
12	Funky Mute	Clean/Wet	Single Stng	Single Coil Combo	Einsaitige Fills & Parts
13	Pan Police	Clean/Wet	Arpeggio	Single Coil Combo	Every Breath You Take
14	Rocko Socko	Overdrive	Chords	Wie Sie wollen	Petes "Zwischenlösung"
15	Power Station	Overdrive	Chords	Bridge Humbucker	Get It On
16	Highway 101	Overdrive	Chords	Bridge Humbucker	Schön zum Slappen
17	Rotary Club	Distortion/Wet	Chords	Bridge Humbucker	Obersahne. Gleich jammen.
18	Giant Killer	Distortion/Wet	Solo	Bridge Humbucker	Gut singender Soloklang
19	Rat lead	Distortion/Wet	Solo	Bridge Humbucker	Ein bißchen Biß muß sein
20	The King	Clean	Chords	Neck Single Coil	Rockabilly-Klumpfe
21	Retro Room	Clean	Chords	Wie Sie wollen	In den Sechzigern sehr beliebt
22	Vibrotrem	Clean	Chords	Wie Sie wollen	Da bekommt man Herzklopfen
23	Memphis Maybe	Clean	Chords	Wie Sie wollen	Stacks-o-Tracks Sound
24	Good Company	Overdrive	Chords	Neck Single Coil	Hiermit können Sie Ihren Lebensunterhalt bestreiten
25	Just What I Need	Overdrive	Chords	Bridge Humbucker	Selbstauslöser
26	Strangle Hold	Overdrive	Chords	Bridge Humbucker	The Ted. Alles klar?
27	Z Growl	Overdrive	Chords	Bridge Humbucker	Ein wenig Texas und viel Klang
28	Front Page	Overdrive	Chords	Neck Single Coil	Denken Sie an "Heartbreaker"
29	Wah's Up Doc?	Overdrive	Solo	Bridge Humbucker	Auch schön mit WahWah-Pedal
30	Warm & Cozy	Clean	Chords	Single Coil Combo	Das isser.
31	Ballad FX	Clean/Wet	Arpeggio	Single Coil Combo	O wie süß
32	Philharmonic	Clean/Wet	Chords	Single Coil Combo	Ertrinkt fast in Effekten
33	Jazzed	Clean	Solo	Neck	Nur zu, Joe
34	Country Clean	Clean	Chords	Single Coil Combo	Stammt von Music City

Programmnr.	Programmname	Typ	Stil	Pickup	Tip
35	In Between	Overdrive	Chords	Wie Sie wollen	Zünftiger Rock-Sound
36	Old Style	Overdrive	Chords	Single Coil Combo	Cinnamon Girl
37	Thick Room	Overdrive	Solo	Bridge Humbucker	Immer schön braten
38	Dyna Lead	Distortion/Wet	Solo	Bridge Humbucker	Dynamischer Delay-Effekt
39	Old Faithful	Distortion/Wet	Solo	Bridge Humbucker	Der amtliche Solo-Sound
40	Paperback	Overdrive	Chords	Single Coil Combo	Komponisten mögen es bestimmt
41	On the Edge	Overdrive/Wet	Riffs	Single Coil Combo	In The Name of Love
42	Tempo Bounce	Overdrive/Wet	Riffs	Single Coil Combo	Vor allem für Viertelnoten
43	Dancing Delays	Clean/Wet	Ballad	Single Coil Combo	Kraftvoll, voll und gut für Ballads
44	Swell Pad	Clean/Wet	Vol. Ped.	Single Coil Combo	Mit dem Volumenpedal erzielen Sie einen "Orgel-Sound"
45	Stuffyhead	Overdrive	Chords	Bridge Humbucker	Klare Rock-Sache
46	Bump & Grind	Distortion/Wet	Chords	Bridge Humbucker	Jetzt bruzzelt's
47	Slap Lead	Distortion/Wet	Solo	Bridge Humbucker	Ideal für hohe Noten
48	Tailgate	Distortion/Wet	Solo	Bridge Humbucker	Hilfe, ich werde beschattet!
49	Fried	Distortion/Wet	Solo	Bridge Humbucker	Psychedelischer Wirbel
50	Nice & Easy	Clean	Chords	Single Coil Combo	"Clean" mit Chorus
51	Premiere	Clean	Chords	Single Coil Combo	Nein, ist das fein
52	Touchy, Aren't We	Clean	Riffs	Single Coil Combo	Vor allem für gedämpfte Licks
53	Swimming	Clean/Wet	Arpeggio	Single Coil Combo	Kugelrunder Sound
54	Long Cool Woman	Clean/Wet	Riffs	Single Coil Combo	Lüneburg grüßt Hollies
55	Notch	Overdrive	Riffs	Bridge Humbucker	Money For Nothing
56	Don't Look Now	Distortion/Wet	Riffs	Bridge Humbucker	Alternativer Gitarrenklang
57	Space Needle	Distortion/Wet	Riffs	Bridge Humbucker	Alternativer Gitarrenklang
58	Garage Dudes	Distortion/Wet	Riffs	Bridge Humbucker	Alternativer Gitarrenklang
59	Doo Wah Diddy	Distortion/Wet	Solo	Bridge Humbucker	Alternativer Gitarrenklang
60	Acoustic	Acoustic	Chords	Steel String	Vor allem für elektro-akustische Dinge
61	Excited	Acoustic	Chords	Steel String	Vor allem für elektro-akustische Dinge
62	Wet Steel	Acoustic	Arpeggio	Steel String	Vor allem für elektro-akustische Dinge
63	Dreadn't Dance	Acoustic	Solo	Steel String	Vor allem für elektro-akustische Dinge
64	APX Pitch	Acoustic	Solo	Steel String	Vor allem für elektro-akustische Dinge
65	Nylon	Nylon Acoustic	Chords	Nylon String	Vor allem für elektro-akustische Dinge
66	Rubberband	Nylon Acoustic	Chords	Nylon String	Vor allem für elektro-akustische Dinge
67	Run On & On	Nylon Acoustic	Arpeggio	Nylon String	Vor allem für elektro-akustische Dinge
68	Solo Nylon	Nylon Acoustic	Solo	Nylon String	Vor allem für elektro-akustische Dinge
69	Nylon Syrup	Nylon Acoustic	Solo	Nylon String	Vor allem für elektro-akustische Dinge
70	with DI Fingers	Clean		Single Coil Combo	Direkt ins Pult gehen (live und im Studio)
71	DI Clean	Clean		Single Coil Combo	Direkt ins Pult gehen (live und im Studio)
72	Chimes DI	Clean/Wet		Single Coil Combo	Direkt ins Pult gehen (live und im Studio)
73	Gas Pedal	Clean/Wet		Single Coil Combo	Direkt ins Pult gehen (live und im Studio)
74	Almost	Overdrive	Chords	Bridge Humbucker	Direkt ins Pult gehen (live und im Studio)
75	Gloom	Overdrive	Chords	Bridge Humbucker	Direkt ins Pult gehen (live und im Studio)

Programmnr.	Programmname	Typ	Stil	Pickup	Tip
76	Doom	Overdrive	Chords	Bridge Humbucker	Direkt ins Pult gehen (live und im Studio)
77	Direct Crunch	Overdrive	Chords	Bridge Humbucker	Direkt ins Pult gehen (live und im Studio)
78	L.A. Direct	Distortion/Wet	Solo	Bridge Humbucker	Direkt ins Pult gehen (live und im Studio)
79	Charles & DI	Distortion/Wet	Solo	Bridge Humbucker	Direkt ins Pult gehen (live und im Studio)
80	To DI For	Clean	Chords	Single Coil Combo	Direkt ins Pult gehen (live und im Studio)
81	DI Mute	Clean	Chords	Single Coil Combo	Direkt ins Pult gehen (live und im Studio)
82	Pan Pizza	Clean/Wet	Arpeggio	Single Coil Combo	Direkt ins Pult gehen (live und im Studio)
83	Princess DI	Clean/Wet	Arpeggio	Single Coil Combo	Direkt ins Pult gehen (live und im Studio)
84	Direct Mail	Overdrive	Chords	Bridge Humbucker	Direkt ins Pult gehen (live und im Studio)
85	Direct Danger	Overdrive	Chords	Bridge Humbucker	Direkt ins Pult gehen (live und im Studio)
86	Talk To Me	Distortion/Wet	Solo	Bridge Humbucker	Direkt ins Pult gehen (live und im Studio)
87	Raw Frame	Distortion/Wet	Solo	Bridge Humbucker	Direkt ins Pult gehen (live und im Studio)
88	DI Chase	Distortion/Wet	Solo	Bridge Humbucker	Direkt ins Pult gehen (live und im Studio)
89	Dynamic DI	Distortion/Wet	Solo	Bridge Humbucker	Direkt ins Pult gehen (live und im Studio)
90	Shred Direct	Distortion/Wet	Solo	Bridge Humbucker	Direkt ins Pult gehen (live und im Studio)
91	High Solo	Distortion/Wet	Solo	Bridge Humbucker	Für die Superschnellen
92	Rapid Fire	Distortion/Wet	Solo	Bridge Humbucker	Hammern und ziehen Sie schön
93	Rythm Track	Distortion/Wet	Chords	Bridge Humbucker	So schön kann "Backing" sein
94	Mini Pan	SOUND EFFECT	—	Wie Sie wollen	Wer zwitschert denn da?
95	Dr. Robot	SOUND EFFECT	—	Wie Sie wollen	Schnarrender Roboter
96	Bubble Wah	SOUND EFFECT	—	Wie Sie wollen	Blasenmacher
97	Venus	SOUND EFFECT	—	Wie Sie wollen	Für superhohe "Bendings"
98	Gremlins	SOUND EFFECT	—	Wie Sie wollen	Spielt Berg auch mit?
99	Space Chatter	SOUND EFFECT	—	Wie Sie wollen	Laserpistole

7.3 Programmierertips

Die hier gegebenen Hinweise sind nur allgemeine und unverbindliche Tips. Im Laufe der Zeit werden Sie bestimmt eigene Tricks und Methoden entwickeln, die mindestens so gut sind wie unsere.

Preamp

- **Gain:** Bei den meisten Vorverstärkern ist es so, daß sehr hohe Gain-Werte nur dann nicht in Brei ausarten, wenn man einen relativ niedrigen Drive-Wert einstellt. Das gilt also auch für das FX770: Bei hohen Gain-Werten wählen Sie am besten einen niedrigen Drive-Wert.
- **EQ:** Das FX770 ist mit einem vielseitigen parametrischen Equalizer ausgestattet (der Teil des Preamp-Blocks ist), so daß Sie soundmäßig so ungefähr alles hinbekommen müßten, was Ihnen vorschwebt. Aber auch hier gilt, daß weniger oft mehr ist: Zuviel EQ macht Ihren Sound nicht unbedingt besser. Gehen Sie also sparsam mit den Pre-, Post- und Main-Parametern des Preamp-Blocks um. Versuchen Sie herauszufinden, welche Frequenzen zu Ihrem Instrument passen und suchen Sie die "Sweet Spots", damit Ihre Gitarre sich von ihrer Schokoladenseite zeigen kann.

Noise Gate

- Auch hier ist Sparsamkeit geboten: Zu hohe Noise Gate-Werte ruinieren Ihr mühsam ausgetüfteltes Sustain. Am besten stellen Sie diesen Wert ein, nachdem Sie die Lautstärke der Gitarre auf Null reduziert haben. Versuchen Sie anschließend, daß Rauschen, das dann noch hörbar ist, auszuschalten. Bedenken Sie, daß das Rauschen nur stört, solange keiner spielt. Wenn Sie das bißchen Rauschen zwischen zwei Songs immer noch stört, dann schließen Sie ganz einfach ein Volumenpedal an die FC1-Buchse an (Master Volume-Funktion) und stellen Sie die Lautstärke auf Null – dann ist wirklich Ruhe, aber Ihr Sustain bleibt wenigstens erhalten.

Externe Spielhilfen

- Externe Spielhilfen sind oftmals von unschätzbarem Wert. Deswegen ist das FX770 auf diesem Gebiet auch so flexibel: Lautstärke (MIDI, Pedal), WAH, FS1 und FS2. Die Fußtaster sind programmierbar usw. Je mehr Sie per Fuß einstellen, desto mehr können Sie auf Ihrer Gitarre spielen.

Externe Datenablage

- Wenn Ihnen wirklich etwas an Ihren Programmen liegt, speichern Sie sie am besten in regelmäßigen Zeitabständen via MIDI ab. Nur so sind Sie nämlich sicher, daß Ihre Arbeit nicht verlorengeht, wenn Ihre Kollegen aus Versehen einmal die verkehrte Taste drücken ([STORE]). Wer oft live spielt, muß das sowieso tun (und die Diskette dann beim Manager hinterlegen).

Anwendungsbereich

- Ihr FX770 klingt in jeder Situation anders! So ist z.B. die Wahl der Endstufe und der Lautsprecher von großer Wichtigkeit. Probieren Sie also verschiedene Setups aus und entscheiden Sie sich für dasjenige, das am besten klingt. Fest steht allerdings, daß das FX770 Sie sowohl auf einem Combo-Verstärker als auch in noblen Tonstudios überzeugen wird – man muß nur wissen, wie man es am besten einstellt. Und das werden Sie sehr schnell lernen, wenn Sie sich regelmäßig vor Ihr Effektgerät setzen und ein wenig experimentieren. Viel Spaß!

7.4 Das Wort zum Pegel

Programmieren Sie nie übertriebene Ausgangspegelwerte für die einzelnen Blöcke. Die Effekte Compressor, Preamp, Pitch, Mod, Delay und Reverb sind mit einem Ausgangspegelparameter ausgestattet, der einen Einstellbereich von +6dB bis -30dB und $-\infty$ hat. Mit hohen Werten erreichen Sie nur eins: Besonders unangenehme Digital-Verzerrung. Allerdings sind zu niedrige Pegelwerte auch nicht gerade des Gelbe vom Ei, weil dann die Klangqualität des FX770 beeinträchtigt wird. Verwenden Sie die Pegelparameter der oben erwähnten Effektblöcke zur Aussteuerung der Effekte, damit keiner zu leise, aber auch keiner zu laut ist. Der Gesamtpegel darf niemals höher sein als +6dB, denn sonst wird das Signal unbrauchbar.

Kapitel 8: Technische Daten

8.1 MIDI-Datenformat

Sendeformat

① Programmdaten

Wenn Sie die Daten des FX770 via MIDI ablegen (PROGRAM DATA BULK OUT) oder wenn das FX770 einen Abwurfbefehl für Programmdaten empfängt, werden die SysEx-Daten auf dem MIDI-Kanal gesendet, der der gegenwärtigen Bank zugeordnet ist. Es werden nur die Daten der User-Programme (0~99) gesendet, und alle Daten werden nur gesendet, wenn Sie statt einer Programmnummer "All" einstellen. Das Format dieser Daten sieht folgendermaßen aus:

status	1111 0000 (F0h)	
ID #	0100 0011 (43h)	
SUB STATUS	0000 nnnn	nnnn = channel # *1
FORMAT #	0111 1110 (7Eh)	
byte count	0000 0001 (01h)	
byte count	0001 0000 (10h)	
header	0100 1100 (4Ch)	"L"
	0100 1101 (4Dh)	"M"
	0010 0000 (20h)	" "
	0010 0000 (20h)	" "
	0011 1000 (38h)	"8"
	0100 0001 (41h)	"A"
	0011 0010 (32h)	"2"
	0011 0000 (30h)	"0"
data name	0100 1101 (4Dh)	"M"
program #	0nnnn nnnnn	*2
data	0ddd dddd	} 134 byte
	: 0ddd dddd	
check sum	0eee eeee	
EOX	1111 0111 (F7h)	

② Daten der Programmwechsellisten

Wenn Sie die Daten des FX770 via MIDI ablegen (PROGRAM CHANGE TABLE BULK OUT) oder wenn das FX770 einen Abwurfbefehl für Programmwechsellisten empfängt, werden die SysEx-Daten auf dem MIDI-Kanal gesendet, der der gegenwärtigen Bank zugeordnet ist. Es werden die Daten der Bänke A~G gesendet, und alle Daten werden nur gesendet, wenn Sie statt einer Tabellennummer "All" einstellen. Das Format dieser Daten sieht folgendermaßen aus:

status	1111 0000 (F0h)	
ID #	0100 0011 (43h)	
SUB STATUS	0000 nnnn	nnnn = channel # *1
FORMAT #	0111 1110 (7Eh)	
byte count	0000 0001 (01h)	
byte count	0000 1010 (0Ah)	
header	0100 1100 (4Ch)	"L"
	0100 1101 (4Dh)	"M"
	0010 0000 (20h)	" "
	0010 0000 (20h)	" "
	0011 1000 (38h)	"8"
	0100 0001 (41h)	"A"
	0011 0010 (32h)	"2"
	0011 0000 (30h)	"0"
data name	0101 0100 (54h)	"T"

bank #	0bbb bbbb	*3
data	0ddd dddd	} 128 byte
	: 0ddd dddd	
check sum	0eee eeee	
EOX	1111 0111 (F7h)	

③ Systemdaten

Wenn Sie die Daten des FX770 via MIDI ablegen (SYSTEM DATA BULK OUT) oder wenn das FX770 einen Abwurfbefehl für Systemdaten empfängt, werden die SysEx-Daten auf dem MIDI-Kanal gesendet, der der gegenwärtigen Bank zugeordnet ist.

status	1111 0000 (F0h)	
ID #	0100 0011 (43h)	
SUB STATUS	0000 nnnn	nnnn = channel # *1
FORMAT #	0111 1110 (7Eh)	
byte count	0000 0000 (00h)	
byte count	0010 0010 (22h)	
header	0100 1100 (4Ch)	"L"
	0100 1101 (4Dh)	"M"
	0010 0000 (20h)	" "
	0010 0000 (20h)	" "
	0011 1000 (38h)	"8"
	0100 0001 (41h)	"A"
	0011 0010 (32h)	"2"
	0011 0000 (30h)	"0"
data name	0101 0111 (53h)	"S"
	0010 0000	" "
version #	0000 0001	V1.0
	0000 0000	
data	0ddd dddd	} 22 byte
	: 0ddd dddd	
check sum	0eee eeee	
EOX	1111 0111 (F7h)	

④ Alle Daten

Wenn Sie die Daten des FX770 via MIDI ablegen (PROGRAM CHANGE TABLE BULK OUT), werden die SysEx-Daten auf dem MIDI-Kanal gesendet, der der gegenwärtigen Bank zugeordnet ist.

Im "All" Betrieb werden die Daten folgendermaßen gesendet:

1. Daten der User-Programme 0~99.
2. Daten der Programmwechsellisten A~G
3. Systemdaten

Empfangsformat

① Note-an

Dieser Befehlstyp wird auf dem MIDI-Kanal der gegenwärtigen Bank empfangen, aber nur, wenn Controller 1 oder Controller 2 der NOTE ON VELOCITY-Funktion zugeordnet ist. Geht ein Note-an Befehl ein, wird der Wert des angesteuerten Parameters im Verhältnis zu dem empfangenen Anschlagswert geändert.

handelt es sich beim Effekttyp der PITCH SECTION um den SPI-Parameter, dient dieser Wert zur Steuerung der Tonhöhenänderung. Der empfangene Anschlagswert wird jedoch nicht ausgewertet, wenn Sie den KEY-Parameter auf Off gestellt haben.

```
status      1001 nnnn      nnnn = channel # *1
1st data    0kkk kkkk      kkkkkkk = note number *4
2nd data    0vvv vvvv      vvvvvvv = velocity *5
```

② Steuerbefehl

Dieser Befehlstyp wird auf dem MIDI-Kanal der gegenwärtigen Bank empfangen, aber nur, wenn Controller 1 oder Controller 2 einem Steuerbefehl zugeordnet ist. Geht ein Steuerbefehl dieser Nummer ein, wird der Wert des angesteuerten Parameters im Verhältnis zu dem empfangenen Steuerwert geändert.

```
status      1011 nnnn      nnnn = channel number *1
1st data    0ccc cccc      ccccccc = control number *6
2nd data    0vvv vvvv      vvvvvvv = control value *7
```

③ Programmwechsel

Dieser Befehlstyp wird auf dem MIDI-Kanal der gegenwärtigen Bank empfangen.

Sobald das FX770 diesen einen Programmwechselbefehl empfängt, ruft es das dieser Programmnummer zugeordnete Effektprogramm auf. Bitte beachten Sie, daß die Zuordnung der Bänke frei einstellbar ist, was vielleicht ab und zu Probleme aufwirft.

```
status      1100 nnnn      nnnn = channel number *1
1st data    0ppp pppp      ppppppp = program number *8
```

④ Kanal-Aftertouch

Dieser Befehlstyp wird auf dem MIDI-Kanal der gegenwärtigen Bank empfangen, aber nur, wenn Controller 1 oder Controller 2 der CHANNEL PRESSURE-Funktion zugeordnet ist.

Geht ein Aftertouch-Befehl ein, wird der Wert des angesteuerten Parameters im Verhältnis zu dem empfangenen Wert geändert.

```
status      1101 nnnn      nnnn = channel number *1
1st data    0vvv vvvv      vvvvvvv = pressure value *9
```

⑤ Aktivaufspürung

Sobald das FX770 diesen Befehl empfängt und wenn der nächste Befehl nicht innerhalb von 300ms eingeht, wird die MIDI-Lautstärke wieder auf den Höchstwert gestellt.

```
1111 1110      active sensing
```

⑥ MIDI-Zeittakt

Wenn Sie den TRG-Parameter eines der folgenden Parameter auf MIDI stellen, kann die Modulationsgeschwindigkeit oder die Verzögerungszeit mit Hilfe des MIDI-Zeittakts eingestellt werden.

```
1111 1000      timing clock
```

Block	Effekttyp	Parameter, dessen Wert sich dem Zeittakt entsprechend ändert
MOD	PAN,TRM	Modulationsgeschwindigkeit
DELAY	TD1,TD2,TMD	Modulationsgeschwindigkeit

⑦ Datenblockabwurfbefehl

Dieser Befehl wird ausschließlich auf dem MIDI-Kanal der gegenwärtigen Bank empfangen.

Als Antwort hierauf sendet das FX770 dann die Parameterwerte des im Befehl angegebenen User-Programms.

```
status      1111 0000 (F0h)
ID #        0100 0011 (43h)
SUB STATUS  0010 nnnn      nnnn = channel # *1
FORMAT #    0111 1110 (7Eh)
header      0100 1100 (4Ch) "L"
            0100 1101 (4Dh) "M"
            0010 0000 (20h) " "
            0010 0000 (20h) " "
            0011 1000 (38h) "8"
            0100 0001 (41h) "A"
            0011 0010 (32h) "2"
            0011 0000 (30h) "0"
data name   0100 1101 (4Dh) "M"
program #   0rrrr rrrrrr   *2
EOX        1111 0111 (F7h)
```

⑧ Programmwechseldaten-Abwurfbefehl

Dieser Befehl wird ausschließlich auf dem MIDI-Kanal der gegenwärtigen Bank empfangen.

Als Antwort hierauf sendet das FX770 dann die Parameterwerte der im Befehl angegebenen Bank.

```
status      1111 0000 (F0h)
ID #        0100 0011 (43h)
SUB STATUS  0010 nnnn      nnnn = channel # *1
FORMAT #    0111 1110 (7Eh)
header      0100 1100 (4Ch) "L"
            0100 1101 (4Dh) "M"
            0010 0000 (20h) " "
            0010 0000 (20h) " "
            0011 1000 (38h) "8"
            0100 0001 (41h) "A"
            0011 0010 (32h) "2"
            0011 0000 (30h) "0"
data name   0101 0100 (54h) "T"
bank #      0bbb bbbb      *3
EOX        1111 0111 (F7h)
```

⑨ Systemdatenabwurfbefehl

Dieser Befehl wird ausschließlich auf dem MIDI-Kanal der gegenwärtigen Bank empfangen. Als Antwort hierauf sendet das FX770 dann die Systemdaten.

```

status      1111 0000 (F0h)
ID #        0100 0011 (43h)
SUB STATUS  0010 nnnn      nnnn = channel # *1
FORMAT #    0111 1110 (7Eh)
header      0100 1100 (4Ch)  "L"
            0100 1101 (4Dh)  "M"
            0010 0000 (20h)  " "
            0010 0000 (20h)  " "
            0011 1000 (38h)  "8"
            0100 0001 (41h)  "A"
            0011 0010 (32h)  "2"
            0011 0000 (30h)  "0"
data name   0101 0011 (53h)  "S"
            0010 0000 (20h)  " "
EOX         1111 0111 (F7h)
    
```

⑩ Bankwechselbefehl

Dieser Befehl wird ausschließlich auf dem MIDI-Kanal der gegenwärtigen Bank empfangen. Als Antwort hierauf wählt das FX770 dann die gewünschte Bank an.

```

status      1111 0000 (F0h)
ID #        0100 0011 (43h)
SUB STATUS  0000 nnnn      nnnn = channel # *1
FORMAT #    0111 1110 (7Ch)
byte count  0000 0000 (00h)
            0000 1101 (0Dh)
header      0100 1100 (4Ch)  "L"
            0100 1101 (4Dh)  "M"
            0010 0000 (20h)  " "
            0010 0000 (20h)  " "
            0011 1000 (38h)  "8"
            0100 0001 (41h)  "A"
            0011 0010 (32h)  "2"
            0011 0000 (30h)  "0"
data name   0101 0101 (55h)  "U"
            0010 0000 (20h)  " "
version #   0000 0001      V1.0
            0000 0000
bank #      0bbb bbbb      *3
check sum   0eee eeee      *10
EOX         1111 0111 (F7h)
    
```

⑪ Programmdaten

Dieses Datenformat entspricht dem Sendebetriebs (Sendeformat, 1 Programmdaten).

⑫ Programmwechselformat

Dieses Datenformat entspricht dem Sendebetriebs (Sendeformat, 2 Daten der Programmwechselformaten).

⑬ Systemdaten

Dieses Datenformat entspricht dem Sendebetriebs (Sendeformat, 3 Systemdaten).

Anmerkungen

*1 Kanalnr.

nnnn	Kanalnr.
0	1
:	:
15	16

*2 Programmnr.

mmm mmmm	Programmnr.
0	0
:	:
99	99

*3 Banknr.

bbb bbbb	Banknr.
1	A
2	B
3	C
4	D
5	E
6	F
7	G

*4 Notennummer

kkkkkkkk = 0 - 127

*5 Anschlagwert

vvvvvvv = 1 - 127

*6 Steuerbefehl

ccccccc = 1 - 31, 64 - 95

*7 Steuerwert

vvvvvvv = 0 ~ 127

*8 Programmnummer

ppp pppp	Programmnummer
0	1
:	:
127	128

*9 Aftertouch-Wert

vvvvvvv = 0 ~ 127

*10 eeeeeee ist eine Zusatzzahl, die durch Multiplikation der unteren 7 Bits des Headers und aller Datenbytes erhalten wird.

8.2 Allgemeine Daten

ELEKTRISCHE EIGENSCHAFTEN

Frequenzgang	20 Hz bis 20 kHz
Dynamikumfang	85 dB
Brummen, Rauschen	-81 dBm
Klirrfaktor	≤ 0,1% @ 1 kHz, max.

EINGANG

Kanäle	1 (Mono)
Nennpegel	-20 dBm
Impedanz	1 MΩ

AUSGANG

Kanäle	2 (stereoausgang)
Nennpegel	-10 dBm
Impedanz	2 kΩ

INSERT SEND

Kanäle	1
Nennpegel	-20 dBm
Impedanz	1 kΩ

INSERT RETURN

Kanäle	1
Nennpegel	-20 dBm
Impedanz	10 kΩ

A/D-WANDLER

A/D	16 Bit
D/A	16 Bit
Samplingfrequenz	44,1 kHz

SPEICHER

Preset-Programm	100 (Prog. Nr. 0 bis 99)
Anwenderprogramm	100 (Prog. Nr. 0 bis 99)

FRONTPLATTE

Schalter	
Tasten	
Regler	
Display, Anzeigen	

POWER
EFFECT × 9
PLAY, EDIT, UTILITY, BYPASS, EFF TYPE, ◀, ▶, STORE
INPUT LEVEL, PRESENCE, OUTPUT LEVEL, DATA ENTRY
16-Stellen × 2LCD, 7-segmente LED × 2, PRESET, USER LED,
EFFECT LED × 9, PLAY, EDIT, UTILITY, BYPASS LED, PEAK,
SIGNAL LED
INPUT

RÜCKPLATTE

Schalter	
Regler	
Buchsen	

METER SELECT, MIDI THRU/OUT
RETURN LEVEL
INSERT SEND, RETURN (Klinkenbuchse × 2)
OUTPUT L (MONO), R (Klinkenbuchse × 2)
FOOT CTRL VOLUME, WAH (Klinkenbuchse × 2)
FOOT SWITCH FS1 (BYPASS), FS2 (Klinkenbuchse × 2)
MIDI IN, THRU/OUT (5 polige DIN × 2)

BETRIEBSSTROM

USA-u. Kanadamodell	: 120V, 60 Hz
Modell für Großbritannien	: 240V, 50 Hz
Universalmodell	: 230V, 50 Hz

LEISTUNGS-AUFNAHME

12W

ABMESSUNGEN (B × H × T)

480 × 45,3 × 336,4 mm

GEWICHT

3,6 kg

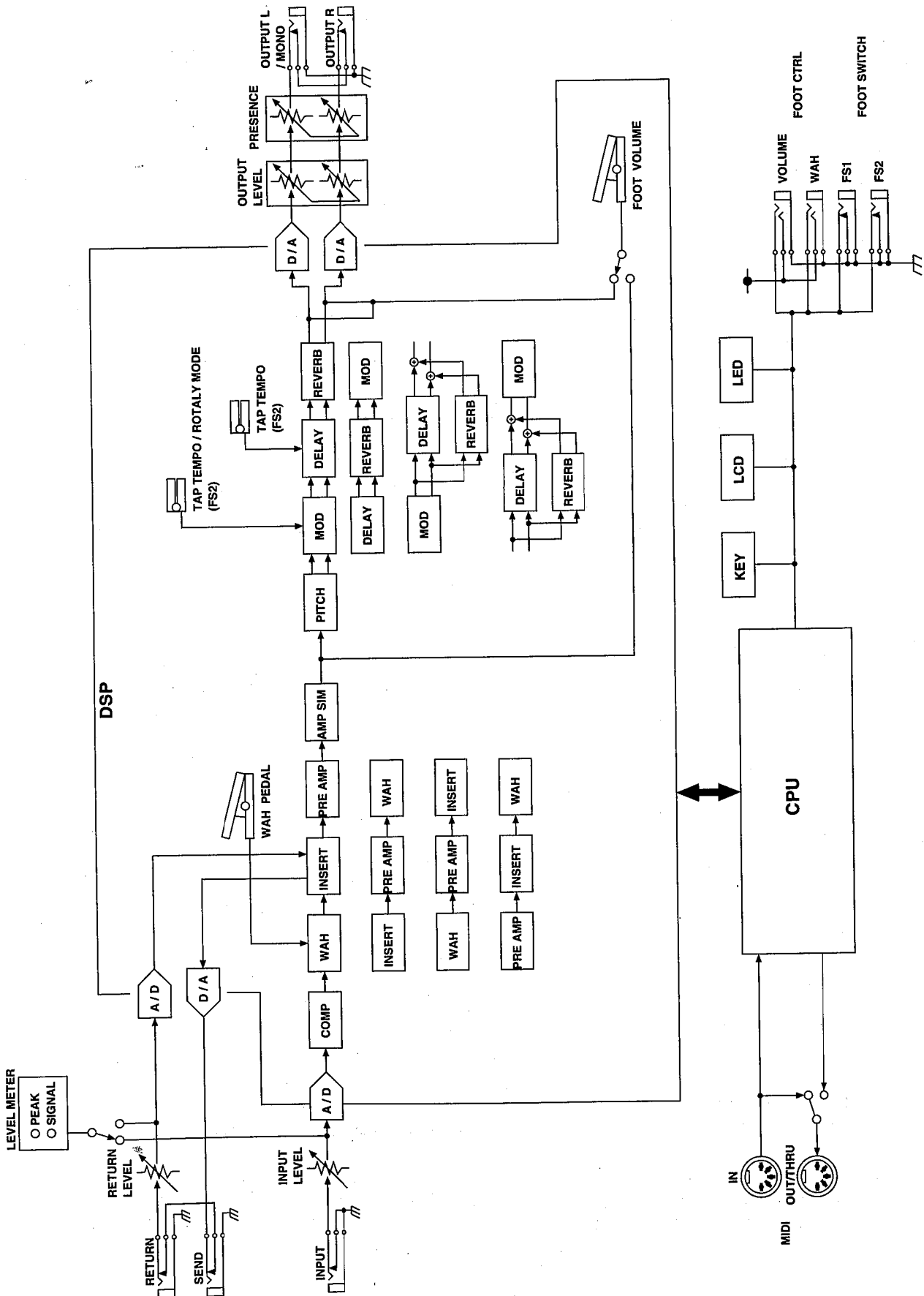
ZUBEHÖR

Aufkleber

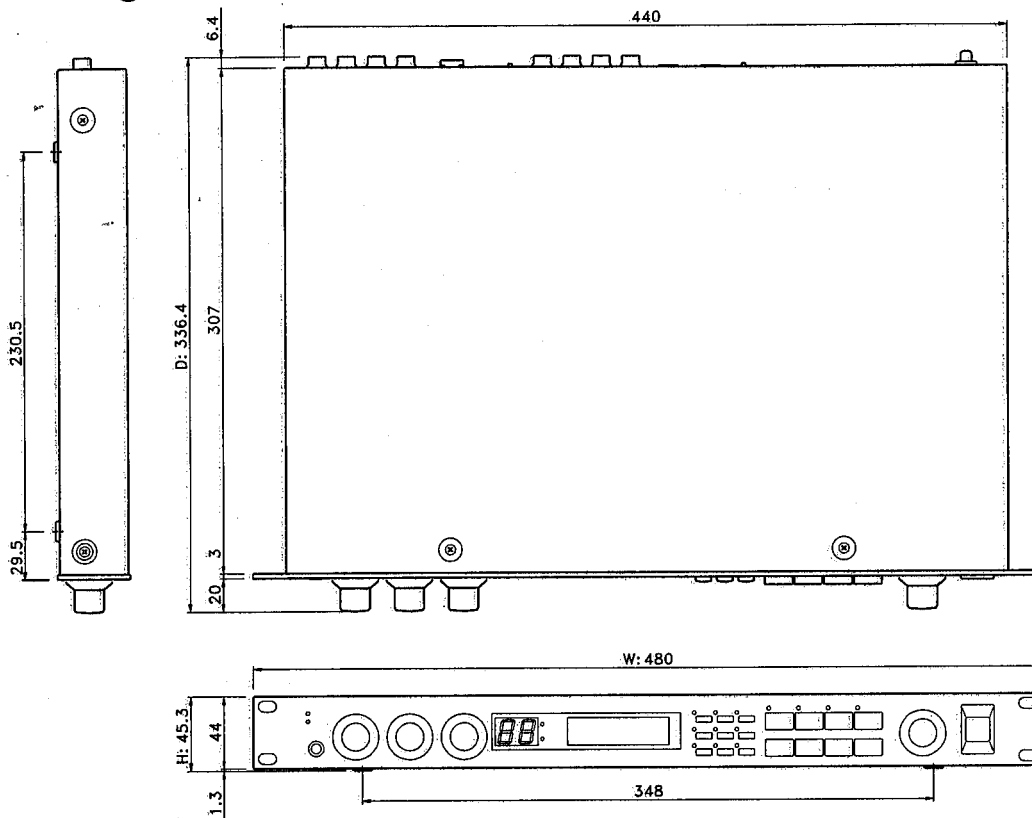
· 0 dB = 0,775 V_{eff}

· Änderungen bei Design und technischen Daten bleiben ohne vorherige Ankündigung vorbehalten.

8.3 Blockschaltbild



8.4 Abmessungen



8.5 Sonderzubehör

MIDI-Fußsteuerung MFC05

Ermöglicht den Abruf von 10 Programmen.

MIDI-Fußsteuerung MFC06

Ermöglicht den Abruf von 5 Programmen und schaltet a5 Effektblocks ein und aus (ON/OFF).

MIDI-Fußsteuerung MFC1

Ermöglicht den direkten Abruf von 8 Programmen, den Abruf von 20 Programmen nacheinander und steuert die Effektparameter durch Anwendung der Steuerungs-Änderungsmittelung.

Fußschalter FC5

Ermöglicht das Ein-/Ausschalten (ON/OFF) des Bypass und Effektblocks, stellt die Nachlaufzeit ein und ruft die Programme nacheinander ab.

Fußsteuerung FC7

Ermöglicht die Einstellung der Lautstärke und "wah".

Lautstärkepedal VP500, VP50ST

Ermöglicht die Einstellung der Lautstärke und "wah". Geeignet für das Spielen im Stehen.

Einsatzkabel I/O YIC025 (2,5 m), YIC050 (5,0 m), YIC070 (7,0 m)

Der Anschluß eines Gitarren-Lautstärkepedals wie das VP500 und VP50ST mit Hilfe dieses Kabels ermöglicht die Einstellung der Lautstärke und "wah".

Fehlersuche

Falls Sie beim Betrieb des FX770 Schwierigkeiten haben, gehen Sie zunächst die folgende Tabelle durch, um zu prüfen, ob sich die Störung möglicherweise schnell beheben läßt.

Symptom	Ursache	Abhilfe	Seite
Kein Ton; unabhängig von der Lautstärke-Einstellung am Gerät	Die von einem angeschlossenen MIDI-Gerät gesendeten MIDI-Daten haben die Lautstärke auf ein Minimum eingestellt.	Senden Sie MIDI-Daten aus, um die Lautstärke vom angeschlossenen MIDI-Gerät zu erhöhen.	Seite 34
	Einer der mit der Lautstärke im Zusammenhang stehenden Effektparameter wurde auf das Minimum eingestellt.	Korrigieren Sie den Parameterwert.	Seiten 37 ~ 63
	Die Störsperre ist zu hoch eingestellt.	Ändern Sie den Wert entsprechend.	Seite 16
Kein Effekt	BYPASS ist aktiviert. (Die Anzeige leuchtet.)	Drücken Sie die [BYPASS]-Taste, um die BYPASS-Funktion aufzuheben.	
	Der Wert des Effektparameters ist ungeeignet.	Korrigieren Sie den Parameterwert.	Seiten 37 ~ 63
Beim Abrufen eines Programms wird auf dem LCD "NO DATA" angezeigt	Das Gerät empfängt über MIDI ein ungeeignetes Programm.	Senden Sie die geeigneten Programmdaten, gestalten Sie das Programm um oder kopieren Sie ein richtiges Programm.	

Programmtabelle

Program No. _____

COMP		ON/OFF	TYPE	ATK	SUS	LVL	Title					
WAH	ON/OFF	TYPE	CTRL	SEN	PNT	SPD	RES	POSITION				
	ON/OFF	TYPE	DRV	MVL	BAS	MID	TRB	PRS	TYP	FIL		
PRE AMP	ON/OFF	TYPE	USER TONE	BAS-FRQ	BAS-Q	MID-FRQ	MID-Q	TRB-FRQ	TRB-Q			
			PrEQ-FRQ	PrEQ-GAI	PrEQ-Q	PsEQ-FRQ	PsEQ-GAI	PsEQ-Q				
INSERT	ON/OFF	INSERT POINT										
AMP SIM	ON/OFF	CHR	DEP	DI								
	ON/OFF	TYPE	PCL	PFL	VoL	PCR	PFR	VoIR				
PITCH	ON/OFF	TYPE	•SPI	WID	MIX	LVL	DLY	FIL	KEY			
			•PCH	DEP	MIX	LVL	DLY	FIL				
MOD	ON/OFF	TYPE	SPD	PMD	AMD	WID	MIX	LVL	DLY	LFO	FIL	
	•CHO	SPD	DEP	DLY	FB	WID	MIX	LVL	LFO	FIL		
	•FLG	SPD	DEP	WID	MIX	LVL	DLY	FIL				
	•SYM	MODE	MIX	LVL	SLOW	FAST	RATE	FIL				
	•ROT	TEMPO	NOTE	DEP	MIX	LVL	TRG	DIR	LFO	FIL		
	•PAN	TEMPO	NOTE	DEP	MIX	LVL	TRG	LFO	FIL			
	•TRM	SEN	RES	MODE	MIX	LVL	FIL					
DELAY	ON/OFF	TYPE	DLY	FB	MIX	LVL	DEF	L/R	HF			
	•DL1	DLYL	DLYR	FBD	FB	MIX	LVL	L/R	HF			
	•DL2	DLY	FB	SPD	DEP	MIX	LVL	HF				
	•MDL	TEMPO	NOTE	FB	MIX	LVL	TRG	DEF	L/R	HF		
	•TD1	TEMPO	NOTE	NOTER	NOTEF	FB	MIX	LVL	TRG	L/R		
	•TD2	HF										
	•TMD	TEMPO	NOTE	FB	SPD	DEP	MIX	LVL	TRG	HF		
	•MTD	DLY1	PAN1	VOL1	DLY2	PAN2	VOL2	DLY3	PAN3	VOL3		
		DLY4	PAN4	VOL4	DLY5	PAN5	VOL5	DLY6	PAN6	VOL6		
		MIX	LVL									
	•DUC	DLY	FB	THR	MIX	LVL	DEF	L/R	HF			
REVERB	ON/OFF	TYPE	RVT	HF	IDLY	MIX	LVL	GATE LVL				

MIDI CONTROL CHANGE		
CTRL1	MIN	MAX
CTRL2	MIN	MAX

VOLUME POSITION
AMP SIM→VOL→PIT
ALL EFFECTS→VOL

PATCH No.

NOISE GATE LEVEL

Note: _____

Function...		Transmitted	Recognized	Remarks
Basic Channel	Default Changed	X X	1 - 16, off 1 - 16, off	Memorized
Mode	Default Messages Altered	X X *****	OMNI off / OMNI on X X	Memorized
Note Number	True Voice	X *****	0 - 127 X	
Velocity	Note ON Note OFF	X X	O X	
After Touch	Keys Ch's	X X	X O	
Pitch Bender		X	X	
	1 - 95	X	O	
Control Change				
Prog Change	:True#	X *****	O 0 - 127	*1
System Exclusive		O	O	Bulk Dump
System Common	:Song Pos :Song Sel :Tune	X X X	X X X	
System Real Time	:Clock :Commands	X X	O X	
Aux Messages	:Local ON/OFF :All Notes OFF :Active Sense :Reset	X X X X	X X O X	

Notes *1: For program 1-128, memory number of FX770 is selected.

YAMAHA